



**POWER
AT WORK**



Product Information

100ft Large Metal Open Reel

OTLP1001512G4SL-US

Features

- » Heavy duty SGCC steel drum with two-tone carry handle
- » Safety thermal breaker with reset button
- » Integrated on/off switch with safety overload
- » Power LED indicator and built-in cord guide

Description

Designed and engineered for longevity, this heavy duty metal reel provides an ideal portable power solution. The steel drum provides reliable protection when in use, transported or stored. Using 100ft 12/3-gauge highly visible orange cable, this range of extension reels provides 4 x 120V sockets (rating of 15A), LED indicator, power switch with safety overload, and a thermal breaker with reset button. The safety thermal breaker reduces the risk of fire due to temperature rise caused by power overload.

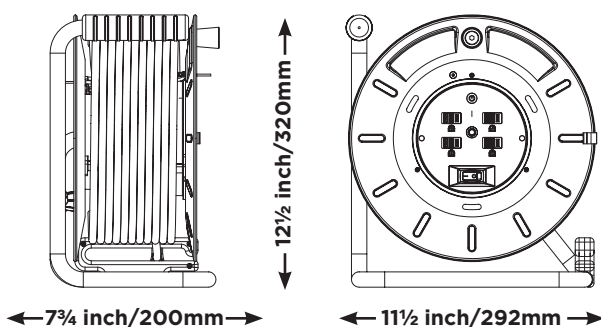
Technical Specifications

Part No	OTLP1001512G4SL-US	Qty	1
Type	Large Metal Open Reel	Shipping Carton Info (m)	H: 0.34 x W: 0.22 x D: 0.31
Cable Type	PVC	CBM (m³)	0.0232
Cable Length (ft)	100ft	G.W (kg)	8.4
Amp	15	EAN Barcode	5015056593050
Product Dimensions (Inch/cm)	H: 12½ x W: 11½ x D: 7¾ H: 32 x W: 29.2 x D: 20		

Standards	UL/CUL
Maximum Load	15A / 1800W / 120V-
Switch specification	15A / 120V-
Max cable length	100ft
Cable Size	12AWG



Line Diagrams



Learn more about extension cords and cables we have.