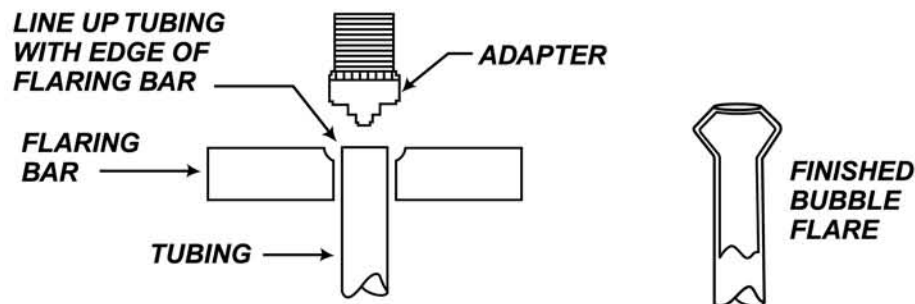




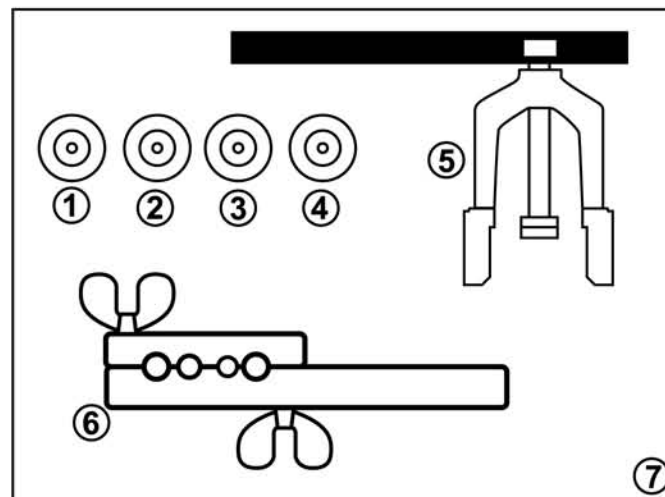
**Mastercool**<sup>®</sup>  
"World Class Quality"

# 71100 METRIC BUBBLE FLARING KIT



## FLARING

1. Attach the proper sized adapter onto the yoke.
2. Loosen the two wing nuts on the flaring bar.
3. Squarely cut a piece of tubing and remove any burrs. Chamfer the outside edge with an ordinary file. REAM THE TUBING SO THE ADAPTER FITS FREELY!
4. Insert the tubing into the proper sized hole, The tubing should be even with the top edge of the flaring bar.
5. Tighten the wing nut closest to the tube first, then tighten the other one. The wing nut must be securely tightened so there is no chance of the tube slipping.
6. Slide the yoke over the bar and line up the flaring adapter with the tubing.
7. Slightly turn the yoke clockwise to lock into place. Secure this locked position with the thumb and forefinger.
8. Screw down the adapter until it engages with the tubing. MAKE SURE THE ADAPTER IS CENTERED IN THE TUBING. If so, begin screwing down the adapter until the ridge of the adapter rests on the flaring bar.



## PART NUMBERS

- |                           |                                 |
|---------------------------|---------------------------------|
| 1. 71101-1 (4.75 mm)      | } 71101<br>Set of<br>4 Adapters |
| 2. 71101-2 (6 mm)         |                                 |
| 3. 71101-3 (8 mm)         |                                 |
| 4. 71101-4 (10 mm)        |                                 |
| 5. 70353 (Yoke)           |                                 |
| 6. 71102 (Bar)            |                                 |
| 7. 71100-PB (Plastic Box) |                                 |



*Wear Safety Goggles  
When Using This Tool!*

Learn more about hand tools on our website.