

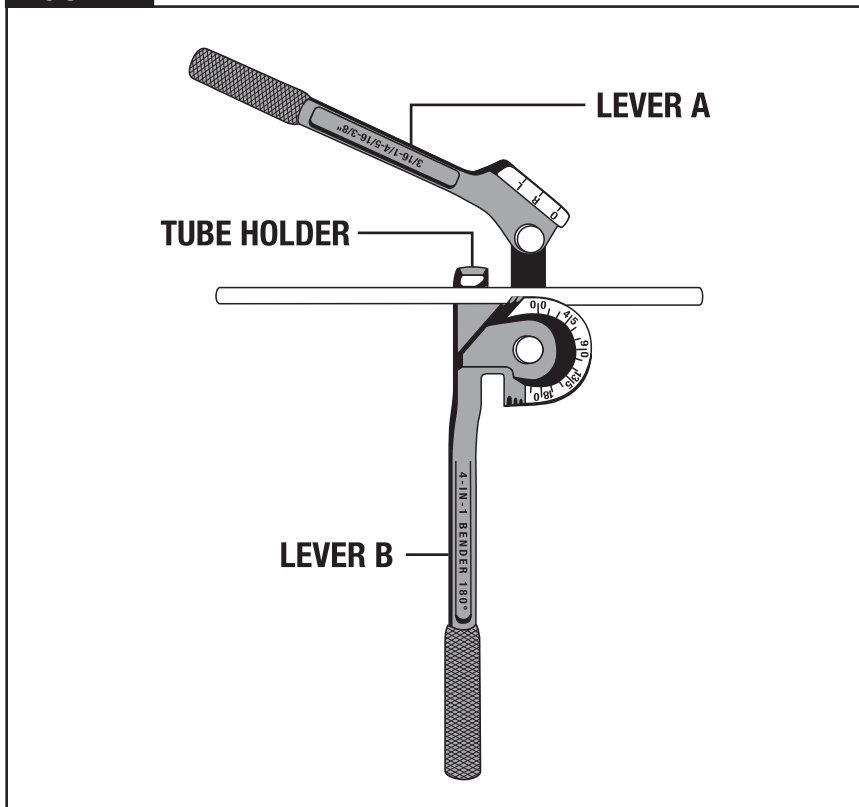
4-IN-1 TUBE BENDER

The **4-IN-1 Tube Bender** allows accurate centerline and offset bends for most 3/16, 1/4, 5/16 and 3/8" O.D. tubing, including 4, 6 and 8mm. By simply closing the lever you can obtain precision bends.

OPERATING INSTRUCTIONS

1. Lift **LEVER A** (*Fig. 1*).
2. Position tubing in one of the three grooves. When bending metric or non-standard tubing, use the groove that most closely matches the tube's diameter. To bend 3/16" or 4mm O.D. tubing, use the 1/4" groove (smallest) on **LEVER B**.
3. Lower **LEVER A**.
4. Pull **LEVER A** towards **LEVER B** until the desired bend is achieved.

FIGURE 1



MAKING 45° AND OFFSET BENDS

1. From the end of the tubing, measure the desired length and mark the tube (*Fig. 2*).
2. Place tube in the corresponding groove of **LEVER B**. Line up the mark on your tubing with the **0/0** degree mark on **LEVER B**.
3. Line up the **0** degree mark on **LEVER A** with the **0/0** degree mark on **LEVER B**.
4. Pull **LEVER A** towards **LEVER B** until the **0** degree mark on **LEVER A** is even with the **45** degree mark on **LEVER B**.
5. For offset bends, start at the **0** degree mark on **LEVER A** and the **0/0** degree mark on **LEVER B**. Close **LEVER A** to the desired degree mark.

MAKING 90°-180° BENDS

1. From the end of the tubing, measure the desired length and mark the tube (*Fig. 2*).
2. Place tube in the corresponding groove of **LEVER B**. If the end from which you measured is on the left side of the tube holder, line up the mark on your tubing with the **"L"** mark on **LEVER A**. If the end from which you measured is on the right side of the tube holder, line up the mark on your tubing with the **"R"** on **LEVER A**.
3. Pull **LEVER A** towards **LEVER B** until the **0** degree mark on **LEVER A** is even with the desired degree mark on **LEVER B**.

FIGURE 2

