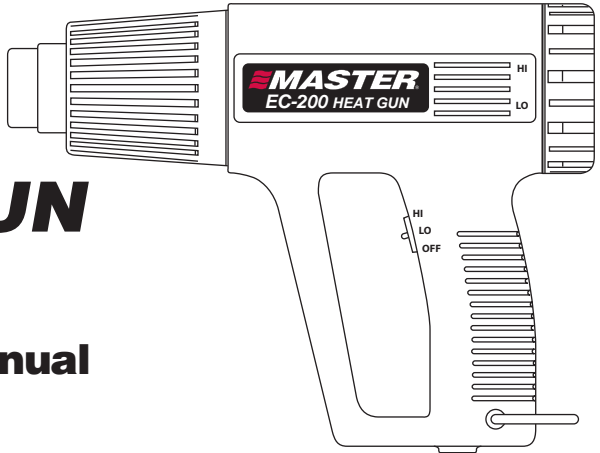


EC-200 HEAT GUN

PISTOLET THERMIQUE

Instruction Manual



EC-200K HEAT GUN KIT

Please read, understand and keep this manual for future reference.



Important Safety Instructions


The EC-200 is a lightweight, ergonomic heat gun with variable temperature settings between 110°F and 930°F. It is well-suited for a wide variety of DIY, hobbyist and homeowner projects, as well as automotive and industrial applications.

To reduce the risk of fire or explosion, electric shock or injury to persons, read and understand all instructions included in this manual. Be familiar with the controls and proper usage of equipment.




Indicates a hazardous situation, if not avoided could result in death or serious injury. Important Safety Information • Read all safety information before operating equipment. Save these instructions.

IMPORTANT SAFETY INSTRUCTION


 **WARNING** This heat gun produces extreme high temperatures (as high as 930°F). It must be used with caution to prevent combustible materials from igniting.

- **With a heat gun, as with all other heat tools, keep a fire extinguisher handy** and observe all sensible fire precautions.
- **Keep gun in constant motion.** Do not stop or dwell in one spot.
- **Use extreme caution if the other side of the material being scraped is not accessible,** such as house siding. The hidden side could catch fire if it becomes too hot. Some buildings contain highly flammable materials behind siding, floors, fascia, soffit boards and other panels. Check these areas before applying heat and do not use a heat tool if flammable materials are present or if you are unsure of the hidden material.
- **Do not use near surfaces with cracks or near metal pipes or flashing.** Heat may be conducted behind the work surface and ignite hidden material. The ignition of hidden materials may not be readily apparent and can result in property damage and injury.
- **Do not use electric tool in the presence of flammable liquids or gases.**
- **Do not use near combustible materials** such as dry grass, leaves and paper which can scorch and catch fire.
- **The nozzle becomes very hot.** Do not lay the heat gun on flammable surfaces when operating the gun or immediately after shutting the gun off. Always set the heat gun on a flat surface so that the nozzle tip is directed upward and away from the supporting surface.
- **Do not touch the nozzle** until the tool has cooled.
- **Do not use the gun as a hair dryer.**
- **Tools and paint scrapings become very hot.** To avoid burns, use work gloves when scraping.
- **Always treat the hot air units with the same respect as an open flame.**
- **Do not work in wet areas or expose the heat gun to rain.**
- **Guard against electric shock by preventing body contact with grounded surfaces** such as pipes, radiators, ranges, aluminum ladders or other grounded devices.
- **Do not abuse the electric cord.** Never carry the heat gun by the cord or yank on the cord to disconnect it from the power supply. Keep the electric cord away from heat, oil and sharp edges.
- **Use extension cord rated for outdoor use.** If an extension cord is damaged or otherwise unsuitable for use, replace it with a new cord.
- **Not intended for use by young children or infirm persons without supervision.**

- **This heat gun has a polarized plug (one blade is wider than the other).** To reduce the risk of electric shock, this plug is intended to fit in a polarized outlet only one way. If the plug does not fully fit into the outlet, reverse the plug and try again. If it still does not fit, contact a qualified electrician. Do not modify the plug in any way.
- **Disconnect heat gun from power supply when not in use.** Store indoors in a dry place and out of reach of children.
- **Keep work area well lighted and clean.**
- **Do not overreach, especially when working on ladders.** Keep proper footing and balance at all times. Be certain ladders being used are sturdy, stable and on a firm surface and erected at a safe working angle.
- **Avoid power lines.**
- **Keep movable items secure and steady while scraping.**
- **Always use protective eyewear when working.**
- **If the gun stops during use or does not turn on, disconnect from power source.** Internal thermostat may be preventing heat gun from running. Allow gun to cool for 30 minutes and try again. If heat gun still does not operate, disconnect from power source and have it serviced by an authorized service personnel.
- **To reduce the risk of fire or electric shock, disconnect from power source when heat gun stops running or does not turn on.**
- **Stay alert and use common sense when operating any tools.**

 **WARNING** This product when used for soldering and similar application, can expose you to LEAD, which is known to the State of California to cause cancer and birth defects and other reproductive harm.

PERSONS REMOVING PAINT SHOULD FOLLOW THESE GUIDELINES:

 **WARNING** Extreme care should be taken when stripping paint. The peelings, residue and vapors of paint may contain lead, which is poisonous. Any paint applied before 1950 is likely to contain lead. Any paint manufactured before 1977 may contain lead. Once the paint is deposited on the surface, hand-to-mouth contact can result in the ingestion of lead. Exposure to even low levels of lead can cause irreversible brain and nervous system damage. Young and unborn children are particularly vulnerable to lead poisoning.

Before beginning any paint removal process, you should determine whether the paint you are removing contains lead. This can be done by your local health department or by a professional who uses a paint analyzer to check the lead content of the paint to be removed. **LEAD-BASED PAINT SHOULD ONLY BE REMOVED BY A PROFESSIONAL AND SHOULD NOT BE REMOVED USING A HEAT GUN.**

- **Use caution when operating the hot air gun.** Keep the hot air gun moving as excessive heat will generate fumes which can be inhaled by the operator.
- **Keep food and drink out of the work area.** Wash hands, arms and face and rinse mouth before eating or drinking. Do not smoke or chew gum or tobacco in the work area.
- **Move the work piece outdoors.** If this is not possible, keep the work area well ventilated. Open the windows and put an exhaust fan in one of them. Be sure the fan is moving the air from inside to outside.
- **Remove or cover any carpets, rugs, furniture, clothing, cooking utensils and air ducts.**
- **Place drop cloths in the work area to catch any paint chips or peelings.** Wear protective clothing such as extra work shirts, overalls and hats.




Important Safety Information • Read all safety information before operating equipment. Save these instructions

Important Safety Instructions

- **Work in one room at a time.** Furnishings should be removed or placed in the center of the room and covered. Work areas should be sealed off from the rest of the dwelling by sealing doorways with drop cloths.
- **Children, pregnant or potentially pregnant women and nursing mothers should not be present in the work area until the work is done and all cleanup is complete.**
- **Wear a dust respirator or a dual filter (dust and fume) respirator mask** which has been approved by the Occupational Safety and Health Administration (OSHA), the National Institute of Safety and Health (NIOSH), or the United States Bureau of Mines. These masks and replaceable filters are readily available at major hardware stores. Be sure the mask fits. Beards and facial hair may keep masks from sealing properly. Change filters often. **DISPOSABLE PAPER MASKS ARE NOT ADEQUATE.**
- **Clean up all removed paint and dust by wet mopping the floors.** Use a wet cloth to clean all walls, sills and any other surface where paint or dust is clinging. **DO NOT SWEEP, DRY DUST OR VACUUM.** Use a high phosphate detergent or trisodium phosphate (TSP) to wash and mop areas.
- **At the end of each work session put the paint chips and debris in a double plastic bag,** close it with tape or twist ties, and dispose of properly.
- **Remove protective clothing and work shoes in the work area** to avoid carrying dust into the rest of the dwelling. Wash work clothes separately. Wipe shoes off with a wet rag that is then washed with the work clothes. Wash hair and body thoroughly with soap and water.

Stripping Paint

- 1) To strip paint, turn unit on and hold it about 1 inch from the surface being stripped. Proper distance and speed of stripping should be determined by experience. It is an advantage to hold the gun further from the surface and to move forward slowly. Slower speed is compensated by the wider softened areas. Heat will also penetrate deeper.
- 2) Outlet temperature can be regulated by the dial at the back of the heat gun. Experiment to see which setting gives the best results with the paint you are stripping.
- 3) As paint begins to blister and bubble, move gun slowly in a steady progression across the surface. Follow closely with a scraping knife (a 2-inch wall scraper works best) to scrape the loosened paint. Preheat scraper as you are heating the paint surface. This increases the speed of paint stripping.
 - a. Removal of paint by using heat is based on the fact that all organic paints soften at elevated temperatures. When soft, the paint can be easily lifted off without damage to the surface.
 - b. When stripping paint from grooves in moldings, you can devise your own scraping tools. Old screwdrivers with ground-down blades and linoleum knives are often used.
- 4) When the task is completed, move slider switch to "Off" position. This will allow heat gun to cool down and the nozzle to become cool to the touch. Disconnect from power source.

 **WARNING:** Do not thaw plastic pipes. Do not use heat gun on surfaces that can be damaged by heat, such as vinyl siding, window and door frames. Always consider the suitability of the material being heated.

TO OPERATE HEAT GUN

1. Plug heat gun into properly rated outlet.
2. Move slider switch to Lo or Hi fan speed.
3. Rotate the adjustment dial at the back of the gun to the desired temperature setting.
4. To turn heat gun off after use, move the slider switch to the "Off" position. This will allow the heat gun to cool down and the nozzle to become cool to the touch. Disconnect from power source.



NOTICE: Users should independently evaluate the suitability of the product for their application.

⚠ WARNING This heat gun is protected by a self-resetting thermostat. If the heat gun does not run, turn switch to "off", unplug the unit for 30 minutes to cool, allowing the thermostat to reset, then follow operating instructions to use.

⚠ WARNING To Reduce the Risk Of Fire or Electric Shock, Do Not Expose To Rain Or Moisture. Store Indoors; Read Instruction Manual Before Using.

TROUBLESHOOTING

SYMPTOM	CAUSE	SOLUTION
Fan does not run and no heat	Unit is not plugged in	Plug in unit
	Internal thermostat has tripped	Turn switch to "Off" position, unplug from outlet, wait 30 minutes then try again. If heat gun still does not operate, disconnect from power supply and have gun serviced by authorized service personnel.
Fan only blows cool air	Temperature dial is set too low	Rotate temperature dial at back of gun



Important Safety Information • Read all safety information before operating equipment. Save these instructions