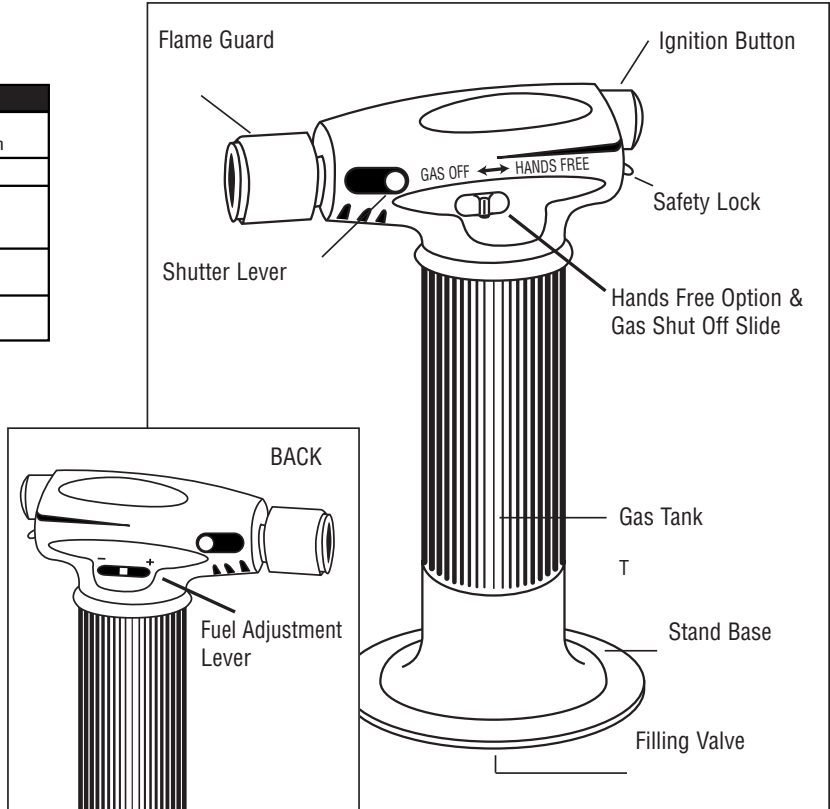


Master Model MT-51 Microtorch

SPECIFICATIONS:	
SIZE	6.1" (L) x 3" (W) x 1.3" (D) 155 mm x 76 mm x 33 mm
WEIGHT	6.1 oz / 175 g (empty)
NONSTOP RUN TIME	120 minutes
FLAME TEMP.	Approx. 2500 °F, 1300 °C (blue flame)
FUEL CAPACITY	5/8 oz. / 20 ml

MT-51 IS SHIPPED WITHOUT FUEL.

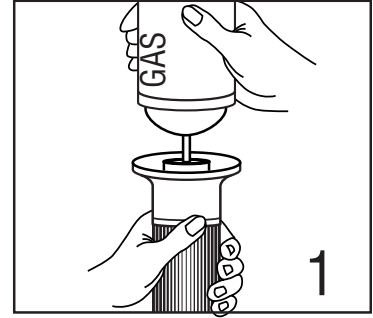


INSTRUCTIONS

THE MT-51 MICROTORCH DOES NOT CONTAIN BUTANE GAS WHEN PURCHASED

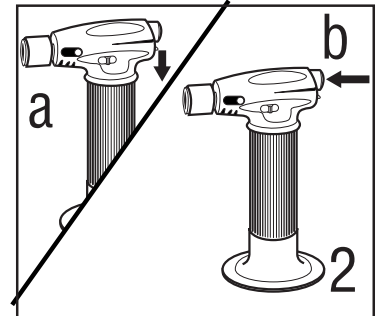
GAS REFILLING

- Use only Master Ultratane™ Butane Fuel.
- Make sure unit is OFF and nozzle is cool.
- Insert the container nozzle vertically down into the gas refill opening. Use a pumping action for best results (Figure 1).
- After filling allow a few minutes for the gas to stabilize.



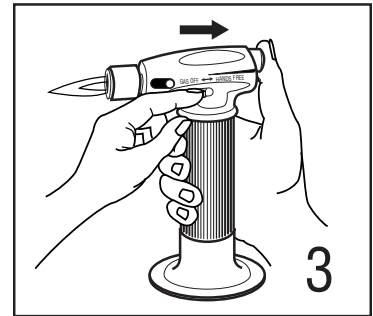
LIGHTING

- Push down Safety Lock until it clicks (Figure 2a).
- Press “Ignition Button” - the flame will ignite instantly (Figure 2b). When you remove pressure from the ignition button, unit will shut off instantly.
- For Hands Free Mode: Push Hands Free slide switch toward back of unit while depressing trigger (Figure 3). To shut off unit, return slide switch to “OFF” position.



TEMPERATURE ADJUSTMENT

- Adjust the torch flame by sliding the Fuel Adjustment Lever forward or backward. Adjust the flame to approximately 1/2 to 1 inch (10-25mm) in length when using. Forward gives you a longer broad flame, backward gives you a shorter flame. (Figure 4)

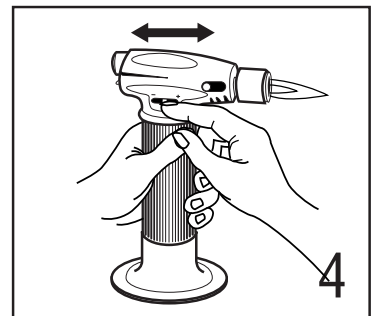


GAS SHUT OFF FOR STORAGE

- To prevent gas leakage make sure Hands Free/Gas Shut Off slide is returned completely to “OFF” position.

CAUTION:

1. Keep out of reach of children.
2. Do not touch flame guard when hot!
3. Butane gas is extremely flammable, please handle with care.
4. Always point away from eyes and body when igniting or operating.
5. Do not store under direct sunlight or anywhere that will exceed 104°F/40°C.
6. Do not continue use of this tool for longer than one hour.
7. After using, let the tool cool down before storing.



WARNING: This product, when used for soldering and similar applications, produces chemicals known to the state of California to cause cancer and birth defects or other reproductive harm.

WARNING: The Department of Transportation Hazardous Material Regulations forbid carriage of butane or other flammable gas products on passenger aircraft. Do not pack this item or any other flammable gas item, in any checked or carry-on baggage.

Contains flammable gas under pressure. Do not use near sparks or open flame. Do not puncture or incinerate container or store at temperatures above 120°F. Keep out of reach of children.

