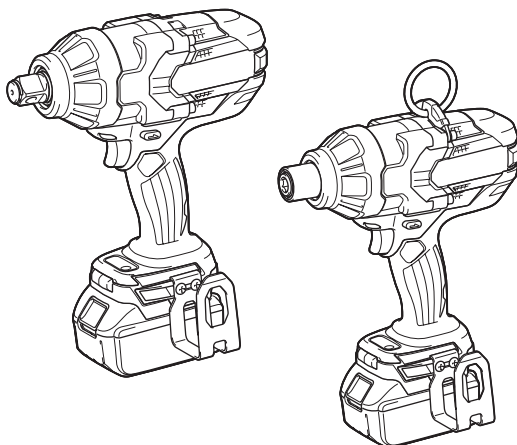


INSTRUCTION MANUAL



Cordless Impact Wrench

XWT07
XWT08
XWT09
XWT07XV
XWT08XV
XWT09XV



IMPORTANT: Read Before Using.

SPECIFICATIONS

Model:		XWT07 / XWT07XV	XWT08 / XWT08XV	XWT09 / XWT09XV		
Fastening capacities	Standard bolt	M12 - M30 (1/2" - 1-1/4")		M12 - M24 (1/2" - 1")		
	High tensile bolt	M10 - M24 (3/8" - 1")		M10 - M22 (3/8" - 7/8")		
Square drive		19 mm (3/4")	12.7 mm (1/2")	-		
Drive shank		-		11.1 mm (7/16") Hex.		
No load speed (RPM)	Hard impact mode	0 - 1,800 /min				
	Medium impact mode	0 - 1,000 /min				
	Soft impact mode	0 - 900 /min				
Impacts per minute	Hard impact mode	0 - 2,200 /min				
	Medium impact mode	0 - 2,000 /min				
	Soft impact mode	0 - 1,800 /min				
Overall length	229 mm (9")					
Rated voltage	D.C. 18 V					
Standard battery cartridge	BL1815N, BL1820, BL1820B	BL1830, BL1830B, BL1840, BL1840B, BL1850, BL1850B, BL1860B	BL1815N, BL1820, BL1820B	BL1830, BL1830B, BL1840, BL1840B, BL1850, BL1850B, BL1860B	BL1815N, BL1820, BL1820B	BL1830, BL1830B, BL1840, BL1840B, BL1850, BL1850B, BL1860B
Net weight	3.4 kg (7.6 lbs)	3.7 kg (8.1 lbs)	3.3 kg (7.3 lbs)	3.6 kg (7.9 lbs)	3.4 kg (7.6 lbs)	3.7 kg (8.1 lbs)

- Due to our continuing program of research and development, the specifications herein are subject to change without notice.
- Specifications and battery cartridge may differ from country to country.
- Weight, with battery cartridge, according to EPTA-Procedure 01/2003

General power tool safety warnings

⚠ WARNING: Read all safety warnings and all instructions. Failure to follow the warnings and instructions may result in electric shock, fire and/or serious injury.

Save all warnings and instructions for future reference.

The term "power tool" in the warnings refers to your mains-operated (corded) power tool or battery-operated (cordless) power tool.

Work area safety

1. **Keep work area clean and well lit.** Cluttered or dark areas invite accidents.
2. **Do not operate power tools in explosive atmospheres, such as in the presence of flammable liquids, gases or dust.** Power tools create sparks which may ignite the dust or fumes.
3. **Keep children and bystanders away while operating a power tool.** Distractions can cause you to lose control.

Electrical Safety

1. **Power tool plugs must match the outlet. Never modify the plug in any way. Do not use any adapter plugs with earthed (grounded) power tools.** Unmodified plugs and matching outlets will reduce risk of electric shock.
2. **Avoid body contact with earthed or grounded surfaces, such as pipes, radiators, ranges and refrigerators.** There is an increased risk of electric shock if your body is earthed or grounded.
3. **Do not expose power tools to rain or wet conditions.** Water entering a power tool will increase the risk of electric shock.
4. **Do not abuse the cord. Never use the cord for carrying, pulling or unplugging the power tool. Keep cord away from heat, oil, sharp edges or moving parts.** Damaged or entangled cords increase the risk of electric shock.
5. **When operating a power tool outdoors, use an extension cord suitable for outdoor use.** Use of a cord suitable for outdoor use reduces the risk of electric shock.
6. **If operating a power tool in a damp location is unavoidable, use a ground fault circuit interrupter (GFCI) protected supply.** Use of a GFCI reduces the risk of electric shock.

Personal Safety

1. **Stay alert, watch what you are doing and use common sense when operating a power tool. Do not use a power tool while you are tired or under the influence of drugs, alcohol or medication.** A moment of inattention while operating power tools may result in serious personal injury.
2. **Use personal protective equipment. Always wear eye protection.** Protective equipment such as a dust mask, non-skid safety shoes, hard hat or hearing protection used for appropriate conditions will reduce personal injuries.
3. **Prevent unintentional starting. Ensure the switch is in the off-position before connecting to power source and/or battery pack, picking up or carrying the tool.** Carrying power tools with your finger on the switch or energising power tools that have the switch on invites accidents.
4. **Remove any adjusting key or wrench before turning the power tool on.** A wrench or a key left attached to a rotating part of the power tool may result in personal injury.
5. **Do not overreach. Keep proper footing and balance at all times.** This enables better control of the power tool in unexpected situations.
6. **Dress properly. Do not wear loose clothing or jewellery. Keep your hair, clothing, and gloves away from moving parts.** Loose clothes, jewellery or long hair can be caught in moving parts.
7. **If devices are provided for the connection of dust extraction and collection facilities, ensure these are connected and properly used.** Use of dust collection can reduce dust-related hazards.

Power tool use and care

1. **Do not force the power tool. Use the correct power tool for your application.** The correct power tool will do the job better and safer at the rate for which it was designed.
2. **Do not use the power tool if the switch does not turn it on and off.** Any power tool that cannot be controlled with the switch is dangerous and must be repaired.
3. **Disconnect the plug from the power source and/or the battery pack from the power tool before making any adjustments, changing accessories, or storing power tools.** Such preventive safety measures reduce the risk of starting the power tool accidentally.
4. **Store idle power tools out of the reach of children and do not allow persons unfamiliar with the power tool or these instructions to operate the power tool.** Power tools are dangerous in the hands of untrained users.
5. **Maintain power tools. Check for misalignment or binding of moving parts, breakage of parts and any other condition that may affect the power tool's operation. If damaged, have the power tool repaired before use.** Many accidents are caused by poorly maintained power tools.
6. **Keep cutting tools sharp and clean.** Properly maintained cutting tools with sharp cutting edges are less likely to bind and are easier to control.

7. **Use the power tool, accessories and tool bits etc. in accordance with these instructions, taking into account the working conditions and the work to be performed.** Use of the power tool for operations different from those intended could result in a hazardous situation.

Battery tool use and care

1. **Recharge only with the charger specified by the manufacturer.** A charger that is suitable for one type of battery pack may create a risk of fire when used with another battery pack.
2. **Use power tools only with specifically designated battery packs.** Use of any other battery packs may create a risk of injury and fire.
3. **When battery pack is not in use, keep it away from other metal objects, like paper clips, coins, keys, nails, screws or other small metal objects, that can make a connection from one terminal to another.** Shorting the battery terminals together may cause burns or a fire.
4. **Under abusive conditions, liquid may be ejected from the battery; avoid contact. If contact accidentally occurs, flush with water. If liquid contacts eyes, additionally seek medical help.** Liquid ejected from the battery may cause irritation or burns.
5. **Do not use a battery pack or tool that is damaged or modified.** Damaged or modified batteries may exhibit unpredictable behaviour resulting in fire, explosion or risk of injury.
6. **Do not expose a battery pack or tool to fire or excessive temperature.** Exposure to fire or temperature above 130 °C may cause explosion.
7. **Follow all charging instructions and do not charge the battery pack or tool outside the temperature range specified in the instructions.** Charging improperly or at temperatures outside the specified range may damage the battery and increase the risk of fire.

Service

1. **Have your power tool serviced by a qualified repair person using only identical replacement parts.** This will ensure that the safety of the power tool is maintained.
2. **Follow instruction for lubricating and changing accessories.**
3. **Keep handles dry, clean and free from oil and grease.**

Cordless impact wrench safety warnings

1. **Hold the power tool by insulated gripping surfaces, when performing an operation where the fastener may contact hidden wiring.** Fasteners contacting a "live" wire may make exposed metal parts of the power tool "live" and could give the operator an electric shock.
2. **Wear ear protectors.**
3. **Check the impact socket carefully for wear, cracks or damage before installation.**
4. **Hold the tool firmly.**

5. Always be sure you have a firm footing. Be sure no one is below when using the tool in high locations.
 6. The proper fastening torque may differ depending upon the kind or size of the bolt. Check the torque with a torque wrench.
 7. Use auxiliary handle(s), if supplied with the tool. Loss of control can cause personal injury.
 8. Hold the power tool by insulated gripping surfaces, when performing an operation where the cutting accessory may contact hidden wiring. Cutting accessory contacting a "live" wire may make exposed metal parts of the power tool "live" and could give the operator an electric shock.
 9. Keep hands away from rotating parts.
 10. Do not touch the drill bit or the workpiece immediately after operation; they may be extremely hot and could burn your skin.
 11. Some material contains chemicals which may be toxic. Take caution to prevent dust inhalation and skin contact. Follow material supplier safety data.
4. If electrolyte gets into your eyes, rinse them out with clear water and seek medical attention right away. It may result in loss of your eyesight.
 5. Do not short the battery cartridge:
 - (1) Do not touch the terminals with any conductive material.
 - (2) Avoid storing battery cartridge in a container with other metal objects such as nails, coins, etc.
 - (3) Do not expose battery cartridge to water or rain.

A battery short can cause a large current flow, overheating, possible burns and even a breakdown.
 6. Do not store the tool and battery cartridge in locations where the temperature may reach or exceed 50 °C (122 °F).
 7. Do not incinerate the battery cartridge even if it is severely damaged or is completely worn out. The battery cartridge can explode in a fire.
 8. Be careful not to drop or strike battery.
 9. Do not use a damaged battery.
 10. The contained lithium-ion batteries are subject to the Dangerous Goods Legislation requirements.

For commercial transports e.g. by third parties, forwarding agents, special requirement on packaging and labeling must be observed. For preparation of the item being shipped, consulting an expert for hazardous material is required. Please also observe possibly more detailed national regulations.

Tape or mask off open contacts and pack up the battery in such a manner that it cannot move around in the packaging.
 11. Follow your local regulations relating to disposal of battery.


SAVE THESE INSTRUCTIONS.

⚠WARNING: DO NOT let comfort or familiarity with product (gained from repeated use) replace strict adherence to safety rules for the subject product.

MISUSE or failure to follow the safety rules stated in this instruction manual may cause serious personal injury.

Symbols

The followings show the symbols used for tool.

V	volts
— — —	direct current
n _s	no load speed
... /min r /min	revolutions or reciprocation per minute
	number of blow

Important safety instructions for battery cartridge

1. Before using battery cartridge, read all instructions and cautionary markings on (1) battery charger, (2) battery, and (3) product using battery.
2. Do not disassemble battery cartridge.
3. If operating time has become excessively shorter, stop operating immediately. It may result in a risk of overheating, possible burns and even an explosion.
1. Charge the battery cartridge before completely discharged. Always stop tool operation and charge the battery cartridge when you notice less tool power.
2. Never recharge a fully charged battery cartridge. Overcharging shortens the battery service life.
3. Charge the battery cartridge with room temperature at 10 °C - 40 °C (50 °F - 104 °F). Let a hot battery cartridge cool down before charging it.
4. Charge the battery cartridge if you do not use it for a long period (more than six months).

SAVE THESE INSTRUCTIONS.

⚠CAUTION: Only use genuine Makita batteries. Use of non-genuine Makita batteries, or batteries that have been altered, may result in the battery bursting causing fires, personal injury and damage. It will also void the Makita warranty for the Makita tool and charger.

Tips for maintaining maximum battery life

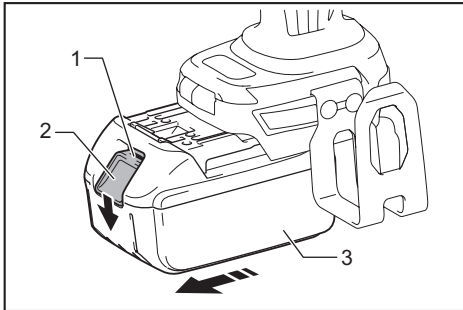
FUNCTIONAL DESCRIPTION

CAUTION: Always be sure that the tool is switched off and the battery cartridge is removed before adjusting or checking function on the tool.

Installing or removing battery cartridge

CAUTION: Always switch off the tool before installing or removing of the battery cartridge.

CAUTION: Hold the tool and the battery cartridge firmly when installing or removing battery cartridge. Failure to hold the tool and the battery cartridge firmly may cause them to slip off your hands and result in damage to the tool and battery cartridge and a personal injury.



► 1. Red indicator 2. Button 3. Battery cartridge

To remove the battery cartridge, slide it from the tool while sliding the button on the front of the cartridge.

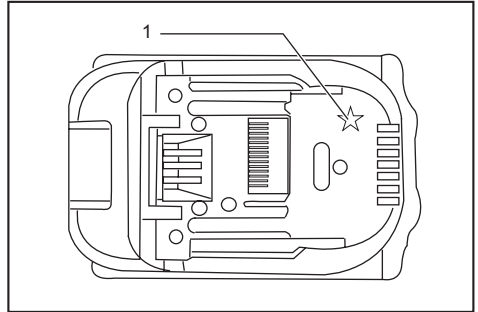
To install the battery cartridge, align the tongue on the battery cartridge with the groove in the housing and slip it into place. Insert it all the way until it locks in place with a little click. If you can see the red indicator on the upper side of the button, it is not locked completely.

CAUTION: Always install the battery cartridge fully until the red indicator cannot be seen. If not, it may accidentally fall out of the tool, causing injury to you or someone around you.

CAUTION: Do not install the battery cartridge forcibly. If the cartridge does not slide in easily, it is not being inserted correctly.

Battery protection system

Lithium-ion battery with star marking



► 1. Star marking

Lithium-ion batteries with a star marking are equipped with a protection system. This system automatically cuts off power to the tool to extend battery life.

The tool will automatically stop during operation if the tool and/or battery are placed under one of the following conditions:

Overloaded:

The tool is operated in a manner that causes it to draw an abnormally high current.

In this situation, turn the tool off and stop the application that caused the tool to become overloaded. Then turn the tool on to restart.

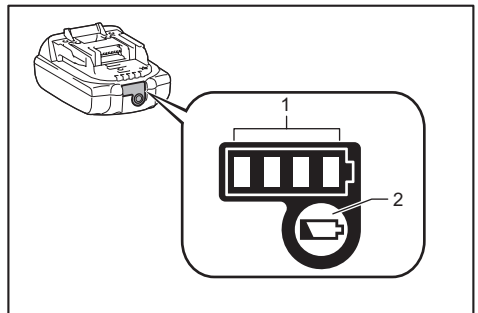
If the tool does not start, the battery is overheated. In this situation, let the battery cool before turning the tool on again.

Low battery voltage:

The remaining battery capacity is too low and the tool will not operate. In this situation, remove and recharge the battery.

Indicating the remaining battery capacity

Only for battery cartridges with the indicator



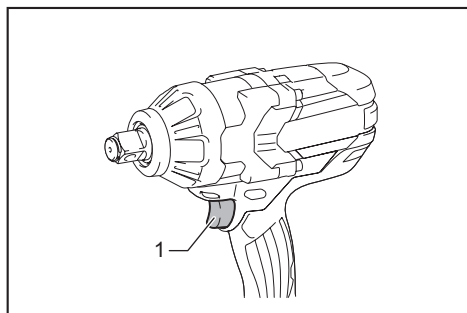
► 1. Indicator lamps 2. Check button

Press the check button on the battery cartridge to indicate the remaining battery capacity. The indicator lamps light up for a few seconds.

Indicator lamps			Remaining capacity
Lighted	Off	Blinking	
■	□	▧	75% to 100%
■ ■ ■ ■			50% to 75%
■ ■	□ □		25% to 50%
■	□ □ □ □		0% to 25%
▧	□ □ □ □		Charge the battery.
■ ■ □ □	□ □		The battery may have malfunctioned.
□ □	■ ■	↑ ↓	

NOTE: Depending on the conditions of use and the ambient temperature, the indication may differ slightly from the actual capacity.

Switch action



► 1. Switch trigger

CAUTION: Before installing the battery cartridge into the tool, always check to see that the switch trigger actuates properly and returns to the "OFF" position when released.

To start the tool, simply pull the switch trigger. Tool speed is increased by increasing pressure on the switch trigger. Release the switch trigger to stop.

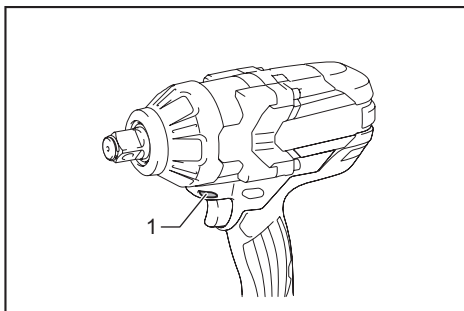
NOTE: The tool automatically stops if you keep pulling the switch trigger for about 6 minutes.

Electric brake

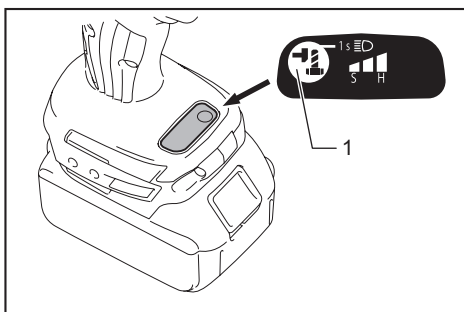
This tool is equipped with an electric brake. If the tool consistently fails to quickly stop after the switch trigger is released, have the tool serviced at a Makita service center.

Lighting up the front lamp



CAUTION: Do not look in the light or see the source of light directly.



► 1. Lamp



► 1. Button

To turn on the lamp status, press the button  for one second. To turn off the lamp status, press the button  for one second again.

With the lamp status ON, pull the switch trigger to turn on the lamp. To turn off, release it. The lamp goes out approximately 10 seconds after releasing the switch trigger.

With the lamp status OFF, the lamp does not turn on even if pulling the trigger.

NOTE: To confirm the lamp status, pull the trigger. When the lamp lights up by pulling the switch trigger, the lamp status is ON. When the lamp does not come on, the lamp status is OFF.

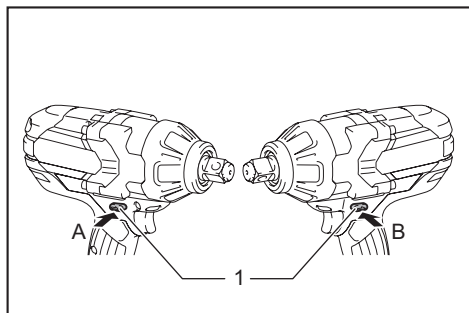
NOTE: When the tool is overheated, the light flashes for one minute, and then the LED display goes off. In this case, cool down the tool before operating again.

NOTE: Use a dry cloth to wipe the dirt off the lens of the lamp. Be careful not to scratch the lens of lamp, or it may lower the illumination.

NOTE: While pulling the switch trigger, the lamp status cannot be changed.

NOTE: For approximately 10 seconds after releasing the switch trigger, the lamp status can be changed.

Reversing switch action



► 1. Reversing switch lever

CAUTION: Always check the direction of rotation before operation.

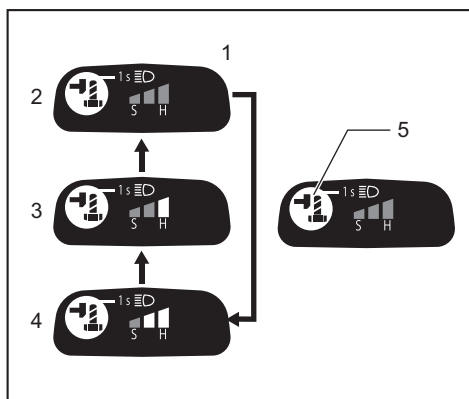
CAUTION: Use the reversing switch only after the tool comes to a complete stop. Changing the direction of rotation before the tool stops may damage the tool.

CAUTION: When not operating the tool, always set the reversing switch lever to the neutral position.

This tool has a reversing switch to change the direction of rotation. Depress the reversing switch lever from the A side for clockwise rotation or from the B side for counterclockwise rotation.

When the reversing switch lever is in the neutral position, the switch trigger cannot be pulled.


Changing the impact force



► 1. Changed in three steps 2. Hard 3. Medium 4. Soft 5. Button




You can change the impact in three steps: hard, medium and soft mode.

This allows a tightening suitable to the work.


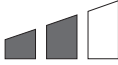

Every time the button  is pressed, the number of blows changes in three steps.

For approximately one minute after releasing the switch trigger, the impact force can be changed.

Specifications of each impact force grade

Impact force grade displayed on panel	Maximum blows			Application
	XWT07 / XWT07XV	XWT08 / XWT08XV	XWT09 / XWT09XV	
Hard 	2,200 min ⁻¹ (/min)			Tightening when force and speed are desired.
Medium 	2,000 min ⁻¹ (/min)			Tightening when you need good controlled power.
Soft 	1,800 min ⁻¹ (/min)			Tightening when you need fine adjustment with small diameter bolt.

Impact force/bolt size corresponding chart (reference)

Impact force grade displayed on panel	XWT07 / XWT07XV		XWT08 / XWT08XV		XWT09 / XWT09XV	
	Standard bolt	High tensile bolt	Standard bolt	High tensile bolt	Standard bolt	High tensile bolt
Hard 	M20 - M30 (3/4" - 1-1/4")	M16 - M24 (5/8" - 1")	M20 - M30 (3/4" - 1-1/4")	M16 - M24 (5/8" - 1")	M20 - M24 (3/4" - 1")	M16 - M22 (5/8" - 7/8")
Medium 	M16 - M24 (5/8" - 1")	M12 - M20 (1/2" - 3/4")	M16 - M24 (5/8" - 1")	M12 - M20 (1/2" - 3/4")	M14 - M20 (9/16" - 3/4")	M10 - M16 (3/8" - 5/8")
Soft 	M12 - M20 (1/2" - 3/4")	M10 - M16 (3/8" - 5/8")	M12 - M20 (1/2" - 3/4")	M10 - M16 (3/8" - 5/8")	M12 - M16 (1/2" - 5/8")	M10 - M12 (3/8" - 1/2")

ASSEMBLY

CAUTION: Always be sure that the tool is switched off and the battery cartridge is removed before carrying out any work on the tool.

Selecting correct impact socket

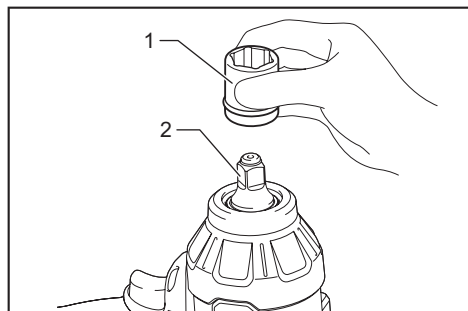
Always use the correct size impact socket for bolts and nuts. An incorrect size impact socket will result in inaccurate and inconsistent fastening torque and/or damage to the bolt or nut.

Installing or removing impact socket

Only for Model XWT07, XWT08, XWT07XV, XWT08XV (optional accessory)

CAUTION: Make sure that the impact socket and the mounting portion are not damaged before installing the impact socket.

For impact socket without O-ring and pin

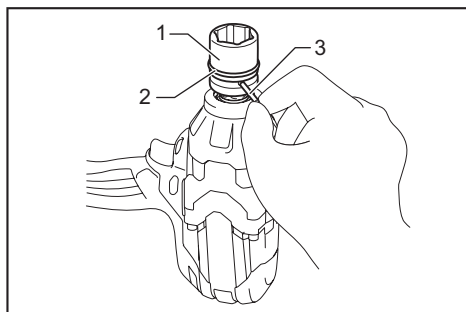


► 1. Impact socket 2. Square drive

Align the square of the impact socket with the square drive and push the impact socket onto the square drive until it locks into place. Tap it lightly if required. To remove the impact socket, simply pull it off.

For impact socket with O-ring and pin

Only for Model XWT07, XWT07XV



► 1. Impact socket 2. O-ring 3. Pin

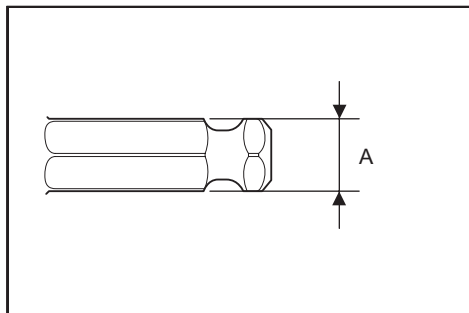
Move the O-ring out of the groove in the impact socket and remove the pin from the impact socket. Fit the impact socket onto the square drive so that the hole in the impact socket is aligned with the hole in the square drive.

Insert the pin through the hole in the impact socket and square drive. Then return the O-ring to the original position in the impact socket groove to retain the pin.

To remove the impact socket, follow the installation procedures in reverse.

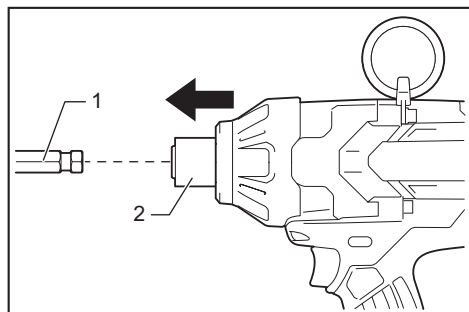
Installing or removing drill bit/ socket adapter

Only for Model XWT09, XWT09XV (optional
accessory)



A=11.2 mm (7/16")

Use only the drill bit/socket adapter shown in the figure.
Do not use any other drill bit/socket adapter.



► 1. Drill bit 2. Sleeve

To install the drill bit, pull the sleeve in the direction of
the arrow and insert the drill bit into the sleeve as far as
it will go.

Then release the sleeve to secure the drill bit.

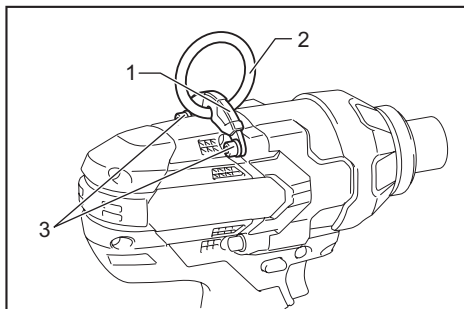
To remove the drill bit, pull the sleeve in the direction of
the arrow and pull the drill bit out.

NOTE: If the drill bit is not inserted deep enough into
the sleeve, the sleeve will not return to its original
position and the drill bit will not be secured. In this
case, try re-inserting the drill bit according to the
instructions above.

NOTE: After inserting the drill bit, make sure that it is
firmly secured. If it comes out, do not use it.

Ring

Only for Model XWT09, XWT09XV

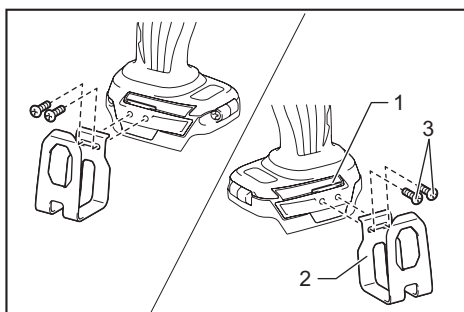


► 1. Bracket 2. Ring 3. Screws

The ring is convenient for hanging the tool with hoist.
First, place the rope through the ring. Then hang the
tool up to the air with hoist.

CAUTION: Before using the ring, always
make sure that the bracket and ring are secured
and not damaged.

Installing hook

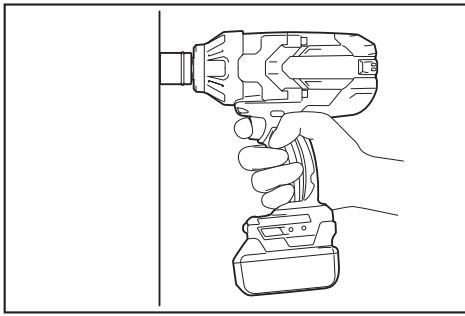


► 1. Groove 2. Hook 3. Screw

The hook is convenient for temporarily hanging the tool.
This can be installed on either side of the tool. To install
the hook, insert it into a groove in the tool housing on
either side and then secure it with two screws. To
remove, loosen the screws and then take it out.

OPERATION

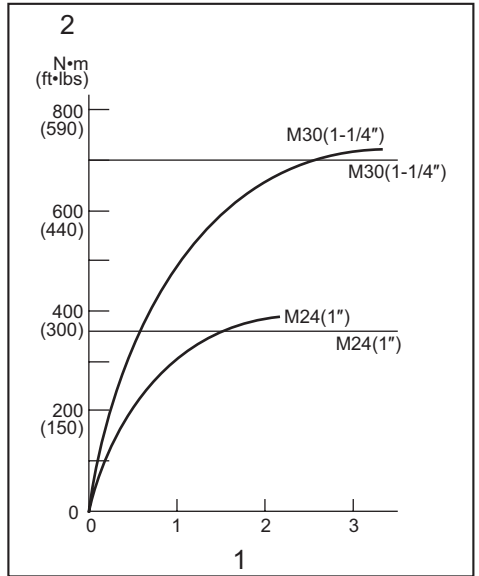
CAUTION: Always insert the battery cartridge
all the way until it locks in place. If you can see the
red indicator on the upper side of the button, it is not
locked completely. Insert it fully until the red indicator
cannot be seen. If not, it may accidentally fall out of
the tool, causing injury to you or someone around
you.



Hold the tool firmly and place the impact socket over the bolt or nut. Turn the tool on and fasten for the proper fastening time.
 The proper fastening torque may differ depending upon the kind or size of the bolt, the material of the workpiece to be fastened, etc. The relation between fastening torque and fastening time is shown in the figures.

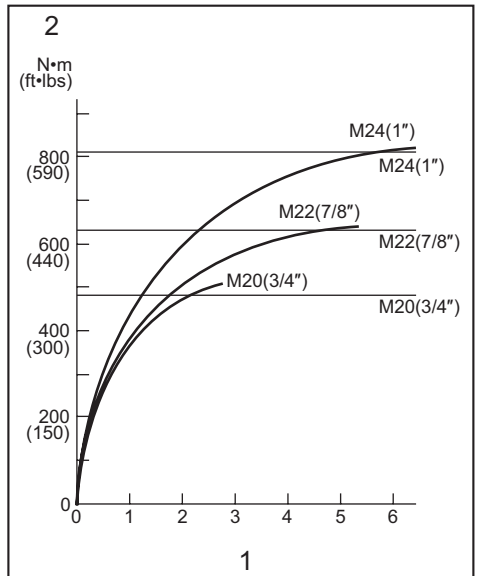
Model XWT07, XWT07XV

Proper fastening torque for standard bolt



1. Fastening time (second) 2. Fastening torque

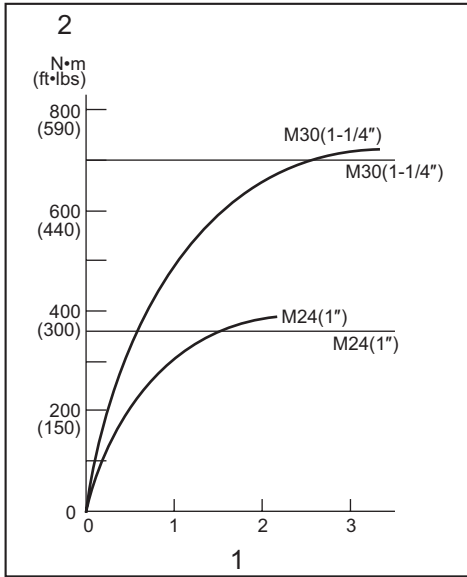
Proper fastening torque for high tensile bolt



1. Fastening time (second) 2. Fastening torque

Model XWT08, XWT08XV

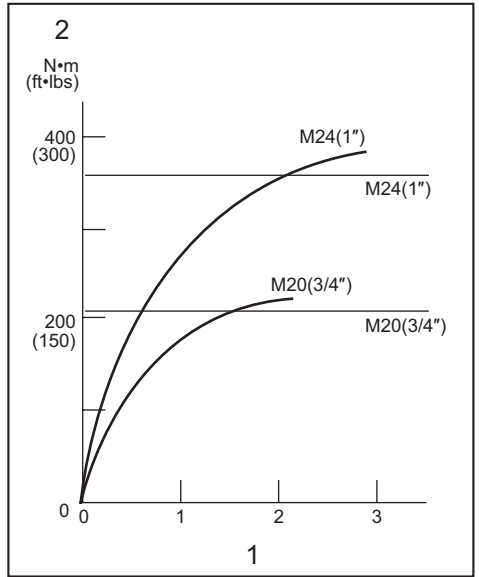
Proper fastening torque for standard bolt



1. Fastening time (second) 2. Fastening torque

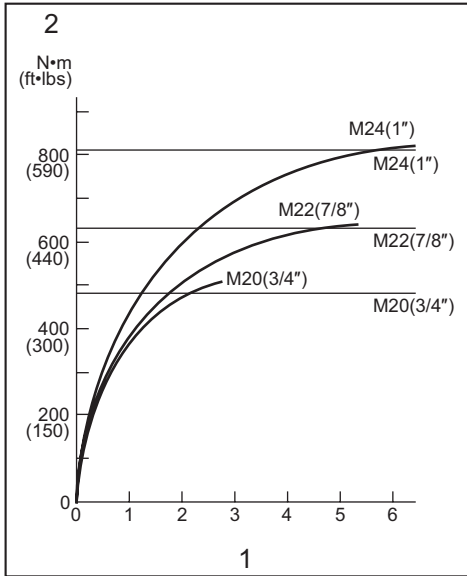
Model XWT09, XWT09XV

Proper fastening torque for standard bolt



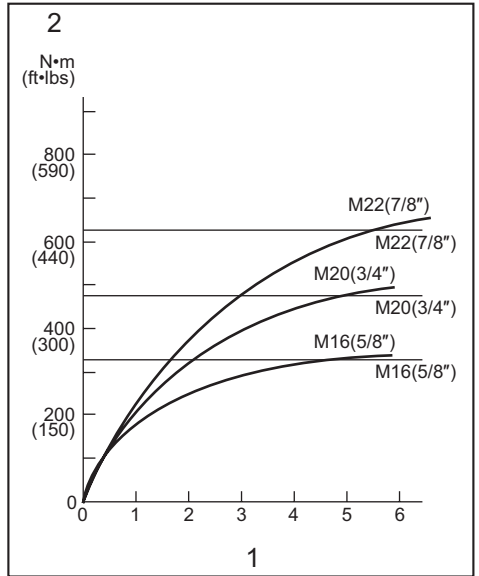
1. Fastening time (second) 2. Fastening torque

Proper fastening torque for high tensile bolt



1. Fastening time (second) 2. Fastening torque

Proper fastening torque for high tensile bolt



1. Fastening time (second) 2. Fastening torque

NOTE: Hold the tool pointed straight at the bolt or nut.

NOTE: Excessive fastening torque may damage the bolt/nut or impact socket. Before starting your job, always perform a test operation to determine the proper fastening time for your bolt or nut.

NOTE: If the tool is operated continuously until the battery cartridge has discharged, allow the tool to rest for 15 minutes before proceeding with a fresh battery cartridge.

The fastening torque is affected by a wide variety of factors including the following. After fastening, always check the torque with a torque wrench.

1. When the battery cartridge is discharged almost completely, voltage will drop and the fastening torque will be reduced.
2. Impact socket
 - Failure to use the correct size impact socket will cause a reduction in the fastening torque.
 - A worn impact socket (wear on the hex end or square end) will cause a reduction in the fastening torque.
3. Bolt
 - Even though the torque coefficient and the class of bolt are the same, the proper fastening torque will differ according to the diameter of bolt.
 - Even though the diameters of bolts are the same, the proper fastening torque will differ according to the torque coefficient, the class of bolt and the bolt length.
4. The use of the universal joint or the extension bar somewhat reduces the fastening force of the impact wrench. Compensate by fastening for a longer period of time.
5. The manner of holding the tool or the material of driving position to be fastened will affect the torque.
6. Operating the tool at low speed will cause a reduction in the fastening torque.

MAINTENANCE

CAUTION: Always be sure that the tool is switched off and the battery cartridge is removed before attempting to perform inspection or maintenance.

NOTICE: Never use gasoline, benzine, thinner, alcohol or the like. Discoloration, deformation or cracks may result.

To maintain product SAFETY and RELIABILITY, repairs, any other maintenance or adjustment should be performed by Makita Authorized or Factory Service Centers, always using Makita replacement parts.

OPTIONAL ACCESSORIES

CAUTION: These accessories or attachments are recommended for use with your Makita tool specified in this manual. The use of any other accessories or attachments might present a risk of injury to persons. Only use accessory or attachment for its stated purpose.

If you need any assistance for more details regarding these accessories, ask your local Makita Service Center.

- Impact socket
- Drill bits (only for Model XWT09, XWT09XV)
- Extension bar
- Universal joint
- Makita genuine battery and charger

NOTE: Some items in the list may be included in the tool package as standard accessories. They may differ from country to country.