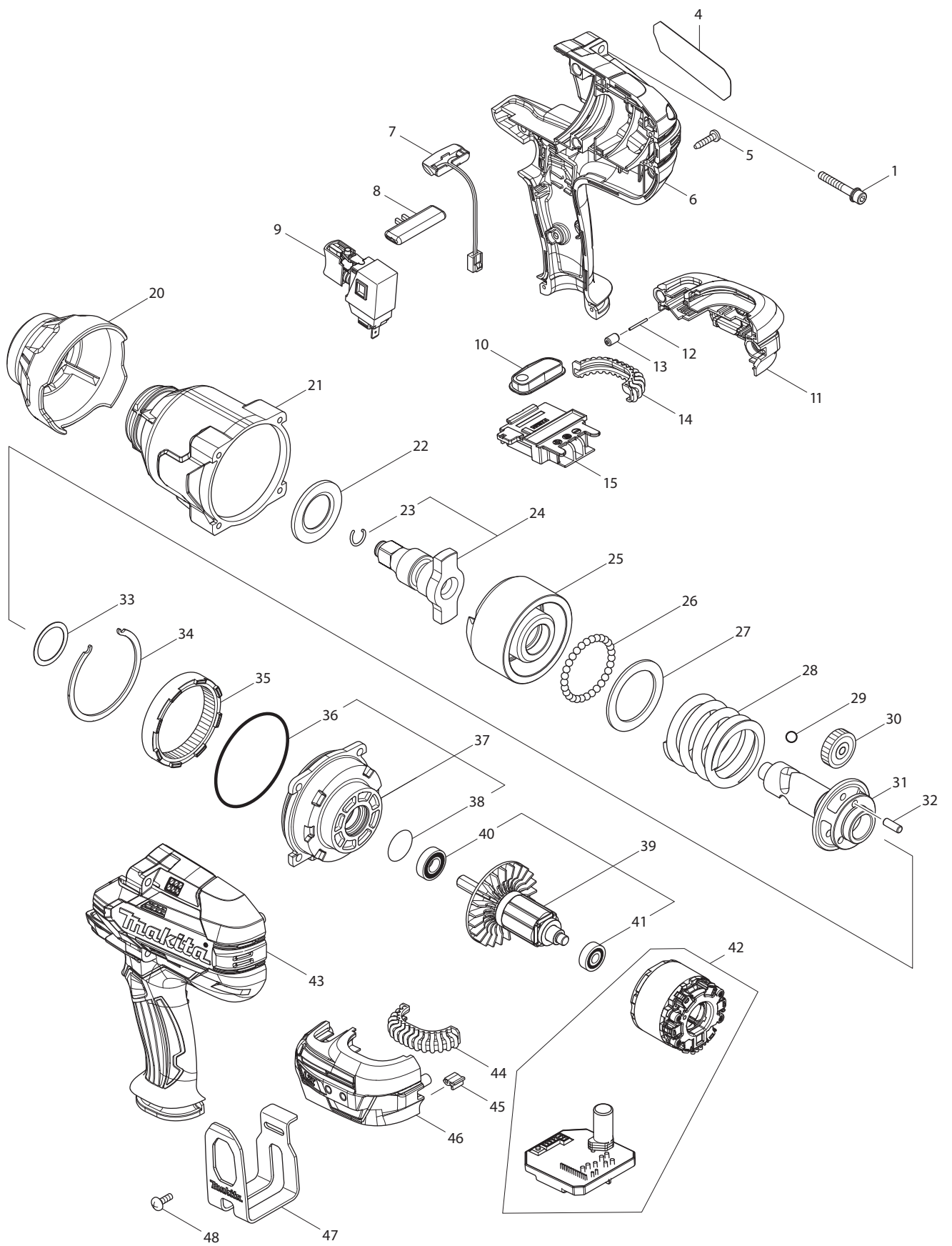


Model XDT11R Parts list

A = Standard Equipment

O = Circuit Diagram

Item#	Part#	Description	Q'ty	Unit
001	266429-2	TAPPING SCREW 3X16	8	PC.
002	851E28-9	XDT11 NAME PLATE	1	
003	183B63-4	HOUSING SET	1	
	C10 263005-3	RUBBER PIN 6	2	PC.
	D10	INC. 36		
004	806W83-4	CAUTION LABEL	1	
005	455053-8	F/R CHANGE LEVER	1	PC.
006	650751-1	SWITCH	1	
	C10 620445-2	LED CIRCUIT	1	
007	643852-2	TERMINAL	1	PC.
008	231951-8	RING SPRING 11	1	PC.
009	267085-1	FLAT WASHER 12	1	PC.
010	233005-7	COMPRESSION SPRING 13	1	PC.
011	326068-1	BIT SLEEVE	1	PC.
012	424738-7	BUMPER	1	
013	143299-5	HAMMER CASE COMPLETE	1	
014	261151-6	NYLON WASHER 19	1	PC.
015	216040-0	STEEL BALL 3.5	2	PC.
016	326563-1	ANVIL M	1	
017	326564-9	HAMMER	1	
018	216040-0	STEEL BALL 3.5	24	PC.
019	267175-0	FLAT WASHER 24	1	PC.
020	234251-5	COMPRESSION SPRING 25	1	PC.
021	216041-8	STEEL BALL 5.6	2	
022	227362-3	SPUR GEAR 22	2	PC.
023	326562-3	SPINDLE	1	
024	256253-1	PIN 5	2	PC.
025	253314-8	THIN WASHER 15	1	PC.
026	227378-8	INTERNAL GEAR 51	1	
027	213507-9	O RING 40	1	PC.
028	143298-7	BEARING BOX COMPLETE	1	
029	638396-5	YOKE UNIT	1	PC.
030	619377-8	ARMATURE	1	
031	CB448	CARBON BRUSH CB-448 (196855-0)	2	
032	632F23-2	BRUSH HOLDER COMPLETE	1	
	D10	INC. 31		
033	263032-0	RUBBER PIN 4	4	PC.
034	456044-2	REAR COVER	1	
035	266429-2	TAPPING SCREW 3X16	2	PC.
036	183B63-4	HOUSING SET	1	
	C10 263005-3	RUBBER PIN 6	2	PC.
	D10	INC. 3		
A01	346449-3	HOOK	1	PC.
A02	266622-8	+ TRUSS HEAD SCREW M4X12	1	PC.
A03	141856-3	PLASTIC CARRYING CASE COMPLETE	1	PC. (XDT11R)
	C10 162302-3	LATCH	2	PC. (XDT11R)
	C20 324207-7	SHAFT	1	PC. (XDT11R)
	C30 451749-9	HANDLE	1	PC. (XDT11R)
A04	450128-8	BATTERY COVER	1	PC. (XDT11R)
A05	***DC18RC	DC18RC FAST CHARGER	1	PC. (XDT11R)
A06	BL1820B	BATTERY BL1820B SET	2	(XDT11R)
D01	652045-0	+PAN HEAD SCREW M3.5X5	2	PC.



Model XWT08Z Parts List

A = Standard Equipment

O = Circuit Diagram

Item#	Part#	Description	Q'ty	Unit	
001	251476-6	H.S.H.BOLT M5X35 WITH WR	4	PC.	
004	851K56-0	XWT08 NAME PLATE	1		
005	266326-2	TAPPING SCREW 4X18	9	PC.	
006	183C08-8	HOUSING SET	1		
	D10	INC. 43			
007	620351-1	LED CIRCUIT	1	PC.	
008	456268-0	F/R CHANGE LEVER	1		
009	143416-7	SWITCH COMPLETE	1	PC.	
010	143417-5	SWITCH PLATE COMPLETE	1	PC.	
011	183C12-7	BATTERY HOUSING SET	1	SET	
	C10	263005-3	RUBBER PIN 6	2	PC.
	D10	INC. 46			
012	268284-8	PIN 1.5	1	PC.	
013	263036-2	RUBBER PIN 5	1	PC.	
014	424773-5	CUSHION RUBBER	1		
015	643899-6	TERMINAL	1	PC.	
020	424775-1	BUMPER	1		
021	143411-7	HAMMER CASE COMPLETE	1	PC.	
022	346948-5	WASHER 25	1		
023	231907-1	RING SPRING 10	1	PC.	
024	135717-7	ANVIL W ASS'Y	1	PC.	
	D10	INC. 23			
025	326613-2	HAMMER	1	PC.	
026	216002-8	STEEL BALL 4.8	29	PC.	
027	267493-6	FLAT WASHER 38	1		
028	234383-8	COMPRESSION SPRING 38	1	PC.	
029	216009-4	STEEL BALL 7.1	2	PC.	
030	227391-6	SPUR GEAR 24	3	PC.	
031	326611-6	SPINDLE	1	PC.	
032	268079-9	PIN 5	3	PC.	
033	267494-4	FLAT WASHER 25	1		
034	346947-7	RETAINER	1		
035	227392-4	INTERNAL SPUR GEAR 54	1	PC.	
036	213720-9	O RING 67	1	PC.	
037	135718-5	INTERNAL GEAR CASE ASS'Y	1	PC.	
	D10	INC. 36,38			
038	213961-7	O RING 22	1	PC.	
039	519384-0	ROTOR ASS'Y	1	PC.	
	D10	INC. 40,41			
040	210069-8	BALL BEARING 6900DDW	1	PC.	
041	211022-7	BALL BEARING 607ZZ	1	PC.	
042	629170-2	STATOR COMPLETE	1	PC.	
043	183C08-8	HOUSING SET	1		
	D10	INC. 6			
044	424773-5	CUSHION RUBBER	1		
045	424517-3	CUSHION	1	PC.	
046	183C12-7	BATTERY HOUSING SET	1	SET	
	C10	263005-3	RUBBER PIN 6	2	PC.
	D10	INC. 11			
047	346949-3	HOOK	1		
048	251314-2	+ SCREW M4X12	2	PC.	