

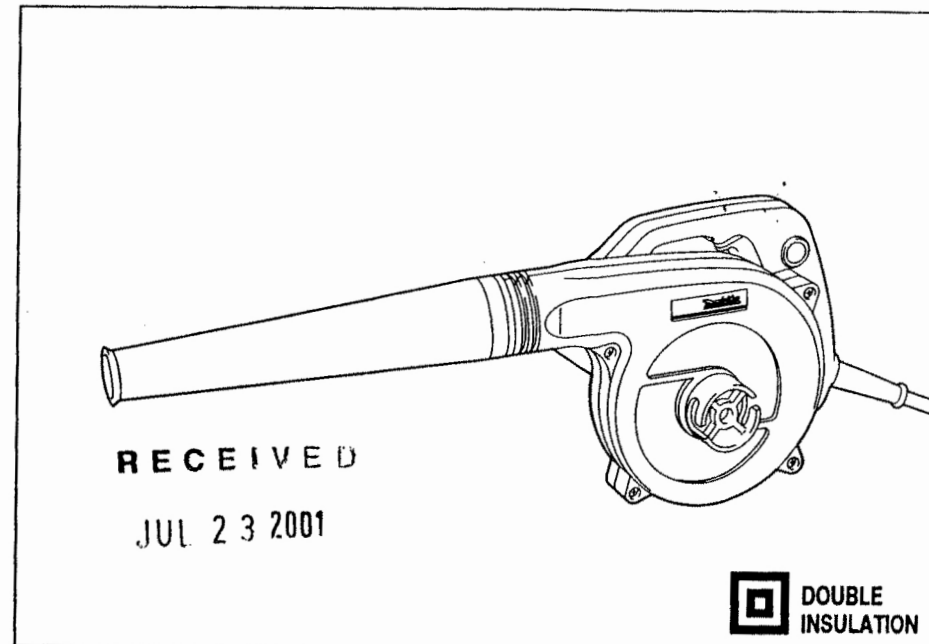


Blower

MODEL UB1101

Variable speed

INSTRUCTION MANUAL



SPECIFICATIONS

Capacities		No load speed (RPM)	Overall length	Net weight
Air pressure (water column)	Air volume			
0 - 5.5 kPa (0 - 560 mm: 0 - 22")	0 - 2.8 m ³ /min.	0 - 16,000/min.	480 mm (18-7/8")	1.7 kg (3.7 lbs)

* Manufacturer reserves the right to change specifications without notice.

* Note: Specifications may differ from country to country.

WARNING: For your personal safety, READ and UNDERSTAND before using.
SAVE THESE INSTRUCTIONS FOR FUTURE REFERENCE.

IMPORTANT SAFETY INSTRUCTIONS

When using an electrical appliance, basic precautions always be followed, including the following:

READ ALL INSTRUCTIONS BEFORE USING THIS APPLIANCE

WARNING - To reduce the risk of fire, electric shock, or injury:

1. Do not leave appliance when plugged in. Unplug from outlet when use and before servicing.
2. Do not use on wet surfaces. Do not expose to rain. Store indoors.
3. Do not allow to be used as a toy. Close attention is necessary when used by or near children.
4. Use only as described in this manual. Use only manufacturer recommended attachments.
5. Do not use with damaged cord or plug. If appliance is not working and has been dropped, damaged, left outdoors, or dropped into water take to a service center.
6. Do not pull or carry by cord, use cord as a handle, close a door or pull cord around sharp edges or corners. Do not run appliance over. Keep cord away from heated surfaces.
7. Do not unplug by pulling on cord. To unplug, grasp the plug, not the cord.
8. Do not handle plug or appliance with wet hands.
9. Do not put any object into openings. Do not use with any openings that are not kept free of dust, lint, hair, and anything that may reduce air flow.
10. Keep hair, loose clothing, fingers, and all parts of body away from moving parts.
11. Do not pick up anything that is burning or smoking, such as matches, or hot ashes.
12. Do not use without dust bag in place when collecting dust.
13. Turn off all controls before unplugging.
14. Use extra care when cleaning on stairs.

15. Do not use to pick up flammable or combustible liquids, such as gasoline, or use in areas where they may be present.
16. **AVOID UNINTENTIONAL STARTING.** Do not carry plugged-in appliance with finger on switch. Be sure switch is OFF when plugging in.
17. **OUTDOOR USE EXTENSION CORDS.** When appliance is used outdoors, use only extension cords intended for use outdoors and so marked.
18. **GUARD AGAINST ELECTRIC SHOCK.** Prevent body contact with grounded surfaces. For example; pipes, radiators, ranges, refrigerator enclosures.
19. This appliance is provided with double insulation. Use only identical replacement parts. See instructions for Servicing of Double-Insulated Appliances.
20. **POLARIZED PLUGS.** To reduce the risk of electric shock, this appliance has a polarized plug (one blade is wider than the other). This plug will fit in a polarized outlet only one way. If the plug does not fit fully in the outlet, reverse the plug. If it still does not fit, contact a qualified electrician to install the proper outlet. Do not change the plug in any way.

SERVICING OF DOUBLE INSULATED APPLIANCES

In a double-insulated appliance, two systems of insulation are provided instead of grounding. No grounding means is provided on a double-insulated appliance, nor should a means for grounding be added to the appliance. Servicing a double-insulated appliance requires extreme care and knowledge of the system, and should be done only by qualified service personnel. Replacement parts for a double-insulated appliance must be identical to the parts they replace. A double-insulated appliance is marked with the words "DOUBLE INSULATION" or "DOUBLE INSULATED." The symbol (square within a square) \square may also be marked on the appliance.

VOLTAGE WARNING: Before connecting the appliance to a power source (receptacle, outlet, etc.) be sure the voltage supplied is the same as that specified on the nameplate of the appliance. A power source with voltage greater than that specified for the appliance can result in **SERIOUS INJURY** to the user - as well as damage to the appliance. If in doubt, **DO NOT PLUG IN THE APPLIANCE.** Using a power source with voltage less than the nameplate rating is harmful to the motor.

ADDITIONAL SAFETY RULES

US

1. Always use protective goggles, a cap and mask when using the blower.
2. Never point the nozzle at anyone in the vicinity when using the blower.
3. Always use the dust bag when collecting dust, chips and the like.
4. Do not collect still smoldering cigarette ashes, freshly cut metals shavings, screws, nails and the like.
5. Never block suction inlet and/or blower outlet. Increased motor revolution may cause dangerous fan breakage.
6. The blower is not intended for use by young children or infirm persons without supervision.
7. Young children should be supervised to ensure that they do not play with blower.

SAVE THESE INSTRUCTIONS.

This appliance is intended for household use.

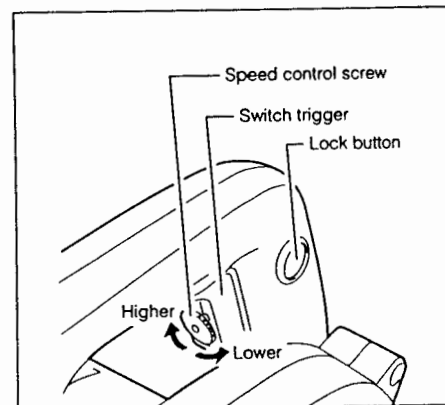
FUNCTIONAL DESCRIPTION

Switch action

CAUTION:

Before plugging in the tool, always check to see that the switch trigger actuates properly and returns to the "OFF" position when released.

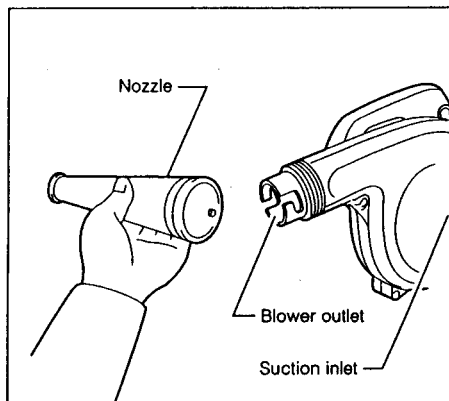
To start the tool, simply pull the switch trigger. Tool speed is increased by increasing pressure on the trigger. Release the trigger to stop. For continuous operation, pull the trigger and then push in the lock button. To stop the tool from the locked position, pull the trigger fully, then release it. A speed control screw is provided so that maximum tool speed can be limited (variable). Turn the speed control screw clockwise for higher speed, and counterclockwise for lower speed.



ASSEMBLY

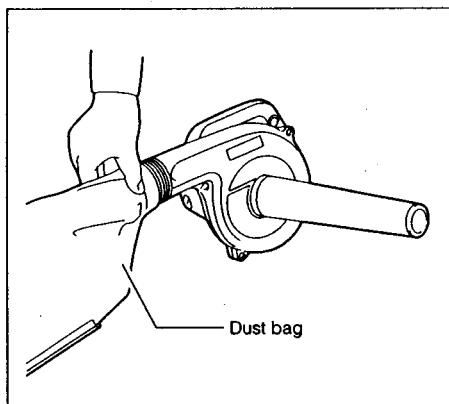
Blowing

For dust blowing, attach nozzle to blower outlet, turning clockwise to lock it in place.

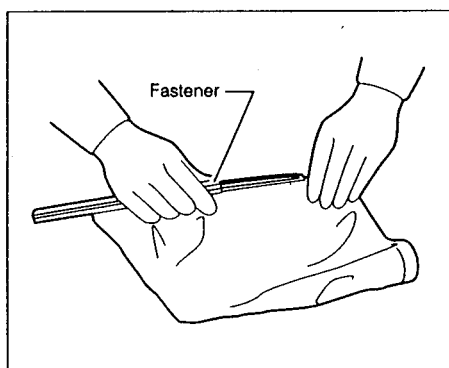


Dust suction

For dust suction, fit nozzle onto suction inlet and dust bag (optional accessory) onto blower outlet.



After the bag fills with dust, empty the contents of the dust bag by releasing the fastener.



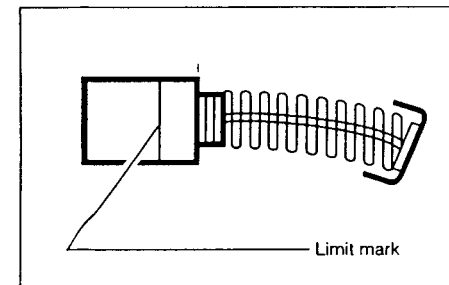
MAINTENANCE

CAUTION:

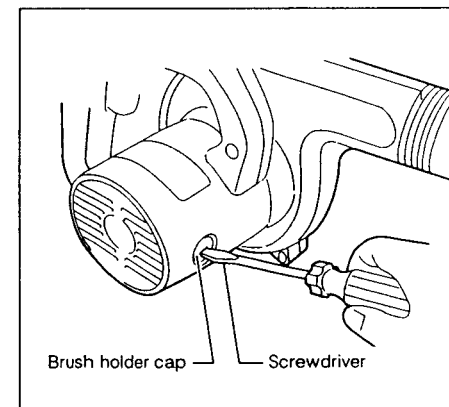
Always be sure that the tool is switched off and unplugged before attempting to perform inspection or maintenance.

Replacing carbon brushes

Remove and check the carbon brushes regularly. Replace when they wear down to the limit mark. Keep the carbon brushes clean and free to slip in the holders. Both carbon brushes should be replaced at the same time. Use only identical carbon brushes.



Use a screwdriver to remove the brush holder caps. Take out the worn carbon brushes, insert the new ones and secure the brush holder caps.



To maintain product SAFETY and RELIABILITY, repairs, any other maintenance or adjustment should be performed by Makita Authorized or Factory Service Centers, always using Makita replacement parts.

ACCESSORIES

CAUTION:

These accessories or attachments are recommended for use with your Makita tool specified in this manual. The use of any other accessories or attachments might present a risk of injury to persons. The accessories or attachments should be used only in the proper and intended manner.

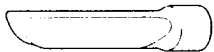
• Joint



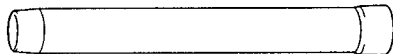
• Flexible hose



• Corner nozzle



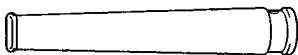
• Straight pipe



• Nozzle assembly



• Nozzle assembly (Long size)



• Dust bag assembly

