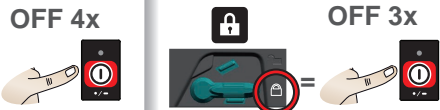
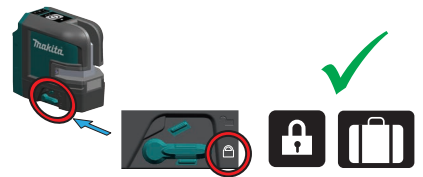


OFF / Brightness

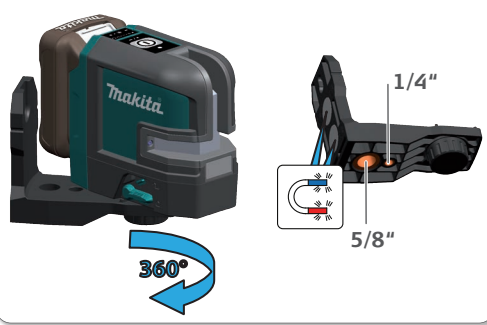


Transportation Lock

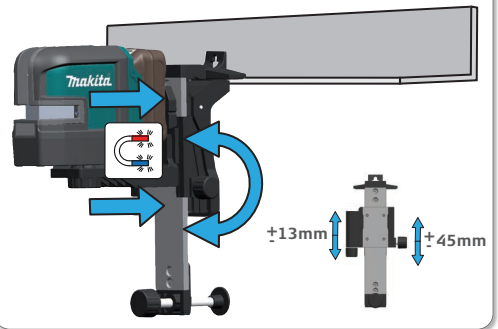


	LASER 2	
IEC 60825-1:2014	A=635nm Pmax<1mW tp=45-70µs	

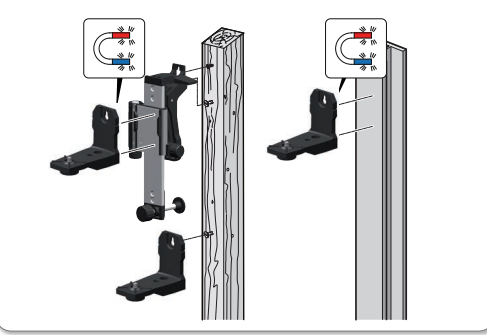
Adapter setup



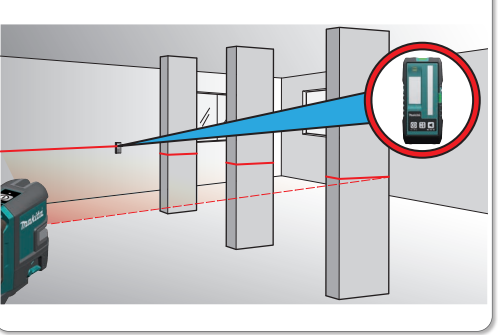
Usable with wall mount



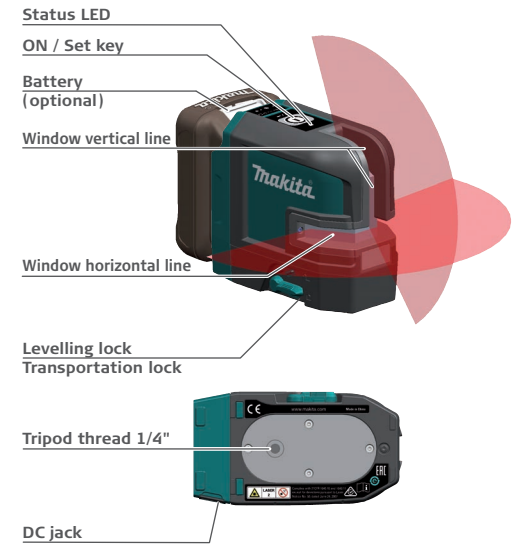
Adapter and wall mount setup



Usable with Receiver



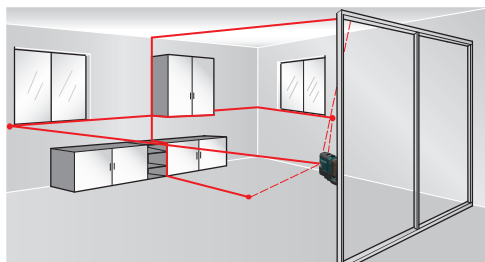
SK105D



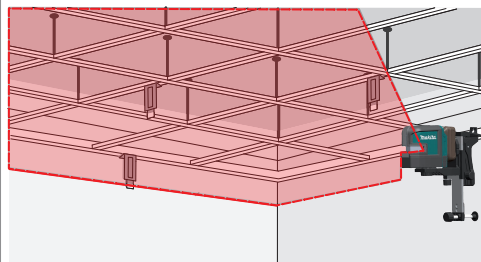
Insert Makita battery (optional)



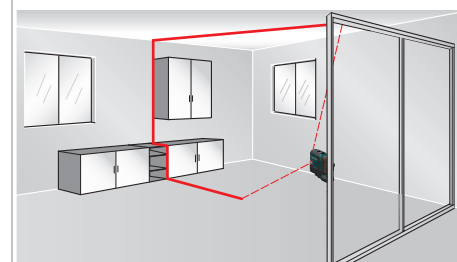
① 1x - Laser on



① 2x - Horizontal mode



① 3x - Vertical mode



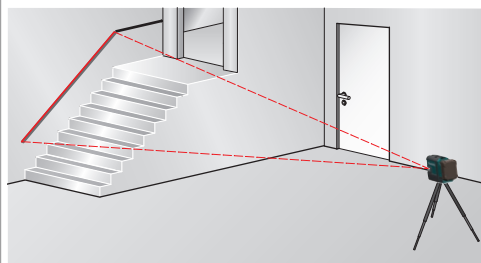
External power supply



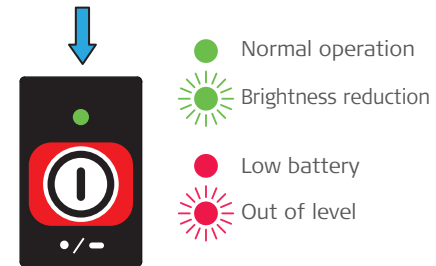
Self levelling / Levelling lock



🔒 ① 1x ——— ① 2x |



Status LED



Learn more about measuring and layout tools we have.