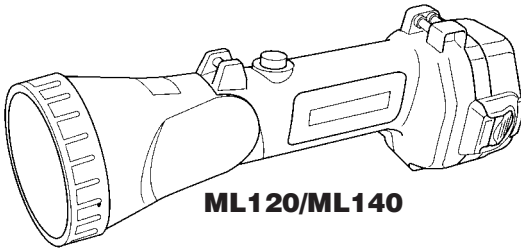


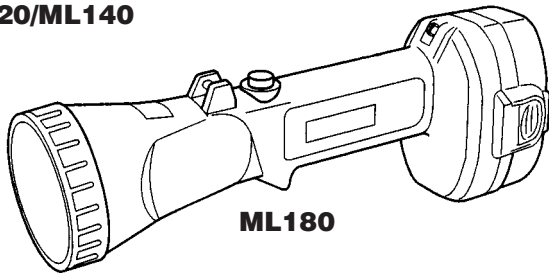


- Rechargeable Flashlight

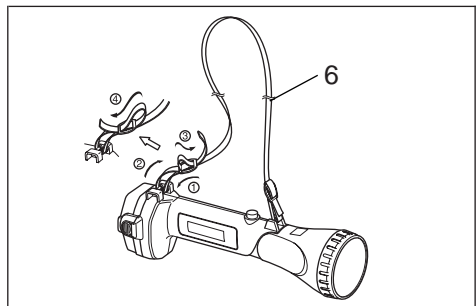
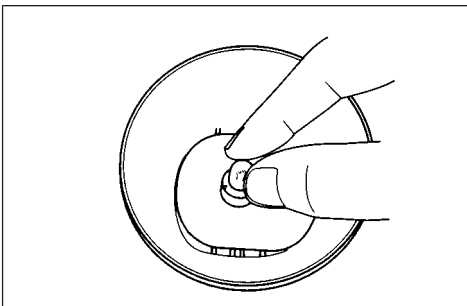
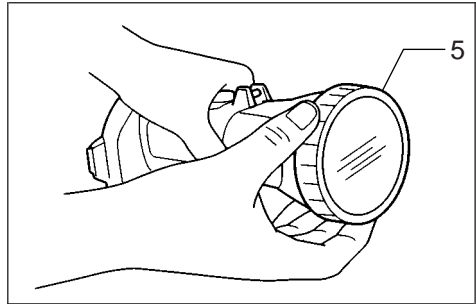
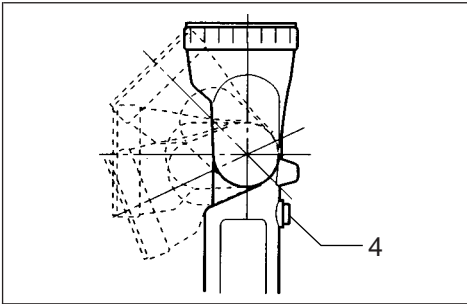
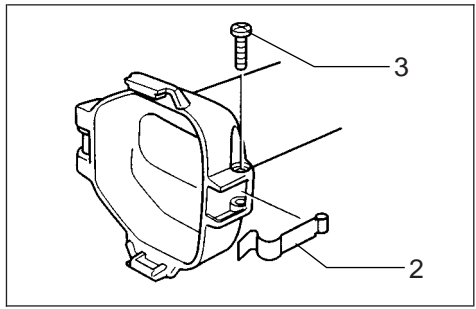
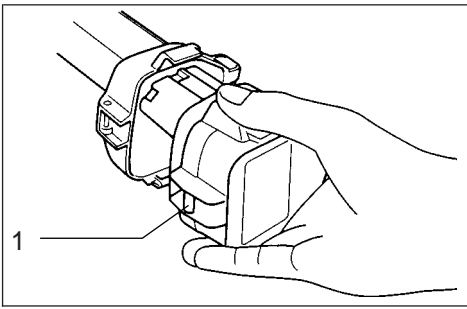
ML120/ML140/ML180



ML120/ML140



ML180



Symbols

The following show the symbols used for the tool. Be sure that you understand their meaning before use.



Read instruction manual.



Do not touch the bulb which is hot in use or immediately after putting out light. You may get burnt.

Explanation of general view

1 Battery cartridge	3 Screw	5 Ring
2 Set plate	4 Switch	6 Shoulder strap

SPECIFICATIONS

Model	ML120	ML140	ML180
Bulb	12 V 0.7 A	12 V 0.7 A	18 V 0.6 A
Dimensions			
L	272 mm (10-11/16")	272 mm (10-11/16")	324 mm (12-3/4")
W	94 mm (3-11/16")	94 mm (3-11/16")	95 mm (3-3/4")
H	98 mm (3-7/8")	107 mm (4-3/16")	121 mm (4-3/4")
Net weight	0.26 kg (0.57 lbs)	0.27 kg (0.59 lbs)	0.29 kg (0.63 lbs)

- Due to the continuing program of research and development, the specifications herein are subject to change without prior notice.
- Note: Specifications may differ from country to country.

IMPORTANT SAFETY INSTRUCTIONS

WARNING:

When using electric tools, basic safety precautions should always be followed to reduce the risk of fire, electric shock, and personal injury, including the following:

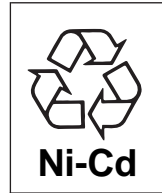
READ ALL INSTRUCTIONS.

1. Read this instruction manual and the charger instruction manual carefully before use.
2. This flashlight is not water-proof. Do not use it in damp or wet locations. Do not expose it to rain or snow. Do not wash it in water.
3. A short-circuit can cause a large current flow, overheating, possible burns and even a breakdown.
 - (1) Do not touch the inside of the flashlight head with tweezers, metal tools, etc.
 - (2) Do not touch the battery terminals with any conductive material.
 - (3) Avoid storing the battery cartridge in a container with any metal objects such as nails, coins, etc.
4. Never expose the battery cartridge to flames, fire or great heat. Breakage may cause release of injurious material.
5. If electrolyte gets into your eyes, rinse them out with clear water and seek medical attention right away. It may result in loss of your eyesight.
6. If operating time has become excessively shorter, stop operating immediately. It may result in a risk of overheating, possible burns and even an explosion.
7. Be careful not to drop, shake or strike battery.
8. When the tool is not in use, always switch off and remove the battery cartridge from the tool.
9. Do not store the tool and battery cartridge in locations where the temperature may reach or exceed 50°C (122°F).
10. Do not give the tool a shock by dropping, striking, etc.
11. Do not expose the light to eyes continuously. It may hurt them.
12. Do not cover or clog the lit tool with cloth or carton, etc. It may create a risk of fire.
13. Switch off the light immediately when the lamp gets dark in use. If you leave the lamp switched on, the battery cartridge capacity may decrease.
14. Do not disassemble the charger or battery cartridge; take it to a qualified serviceman when service or repair is required. Incorrect reassembly may result in a risk of electric shock or fire.
15. If any problem develops, consult your nearest Makita Service Center or dealer. To maintain product safety and reliability, repairs, maintenance or adjustment should be carried out by Makita Authorized Service Center.

SAVE THESE INSTRUCTIONS.

For USA only
Recycling the Battery

The only way to dispose of a Makita battery is to recycle it. The law prohibits any other method of disposal.



To recycle the battery:

1. Remove the battery from the tool.
2. a) Take the battery to your nearest Makita Factory Service Center or
or
b) Take the battery to your nearest Makita Authorized Service Center or Distributor that has been designated as a Makita battery recycling location.
 - Call your nearest Makita Service Center or Distributor to determine the location that provides Makita battery recycling. See your local Yellow Pages under "Tools-Electric".

OPERATING INSTRUCTIONS

Charging

Charge the battery cartridge with the Makita charger before use. To remove the battery cartridge, withdraw it from the flashlight while pressing the buttons on both sides of the cartridge. After charging, insert the battery cartridge into the flashlight all the way until it locks in place with a little click. **(Fig. 1)**

NOTE:

Battery cartridges 1200, 1200A, 1202, 1202A can be used on ML120 if you install the set plate. Install the set plate on ML120 with the screw provided as shown in **Fig. 2**.

The following tables indicate the operating time on a single charge.

ML120

Voltage	Battery cartridge	Operating time	Charger
12 V	1200 1220 1200A	Approx. 110 min.	DC1201, C1470, DC1411, DC1422, DC1439, DC1801
	1202 1222 1202A	Approx. 160 min.	DC1201, DC1411, DC1422, DC1439, DC1801
	1233	Approx. 190 min.	DC1411, DC1422, DC1439, DC1801
	1234	Approx. 220 min.	
	1235 1235A	Approx. 260 min.	

(Note)

If you use a power checking battery on Model ML120, the power checking battery will not indicate the remaining battery capacity properly.

ML140

Voltage	Battery cartridge	Operating time	Charger
14.4 V	1420	Approx. 110 min.	DC1470, DC1411, DC1422, DC1439, DC1801
	1422	Approx. 160 min.	DC1411, DC1422, DC1439, DC1801
	1433	Approx. 190 min.	DC1411, DC1422, DC1439, DC1801
	1434	Approx. 220 min.	
	1435	Approx. 260 min.	

ML180

Voltage	Battery cartridge	Operating time	Charger
18 V	1822	Approx. 190 min.	DC1801
	1833	Approx. 220 min.	
	1834	Approx. 260 min.	
	1835	Approx. 300 min.	

Storing battery cartridge

Always charge the Nickel Metal Hydride battery cartridge before storing it when you do not use it for more than six months.

Head angle (Fig. 3)

The head angle can be adjusted in four stages. Adjust as desired.

Replacing bulb (Fig. 4 & 5)

CAUTION:

The bulb is very hot immediately after operation. Wait until the bulb cools off before attempting to replace it.

First, turn the ring counterclockwise and remove the reflector. Then replace the bulb.

Shoulder strap (Fig. 6)

Install the strap on the tool.

MAINTENANCE

To maintain product safety and reliability, repairs, maintenance or adjustment should be carried out by a Makita Authorized Service Center.

ACCESSORIES

CAUTION:

These accessories or attachments are recommended for use with your Makita tool specified in this manual. The use of any other accessories or attachments might present a risk of injury to persons. The accessories or attachments should be used only in the proper and intended manner.

- Bulb set (2 pcs)
- Shoulder strap
- Set plate (For Model ML120)