

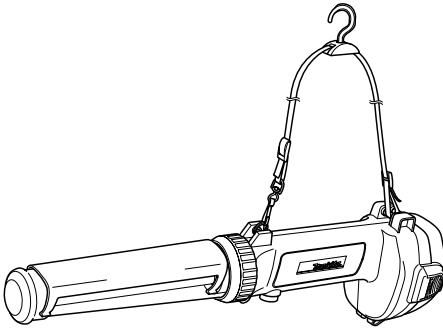


• **Rechargeable Job Site Light**

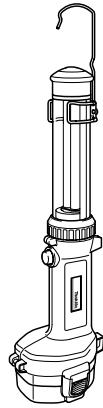
ML142

ML143

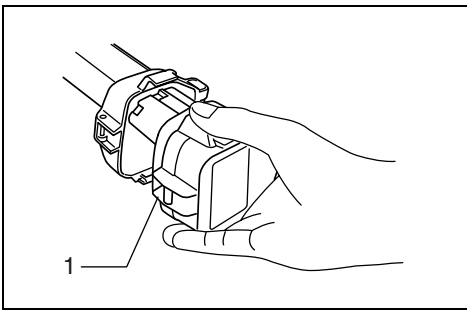
ML183



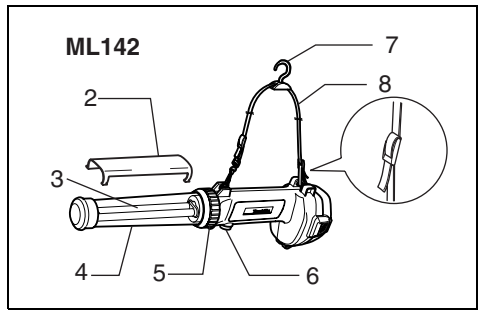
ML142



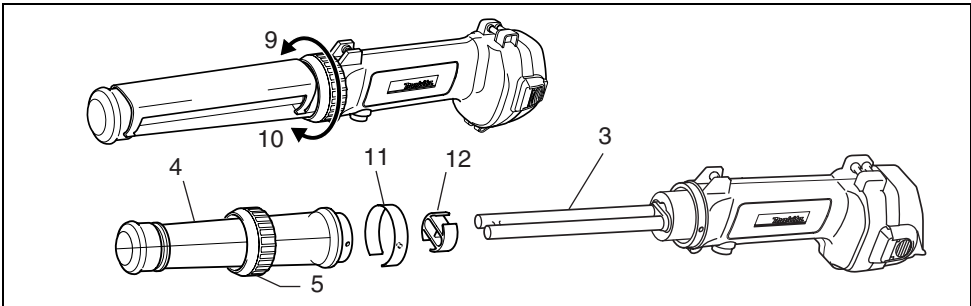
ML143/183



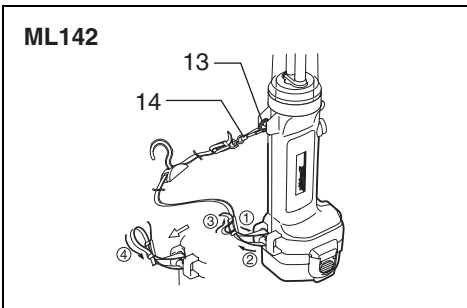
1



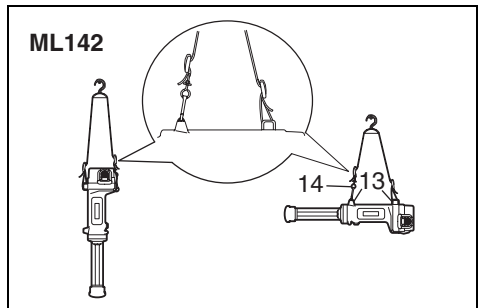
2



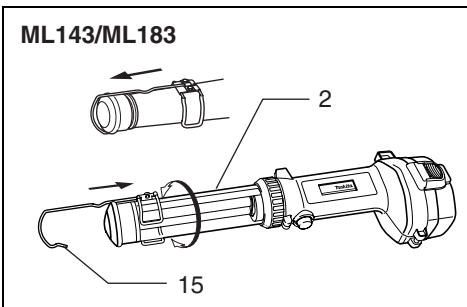
3



4



5



6

Symbols

The followings show the symbols used for the tool. Be sure that you understand their meaning before use.



- Read instruction manual.



- Do not touch the fluorescent tube which is hot in use or immediately after putting out light. You may get burnt.

Explanation of general view

1 Battery cartridge	6 Switch	11 Connecting ring
2 Reflector (ML142 only)	7 Hook (ML142 only)	12 Cap
3 Fluorescent tube	8 Strap (ML142 only)	13 Ring
4 Lamp cover	9 Loosen	14 Metal fitting
5 Screw ring	10 Tighten	15 Hook (ML143/183 only)

SPECIFICATIONS

Model	ML142	ML143	ML183
Power source	D.C. 14.4 V	D.C. 14.4 V	D.C. 18 V
Fluorescent tube	Compact FL13 W	Compact FL13 W	Compact FL13 W
Dimensions (L x W x H)	347 mm x 94 mm x 116 mm	411 mm x 94 mm x 116 mm (when the hook is pulled out) 350 mm x 94 mm x 116 mm (when the hook is stored)	411 mm x 95 mm x 154 mm (when the hook is pulled out) 350 mm x 95 mm x 154 mm (when the hook is stored)
Net weight	0.35 kg	0.37 kg	0.37 kg

- Due to our continuing program of research and development, the specifications herein are subject to change without notice.
- Note: Specifications may differ from country to country.

IMPORTANT SAFETY INSTRUCTIONS

WARNING:

When using electric tools, basic safety precautions should always be followed to reduce the risk of fire, electric shock, and personal injury, including the following:

READ ALL INSTRUCTIONS.

1. Read this instruction manual and the charger instruction manual carefully before use.
2. This tool is not water-proof. Do not use it in damp or wet locations. Do not expose it to rain or snow. Do not wash it in water.
3. A short-circuit can cause a large current flow, overheating, possible burns and even a breakdown.
 - (1) Do not touch the battery terminals with any conductive materials.
 - (2) Avoid storing the battery cartridge in a container with any metal objects such as nails, coins, etc.
4. Never expose the battery cartridge to flames, fire or great heat. Breakage may cause release of injurious material.
5. Do not disassemble the charger or battery cartridge; take it to a qualified serviceman when service or repair is required. Incorrect reassembly may result in a risk of electric shock or fire.
6. When the tool is not in use, always switch off and remove the battery cartridge from the tool.
7. Do not give the tool a shock by dropping, striking, etc.
8. Do not expose the light to eyes continuously. It may hurt them.
9. Do not cover or clog the lit tool with cloth or carton, etc. It may create a risk of fire.
10. If you notice that the tool is hot or in abnormal condition, consult your nearest Makita Service Center or dealer. When the switch is turned "ON", the handle of the tool may become slightly hot, even if the fluorescent tube is not installed or is not lighted. This is a normal condition and does not indicate problem.
11. If any problem develops, consult your nearest Makita Service Center or dealer. To maintain product safety and reliability, repairs, maintenance or adjustment should be carried out by Makita Authorized Service Center.
12. Switch off the light immediately when the lamp gets dark in use. If you leave the lamp switched on, the battery cartridge capacity may decrease.

SAVE THESE INSTRUCTIONS.

OPERATING INSTRUCTIONS

Charging

Charge the battery cartridge with the Makita charger before use. To remove the battery cartridge, withdraw it from the tool while pressing the buttons on both sides of the cartridge. After charging, insert the battery cartridge into the tool all the way until it locks in place with a little click. (Fig. 1)

The following tables indicate the operating time on a single charge.

Voltage	Battery cartridge	Operating time	Charger
14.4 V	1420	Approx. 120 min.	DC1470, DC1411, DC1413, DC1414, DC1422, DC1801, DC1803, DC1804, DC1822, DC1439
	1422	Approx. 180 min.	
	1433	Approx. 200 min.	DC1411, DC1413, DC1414, DC1801, DC1803, DC1804, DC1822, DC1439, DC1422
	1434	Approx. 240 min.	
	1435	Approx. 280 min.	
18 V	1822	Approx. 180 min.	DC1801, DC1803, DC1804, DC1822
	1833	Approx. 200 min.	
	1834	Approx. 240 min.	
	1835	Approx. 280 min.	

Storing battery cartridge

Always charge the Nickel Metal Hydride battery cartridge before storing it when you do not use it for more than six months.

Switch action

To turn on the light, depress the switch. Depress the switch once again, the light is turned off.

Replacing fluorescent tube (Fig. 2 & 3)

CAUTION:

- Do not give the fluorescent tube a shock or mar it. It may result in a risk of breakage of the glass and a serious personal injury.
- Do not touch the fluorescent tube which is hot in use or immediately after putting out light. You may get burnt.
- Always be sure that the battery cartridge is removed before replacing the fluorescent tube or maintenance.

- 1) Loosen the screw ring fully and slide it aside so that the connecting ring appears.
 - 2) Remove the connecting ring.
 - 3) Pull the lamp cover straight out of the main unit.
 - 4) Remove the cap from the fluorescent tube.
 - 5) Pull out the fluorescent tube.
- Then replace with a new Makita specified one.

Follow the procedure below to install the disassembled parts.

- 1) Insert the cap into the top of a new fluorescent tube.
- 2) Insert the lamp cover so that the slits on the lamp cover fit into the protrusion on the tool.
- 3) Insert the connecting ring so that two small projecting pins on the connecting ring fit into the holes in the lamp cover and the tool that are overlapped.
- 4) Tighten the screw ring firmly.

Strap and hook

ML142

Install the strap on the tool. **(Fig. 4)**

When storing the tool, hang the metal fitting of the strap on the ring of the tool. **(Fig. 5)**

ML143/183

CAUTION:

- Do not shake the tool when the hook is pulled out. The hook can catch something accidentally.
- Do not use the hook except when you hang the tool. This may result in a risk of breakage of the tool.

The hook can be turned, slid and stored around the lamp cover. **(Fig. 6)**

The hook also can be removed when you do not use it.

To maintain product safety and reliability, repairs, maintenance or adjustment should be carried out by a Makita Authorized Service Center.

ACCESSORIES

CAUTION:

These accessories or attachments are recommended for use with your Makita tool specified in this manual. The use of any other accessories or attachments might present a risk of injury to persons. The accessories or attachments should be used only in the proper and intended manner.

- Fluorescent tube