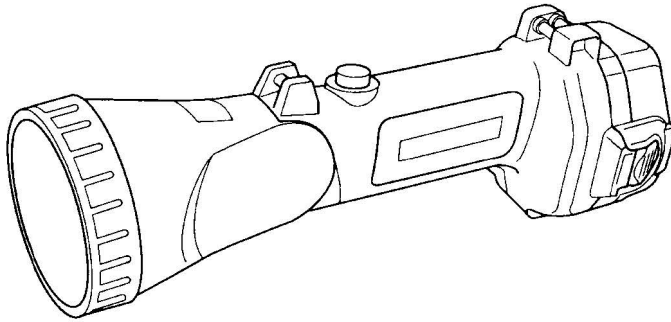
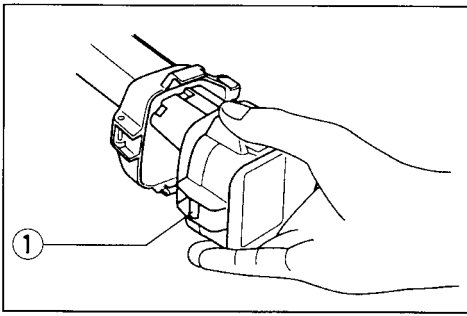


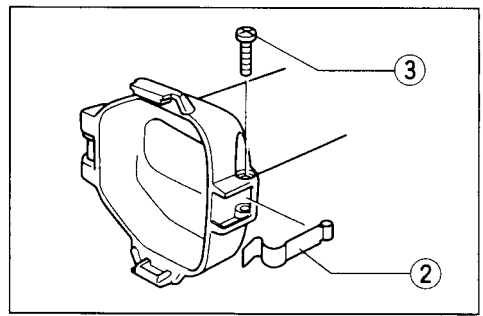
Makita

ML120/ML140

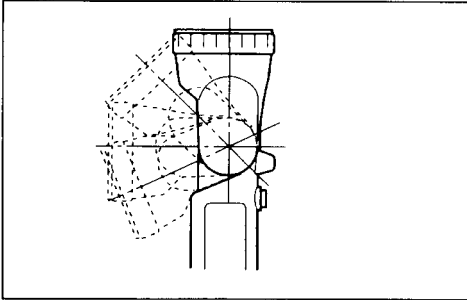




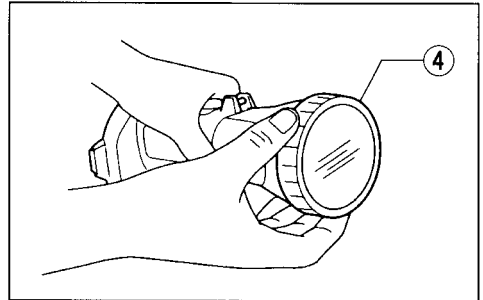
1



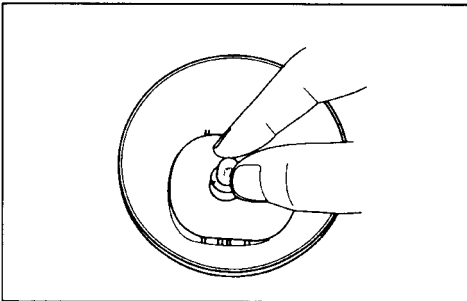
2



3



4



5

- ① Battery cartridge
- ② Set plate

- ③ Screw

- ④ Ring

SPECIFICATIONS

Model	ML120	ML140
Bulb	12 V 0.7 A	12 V 0.7 A
Dimensions (L x W x H)	272 mm x 94 mm x 98 mm (10-11/16" x 3-11/16" x 3-7/8")	272 mm x 94 mm x 107 mm (10-11/16" x 3-11/16" x 4-3/16")
Net weight	0.3 kg (0.66 lbs)	0.3 kg (0.66 lbs)

- Due to the continuing program of research and development, the specifications herein are subject to change without prior notice.
- Note: Specifications may differ from country to country.

IMPORTANT SAFETY INSTRUCTIONS

WARNING:

When using electric tools, basic safety precautions should always be followed to reduce the risk of fire, electric shock, and personal injury, including the following:

READ ALL INSTRUCTIONS.

1. **Read this instruction manual and the charger instruction manual carefully before use.**
2. **This flashlight is not water-proof. Do not use it in damp or wet locations. Do not expose it to rain or snow. Do not wash it in water.**
3. **A short-circuit can cause a large current flow, overheating, possible burns and even a breakdown.**
 - (1) **Do not touch the inside of the flashlight head with tweezers, metal tools, etc.**
 - (2) **Do not touch the battery terminals with any conductive material.**
 - (3) **Avoid storing the battery cartridge in a container with any metal objects such as nails, coins, etc.**
4. **Never expose the battery cartridge to flames, fire or great heat. Breakage may cause release of injurious material.**
5. **Do not disassemble the charger or battery cartridge; take it to a qualified serviceman when service or repair is required. Incorrect reassembly may result in a risk of electric shock or fire.**
6. **If any problem develops, consult your nearest Makita Service Center or dealer. To maintain product safety and reliability, repairs, maintenance or adjustment should be carried out by Makita Authorized Service Center.**

SAVE THESE INSTRUCTIONS.

OPERATING INSTRUCTIONS

Charging

Charge the battery cartridge with the Makita charger before use. To remove the battery cartridge, withdraw it from the flashlight while pressing the buttons on both sides of the cartridge. After charging, insert the battery cartridge into the flashlight all the way until it locks in place with a little click. (Fig. 1)

NOTE:

Battery cartridges 1200, 1201, 1202, 1202A can be used on ML120 if you install the set plate. Install the set plate on ML120 with the screw provided as shown in Fig. 2.

The following tables indicate the operating time on a single charge.

ML120

Battery cartridge	Battery 1200/1220	Battery 1201	Battery 1202/1202A/1222	Battery 1233
Operating time	Approx. 100 min.	Approx. 130 min.	Approx. 150 min.	Approx. 170 min.

(Note)

If you use a power checking battery on Model ML120, the power checking battery will not indicate the remaining battery capacity properly.

ML140

Battery cartridge	Battery 1422	Battery 1433
Operating time	Approx. 150 min.	Approx. 170 min.

Head angle (Fig. 3)

The head angle can be adjusted in four stages. Adjust as desired.

Replacing bulb (Fig. 4 & 5)

CAUTION:

The bulb is very hot immediately after operation. Wait until the bulb cools off before attempting to replace it.

First, turn the ring counterclockwise and remove the reflector. Then replace the bulb.

MAINTENANCE

To maintain product safety and reliability, repairs, maintenance or adjustment should be carried out by Makita Authorized Service Center.