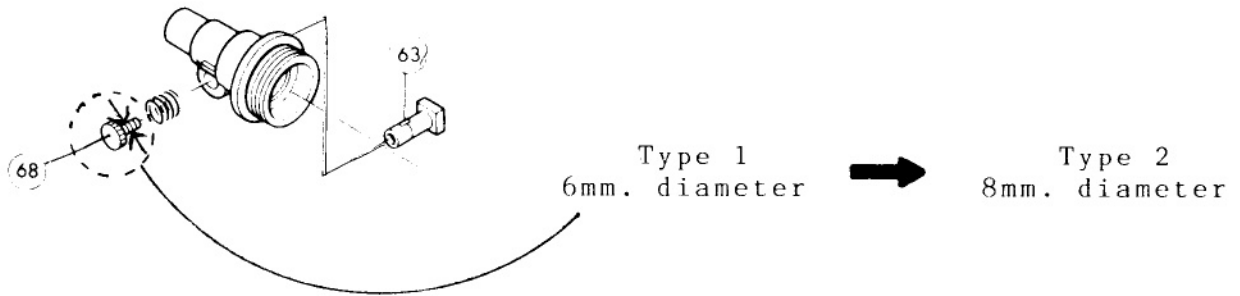


SERVICE CHANGE

1.Changes on Tool Retainer and Bolt.



Item No.	Description	Type 1	Type 2
63	Tool Retainer	Part # 331264-8 (Discontinued)	Part # 331301-8
68	Bolt	Part # 265854-4 (Size: M6x12)	Part # 265890-0 (Size: M8x12)

The above parts are completely interchangeable as a set.

REPAIR NOTE

Tightening Torque of type 1 Bolt is 8.7~11.6 ft./lb.;
type 2 Bolt is 15.9~18.8 ft/lb.

2.Change on Y Ring and Impact Bolt.

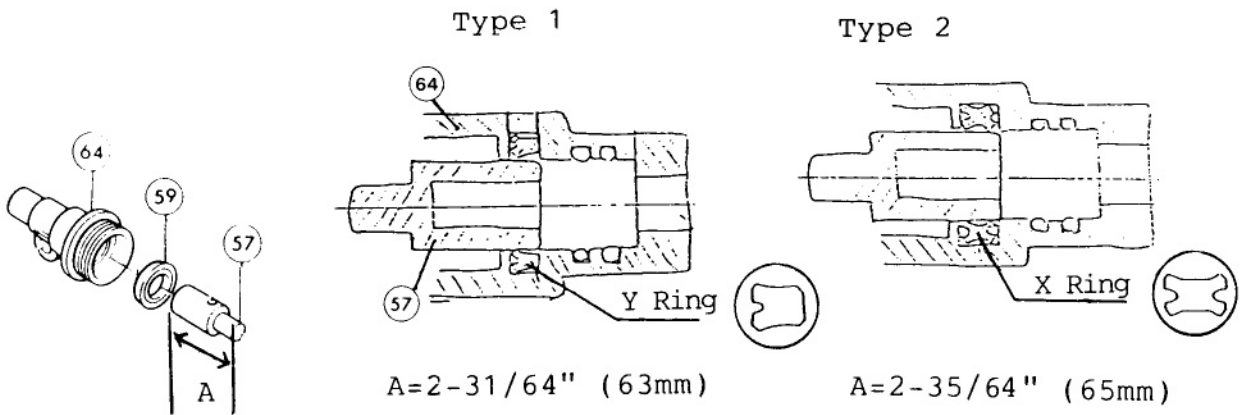


FIG.	DESCRIPTION	TYPE 1	TYPE 2
57	Impact Bolt	Part# 321737-9 (Discontinued)	Part# 322218-6 (Discontinued) See Service Change 7
59	-----	Part# 213410-4 Y Ring 28	Part# 213428-5 X Ring 28 (Discontinued)
64	Tool Holder	Part# 321711-7 (Discontinued)	Part# 322221-7 See Service Change 7

The above parts are interchangeable as a set.

3. Change on Cylinder Liner and Washer.

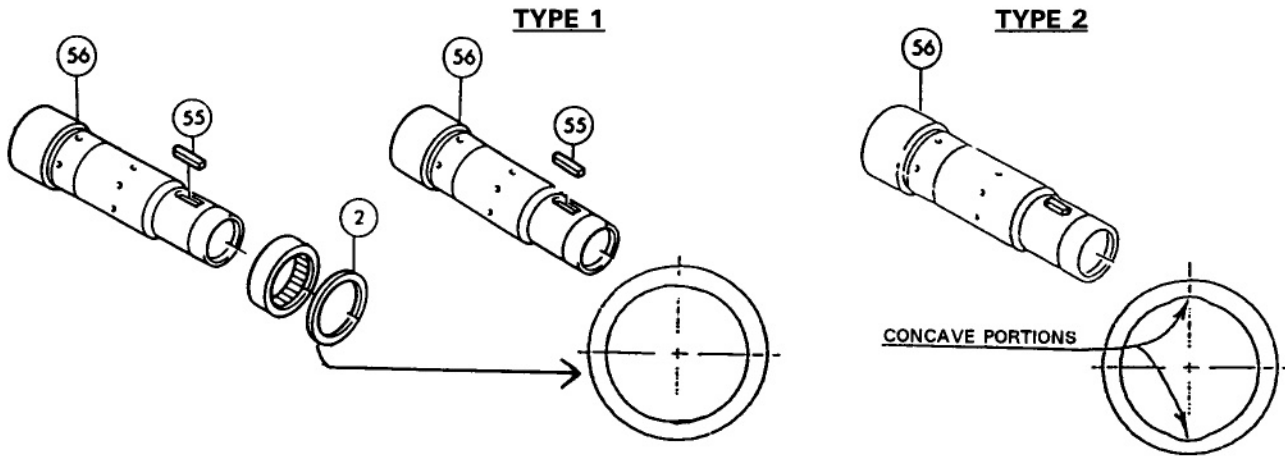


FIG.	DESCRIPTION	TYPE 1	TYPE 2
2	Flat Washer	Part #253831-8 (Discontinued)	Part #267057-6
55	Key 4	Part #254205-6	-----
56	Cylinder Liner	Part #321372-3 (Discontinued)	Part #152335-6 (Incl. 2 each Key 4)

SERVICE NOTE

Type 2 Cylinder Liner will fit the Type 1 Washer by removing 1 each of the Key 4 out of the Cylinder Liner. The Key 4 can be easily removed with pliers.

4. Change on Cushion Plate. Rubber Rings have been added.

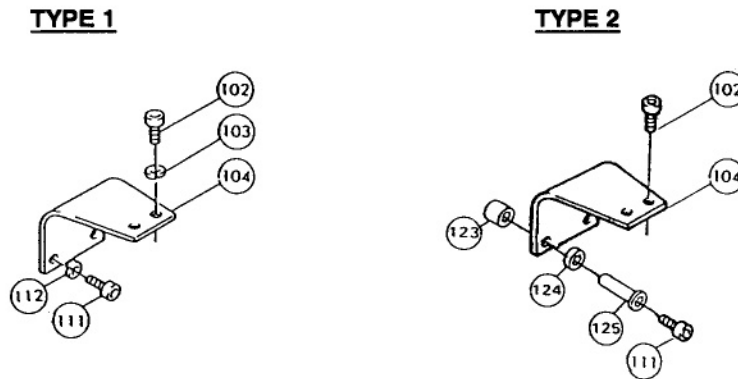
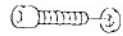


FIG.	DESCRIPTION	TYPE 1	TYPE 2
102	H.S.H. Bolt, W/Spring Washer	Part #922317-0 M6x14	Part #922316-2 M6x14
103/112	Spring Washer 6	Part #942151-2	-----
104	Cushion Plate	Part #342613-4 (Discontinued)	Part #343754-9
111	H.S.H. Bolt, W/Spring Washer	Part #922317-0 M6x14	Part #922341-3 M6x25
123	Rubber Ring 9	-----	Part #262051-3
124	Rubber Ring 9	-----	Part #262052-1
125	Sleeve 6	-----	Part #257636-8

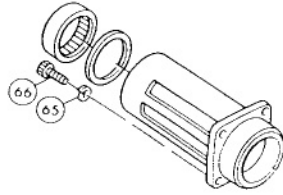
The above items are interchangeable as a set.

5) Change on Hex Socket Head Bolts.

TYPE 1



HEX SOCKET HEAD BOLT



TYPE 2



HEX SOCKET HEAD BOLT
with WASHER

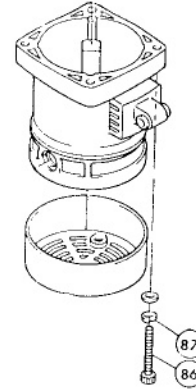
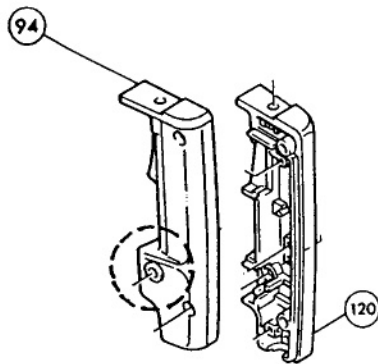
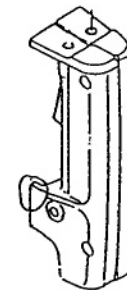


FIG. NO.	DESCRIPTION	TYPE 1 PART NUMBER	TYPE 2 PART NUMBER
65	Spring Washer 6	942151-2	922341-3
66	Hex. Socket Head Bolt M6X25	922342-1	with Washer
86	Hex Socket Head Bolt M6X55	922377-2	922376-4
87	Spring Washer 6	942151-2	with Washer

6) Change on Handle.



Type 1
(Flush)



Type 2
(Has a Lip)

FIG.	DESCRIPTION	TYPE 1	TYPE 2
94	Handle (L)	Part #410228-6 (Discontinued)	Part #182564-7 Handle Set
120	Handle (R)	Part #410410-7 (Discontinued)	

The above parts are interchangeable as a set.

7)

SERVICE CHANGE

The Tool Holder and Impact Bolt have been changed and a Cap has been added.

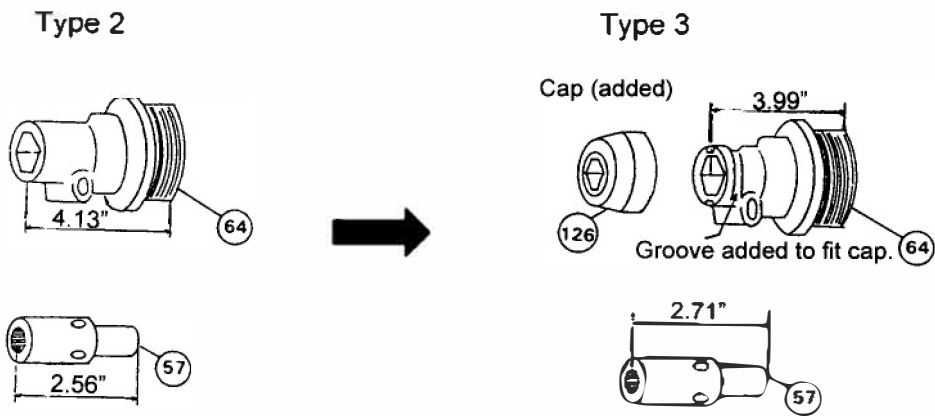


Fig.	Description	Type 2	Type 3
57	Impact Bolt	Part #322218-6 (Discontinued)	Part #323718-9
64	Tool Holder	Part #322221-7 (Discontinued)	Part #323717-1
126	Cap	-----	Part #421596-2

The above parts are completely interchangeable as a set.