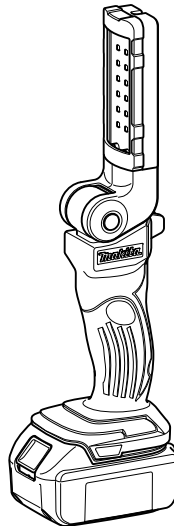


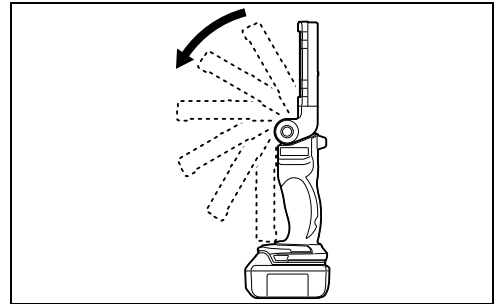
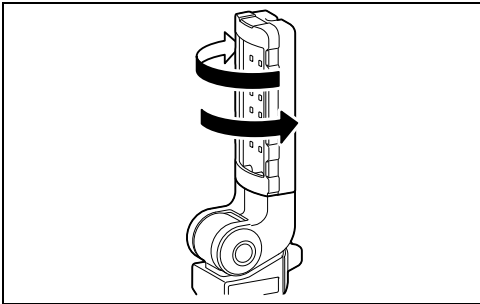
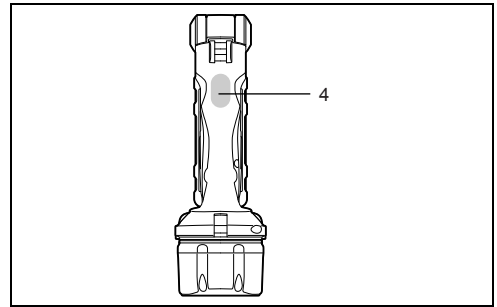
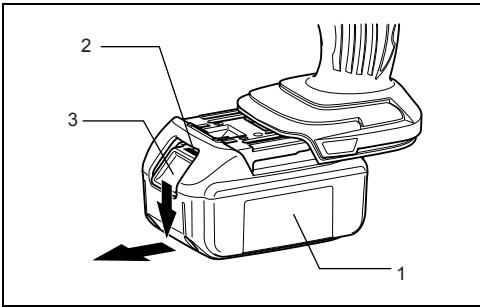


Rechargeable Flash light

Instruction manual

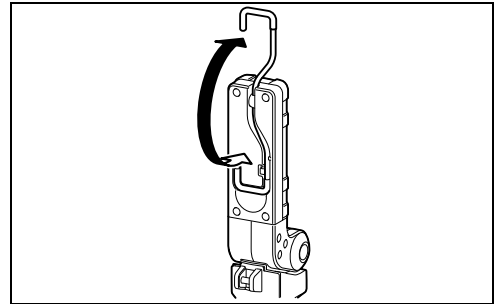
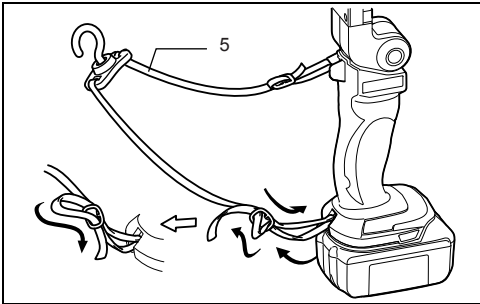
DML801





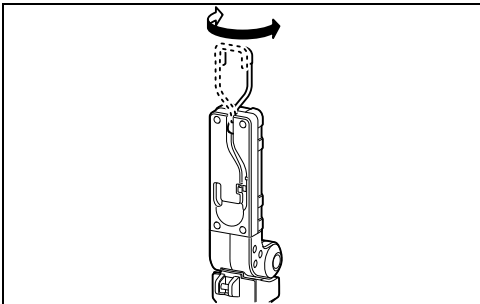
3

4



5

6



7

Explanation of general view

- | | | |
|----------------------|-----------|-------------------|
| 1. Battery cartridge | 3. Button | 5. Shoulder strap |
| 2. Red indicator | 4. Switch | |

SPECIFICATIONS

Model	DML801
Voltage	14.4 V / 18 V
LED	0.51 W X 12 pcs
Operating time	LED X 12 pcs
	Approx. 3 hours (BL1415)
	Approx. 7 hours (BL1430)
	Approx. 11 hours (BL1440)
	Approx. 4 hours (BL1815)
	Approx. 5 hours (BL1815N)
	Approx. 9 hours (BL1830)
	Approx. 14 hours (BL1840)
	LED X 6 pcs
	Approx. 8 hours (BL1415)
	Approx. 16 hours (BL1430)
	Approx. 25 hours (BL1440)
	Approx. 10 hours (BL1815)
	Approx. 13.5 hours (BL1815N)
Approx. 22 hours (BL1830)	
Approx. 34 hours (BL1840)	
Dimensions	Extended (without hook)
	380 mm X 79 mm X 116 mm (15" x 3-1/8" x 4-9/16") (with battery BL1830)
Folded	246 mm X 79 mm X 116 mm (9-11/16" x 3-1/8" x 4-9/16") (with battery BL1830)
Net weight	0.68 kg (1.5 lbs) (with battery BL1415)
	0.86 kg (1.9 lbs) (with battery BL1430/BL1440)
	0.7 kg (1.5 lbs) (with battery BL1815/BL1815N)
	0.97 kg (2.1 lbs) (with battery BL1830/BL1840)

IMPORTANT SAFETY INSTRUCTIONS

WARNING:

When using electric tools, basic safety precautions should always be followed to reduce the risk of fire, electric shock, and personal injury, including the following:

READ ALL INSTRUCTIONS.

1. Before using battery cartridge, read all instructions and cautionary markings on (1) battery charger, (2) battery, and (3) product using battery.
2. Recharge only with the charger specified by the manufacturer. A charger that is suitable for one type of battery pack may create a risk of fire when used with another battery pack.
3. Use a power source with the voltage specified on the nameplate of the charger.
4. Do not attempt to use a step-up transformer, an engine generator or DC power receptacle.
5. Charge the battery cartridge with room temperature at 10°C - 40°C (50°F - 104°F).

6. When battery pack is not in use, keep it away from other metal objects like paper clips, coins, keys, nails, screws, or other small metal objects that can make a connection from one terminal to another. Shorting the battery terminals together may cause sparks, burns, or a fire.
7. After charging or before attempting any maintenance or cleaning, unplug the charger from the power source.
8. This battery holder part is not waterproof. Do not use it in damp or wet locations. Do not expose it to rain or snow. Do not wash it in water.
9. Do not touch the inside of the flashlight head with tweezers, metal tools, etc.
10. Under abusive conditions, liquid may be ejected from the battery, avoid contact. If contact accidentally occurs, flush with water. If liquid contacts eyes, additionally seek medical help. Liquid ejected from the battery may cause irritation or burns.

11. Do not short the battery cartridge:
 - (1) Do not touch the terminals with any conductive material.
 - (2) Avoid storing battery cartridge in a container with other metal objects such as nails, coins, etc.
 - (3) Do not expose battery cartridge to water or rain.
 A battery short can cause a large current flow, overheating, possible burns and even a breakdown.
12. If electrolyte gets into your eyes, rinse them out with clear water and seek medical attention right away. It may result in loss of your eyesight.
13. Be careful not to drop or strike battery.
14. Do not incinerate the battery cartridge even if it is severely damaged or is completely worn out. The battery cartridge can explode in a fire.

⚠ CAUTION:

1. When the tool is not in use, always switch off and remove the battery cartridge from the tool.
2. Do not store the tool and battery cartridge in locations where the temperature may reach or exceed 50°C (122°F).
3. Do not give the tool a shock by dropping, striking, etc.
4. Do not expose the light to eyes continuously. It may hurt them.
5. Do not cover or clog the lit tool with cloth or carton, etc. Covering or clogging it may cause a flame.
6. Do not disassemble the charger or battery cartridge; take it to a qualified serviceman when service or repair is required. Incorrect reassembly may result in a risk of electric shock or fire.
7. Use the tools only with specifically designated battery packs. Use of any other battery packs may create a risk of injury and fire.
8. If operating time has become excessively shorter, stop operating immediately. It may result in a risk of overheating, possible burns and even an explosion.
9. Do not use a damaged battery.
10. Charge the battery cartridge before completely discharged. Always stop tool operation and charge the battery cartridge when you notice less tool power.
11. Never recharge a fully charged battery cartridge. Overcharging shortens the battery service life.
12. If any problem develops, consult your nearest Makita Service Center or dealer. To maintain product safety and reliability, repairs, maintenance or adjustment should be carried out by Makita Authorized Service Center.
13. Charge the battery cartridge once in every six months if you do not use it for a long period of time.

SAVE THESE INSTRUCTIONS.

FUNCTIONAL DESCRIPTION

Charging

Charge the battery cartridge with the Makita charger before use.

Installing or removing battery cartridge (Fig. 1)

- Always switch off the tool before installing or removing of the battery cartridge.

- To remove the battery cartridge, slide it from the tool while sliding the button on the front of the cartridge.
- To install the battery cartridge, align the tongue on the battery cartridge with the groove in the housing and slip it into place. Always insert it all the way until it locks in place with a little click. If you can see the red indicator on the upper side of the button, it is not locked completely. Install it fully until the red indicator cannot be seen. If not, it may accidentally fall out of the tool, causing injury to you or someone around you.
- Do not use force when installing the battery cartridge. If the cartridge does not slide in easily, it is not being inserted correctly.

Battery protection system

The protection system is equipped, which automatically cuts off the output power for its long service life. The light goes off during operation when the remaining battery capacity gets low. This is caused by the activation of protection system and does not show the light trouble. Remove the battery cartridge from the light and charge it.

Switch action (Fig. 2)

⚠ CAUTION:

- Do not look in the LED light or see the source of light directly.

The LED light has a cycle of the three-ways status as follows.

Switch action	Light status
1st press	All LED lights are on.
2nd press	Only 6 LED lights are on.
3rd press	All LED lights are off.

Head angle

The head can be turned in seven stages for every 45°. (90° to the right and 180° to the left) (Fig. 3) And the head angle can be folded between 0 and 180° for every 30°. (Fig. 4)

Strap

Install the strap on the tool. (Fig. 5)

Metal hook

Pivot the metal hook upright before using it. (Fig. 6) The hook can be turned at 360°. (Fig. 7)

MAINTENANCE

⚠ CAUTION:

- Never use gasoline, benzine, thinner, alcohol or the like. Discoloration, deformation or cracks may result. To maintain product SAFETY and RELIABILITY, repairs, any other maintenance or adjustment should be performed by Makita Authorized Service Centers, always using Makita replacement parts.

OPTIONAL ACCESSORIES

⚠ CAUTION:

These accessories or attachments are recommended for use with your Makita tool specified in this manual. The use of any other accessories or attachments might

present a risk of injury to persons. The accessories or attachments should be used only in the proper and intended manner.

- Various type of Makita genuine batteries and chargers

NOTE:

- Some items in the list may be included in the tool package as standard accessories. They may differ from country to country.