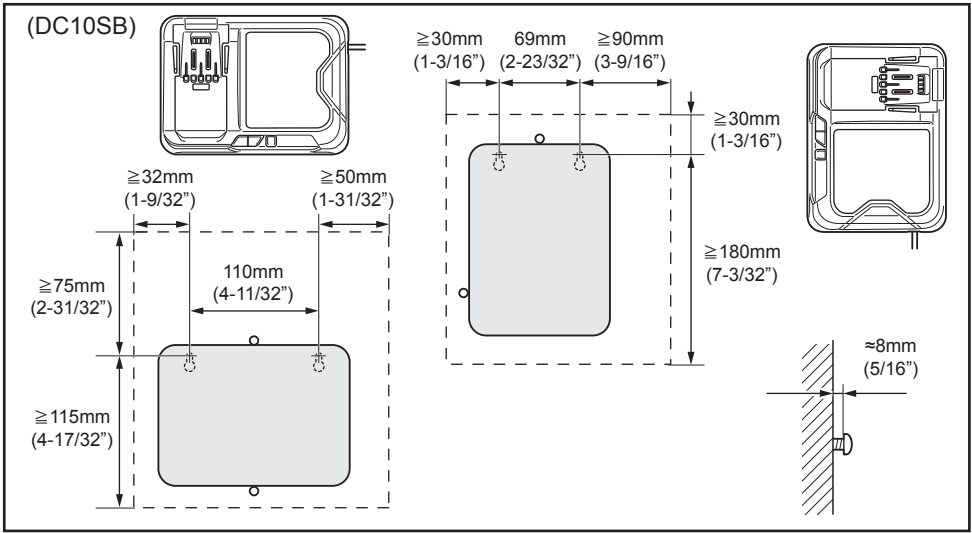


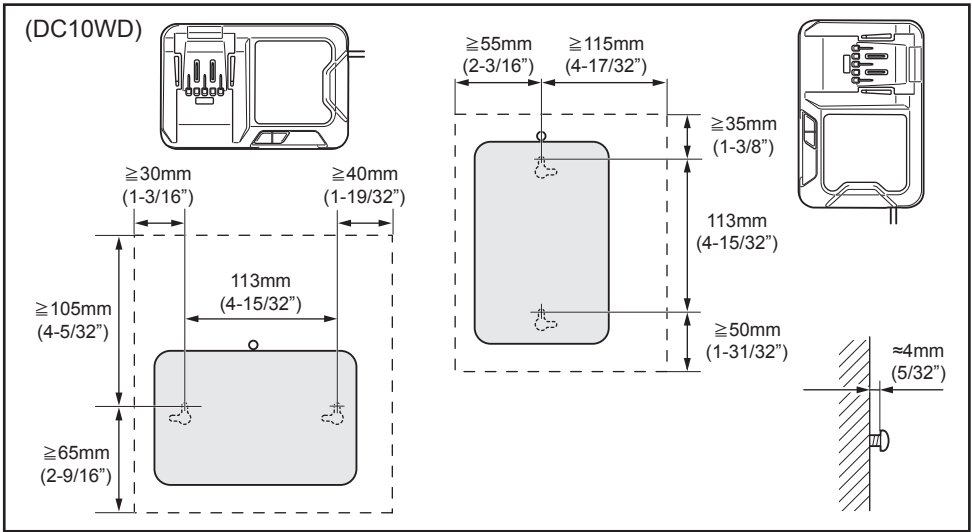


**DC10SB**  
**DC10WD**

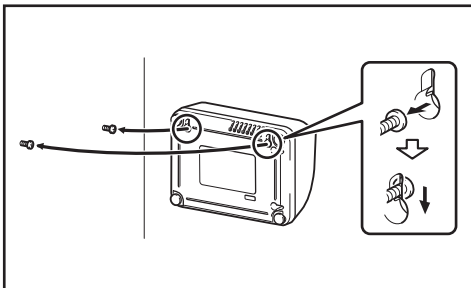
**IMPORTANT:** Read Before Using.



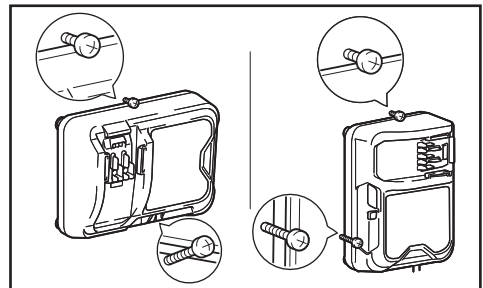
1



2



3



4

2

## Symbols

The followings show the symbols used for the equipment. Be sure that you understand their meaning before use.



- Indoor use only.



- Read instruction manual.



- DOUBLE INSULATION



- Ready to charge.



- Charging.



- Charging complete.



- Delay charge (Battery cooling, or too cold battery).



- Defective battery.



- Delay charge (Too hot or too cold battery).



- Cooling abnormality.



- Do not short battery.



- Do not destroy battery by fire.



- Do not expose battery to water or rain.



- Always recycle battery.

## Specification:

Model	DC10SB	DC10WD
Input	A.C. 120 V 50 – 60 HZ	
Output	D.C. 10.8 V – D.C. 12 V (max.)	
Weight	0.63 kg (1.5 lbs)	0.35 kg (0.77 lbs)

- Due to our continuing program of research and development, the specifications herein are subject to change without notice.
- Specifications may differ from country to country.
- Weight according to EPTA-Procedure 01/2003

# IMPORTANT SAFETY INSTRUCTIONS

## CAUTION:

## 1. SAVE THESE INSTRUCTIONS

- This manual contains important safety and operating instructions for battery charger.
- Before using battery charger, read all instructions and cautionary markings on (1) battery charger, (2) battery, and (3) product using battery.
  - CAUTION** – To reduce risk of injury, charge only Makita type rechargeable batteries. Other types of batteries may burst causing personal injury and damage.
  - Non-rechargeable batteries cannot be charged with this battery charger.
  - Use a power source with the voltage specified on the nameplate of the charger.
  - Do not charge the battery cartridge in presence of flammable liquids or gases.
  - Do not expose charger to rain or snow.
  - Never carry charger by cord or yank it to disconnect from receptacle.
  - After charging or before attempting any maintenance or cleaning, unplug the charger from the power source. Pull by plug rather than cord whenever disconnecting charger.
  - Make sure cord is located so that it will not be stepped on, tripped over, or otherwise subjected to damage or stress.
  - Do not operate charger with damaged cord or plug. If the cord or plug is damaged, ask Makita authorized service center to replace it in order to avoid a hazard.
  - Do not operate or disassemble charger if it has received a sharp blow, been dropped, or otherwise damaged in any way; take it to a qualified serviceman. Incorrect use or reassembly may result in a risk of electric shock or fire.
  - The battery charger is not intended for use by young children or infirm persons without supervision.
  - Young children should be supervised to ensure that they do not play with the battery charger.
  - Do not charge battery cartridge when room temperature is BELOW 10°C (50°F) or ABOVE 40°C (104°F). At the cold temperature, charging may not start.
  - Do not attempt to use a step-up transformer, an engine generator or DC power receptacle.
  - Do not allow anything to cover or clog the charger vents.

## Charging

1. Plug the battery charger into the proper AC voltage source. Charging light will flash in green color repeatedly.
2. Insert the battery cartridge into charger until it stops adjusting to the guide of charger.
3. When the battery cartridge is inserted, the charging light color will change from green to red and charging will begin. The charging light will keep lighting up steadily during charging. One red charging light indicates charged condition in 0 – 80% and red and green ones indicate 80 – 100%. The 80% indication mentioned above is approximate value. The indication may differ according to battery temperature or battery condition.
4. With finish of charge, the charging lights will change from red and green ones to green one.
5. Charging time varies by temperature (10°C (50°F) – 40°C (104°F)) that battery cartridge is charged at and conditions of the battery cartridge, such as a battery cartridge which is new or has not been used for a long period of time.
6. After charging, remove the battery cartridge from charger and unplug the charger.

Voltage	10.8 V – 12 V (max.)	Charging time (Minutes)	
Number of cells	3	DC10SB	DC10WD
Li-ion Battery cartridge	BL1016	22	50
	BL1021B	30	70
	BL1041B	60	130

### NOTE:

- The battery charger is for charging Makita-battery cartridge. Never use it for other purposes or for other manufacturer's batteries.
- If charging light may flash in red color, battery condition is as below and charging may not start.
  - Battery cartridge from just-operated tool or battery cartridge that has been left in a location exposed to direct sunlight for a long time.
  - Battery cartridge that has been left for a long time in a location exposed to cold air.

When the battery cartridge is too hot, charging does not begin until the battery cartridge temperature reaches the degree at which charging is possible.

- If the charging light flashes alternately in green and red color, charging is not possible. The terminals on the charger or battery cartridge are clogged with dust or the battery cartridge is worn out or damaged.

### Cooling system (only for DC10SB)

- This charger is equipped with cooling fan for heated battery in order to enable the battery to prove its own performance. Sound of cooling air comes out during cooling, which means no trouble on the charger.
- Yellow light will flash for warning in the following cases.
  - Trouble on cooling fan
  - Incomplete cool down of battery, such as, being clogged with dust

The battery can be charged in spite of the yellow warning light. But the charging time will be longer than usual in this case. Check the sound of cooling fan, vent on the charger and battery, which can be sometime clogged with dust.

- The cooling system is in order although no sound of cooling fan comes out, if the yellow warning light will not flash.
- Always keep clean the vent on charger and battery for cooling.
- The products should be sent to repair or maintenance, if the yellow warning light will frequently flash.