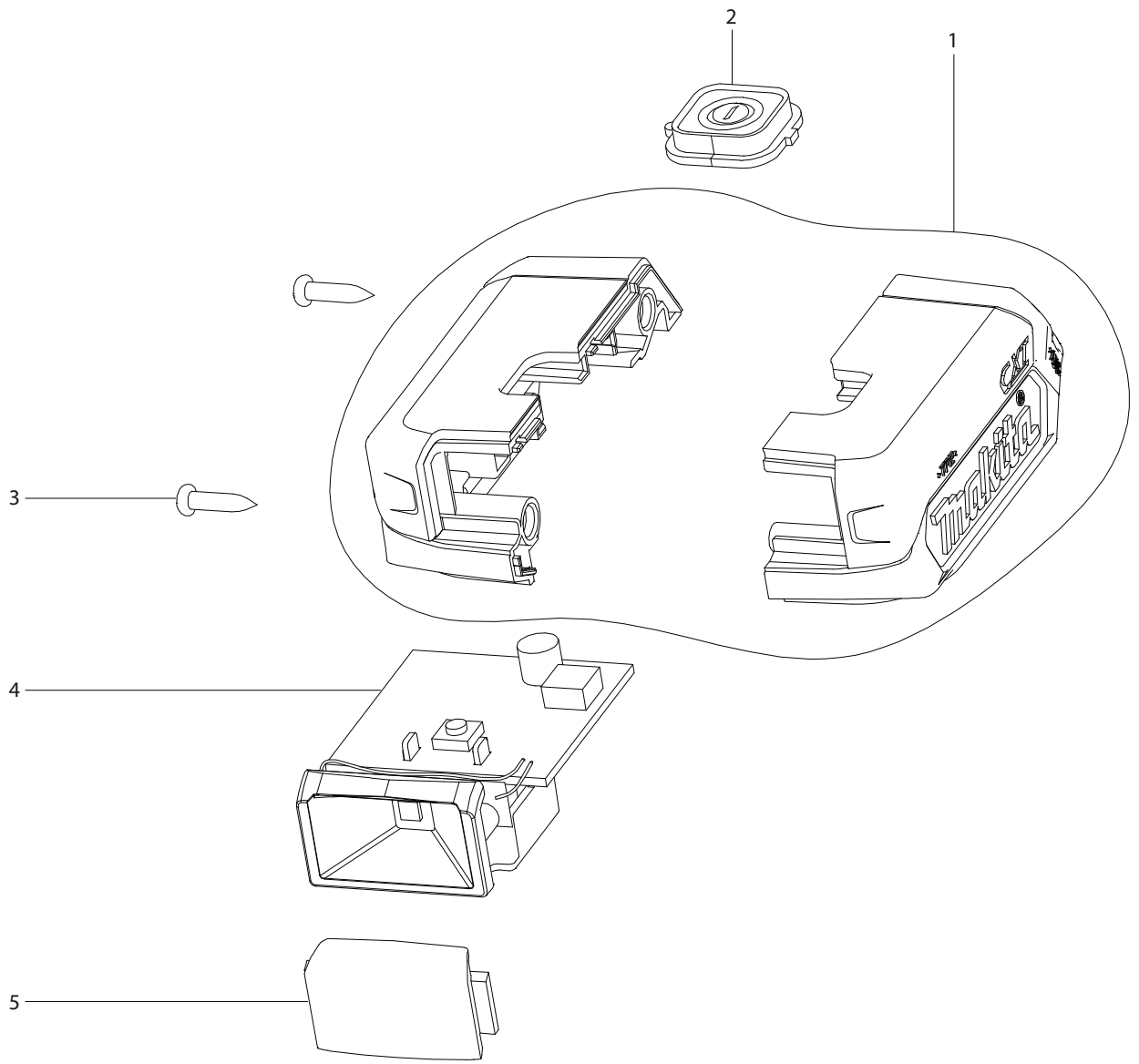


## Model DT03R1/Z Parts List

A = Standard Equipment

O = Circuit Diagram

Item#	Part#	Description	Q'ty	Unit
001	183B49-8	HOUSING SET	1	
	C10 252126-6	HEX. LOCKING NUT M4-7	2	PC.
	D10	INC. 31		
002	851G84-1	DT03 NAME PLATE	1	
003	266429-2	TAPPING SCREW 3X16	8	PC.
005	456039-5	F/R CHANGE LEVER	1	
006	632F43-6	SWITCH UNIT	1	
	C10 620463-0	LED CIRCUIT	1	
008	644813-5	TERMINAL	1	
009	231965-7	RING SPRING 10	1	PC.
010	267143-3	FLAT WASHER 11	1	PC.
011	233005-7	COMPRESSION SPRING 13	1	PC.
012	324711-6	BIT SLEEVE	1	PC.
013	424737-9	BUMPER	1	PC.
014	143277-5	HAMMER CASE COMPLETE	1	
015	261140-1	NYLON WASHER 20	1	PC.
016	216019-1	STEEL BALL 3	2	PC.
017	324895-0	ANVIL M	1	PC.
018	324894-2	HAMMER	1	PC.
019	216019-1	STEEL BALL 3	24	PC.
020	267380-9	FLAT WASHER 20	1	PC.
021	234064-4	COMPRESSION SPRING 21	1	PC.
022	267813-4	WASHER 21	1	PC.
023	216002-8	STEEL BALL 4.8	2	PC.
024	227213-0	SPUR GEAR 17	2	PC.
025	324897-6	SPINDLE	1	PC.
026	268217-3	PIN 3.5	2	PC.
027	253052-2	FLAT WASHER 12	1	PC.
028	227215-6	INTERNAL GEAR 43	1	PC.
029	158671-8	BEARING BOX COMPLETE	1	PC.
030	629163-9	DC MOTOR	1	
031	183B49-8	HOUSING SET	1	
	C10 252126-6	HEX. LOCKING NUT M4-7	2	PC.
	D10	INC. 1		
A01	266622-8	+ TRUSS HEAD SCREW M4X12	1	PC.
A02	346909-5	HOOK	1	
A03	784244-7	+ BIT 2-50	1	PC.
A04	456128-6	BATTERY COVER	1	(DT03R1)
A05	***DC10WD	DC10WD BATTERY CHARGER	1	(DT03R1)
A06	BL1021B	BATTERY BL1021B	2	(DT03R1)
A07	821661-1	PLASTIC CARRYING CASE	1	(DT03R1)
	C10 417724-5	LATCH	2	PC. (DT03R1)
E01	807H20-1	CAUTION LABEL	1	

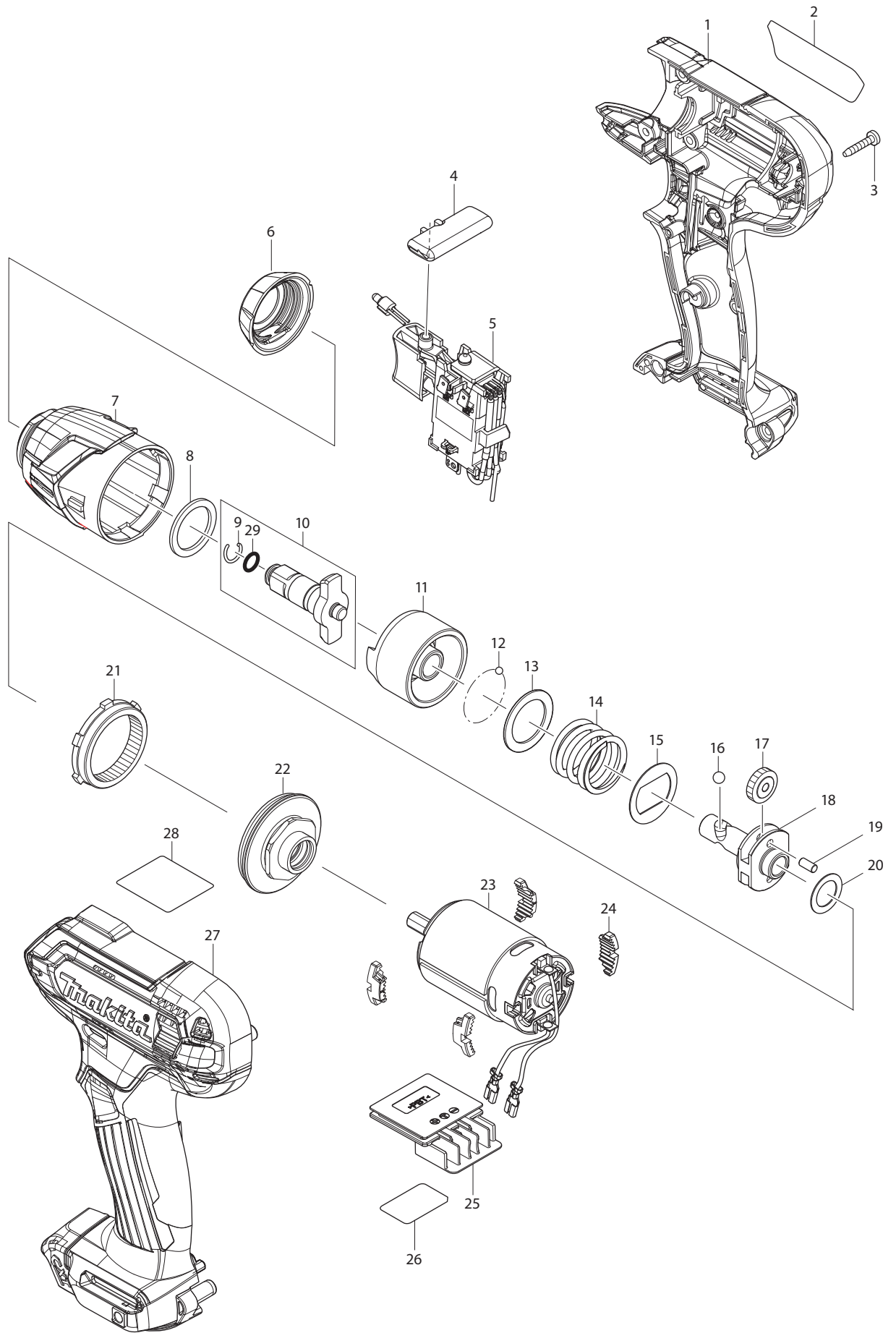


## Model ML103 Parts List

A = Standard Equipment

O = Circuit Diagram

Item#	Part#	Description	Q'ty	Unit
001	GM00001496	HOUSING L/R ASS' Y ROS81030003	1	PC.
002	GM00001495	SWITCH HOLDER ASSY ROS81030002	1	PC.
003	GM00001024	SCREW 3X12 B0130120202	2	PC.
004	GM00001493	MAIN CIRCUIT ASSY ROS81030001	1	PC.
005	GM00001492	LENZ ROS81030000	1	PC.



## Model WT02 R1/Z Parts List

A = Standard Equipment

O = Circuit Diagram

Item#	Part#	Description	Q'ty Unit
001	183J75-5	HOUSING SET	1 PC.
	C10 252126-6	HEX. LOCKING NUT M4-7	2 PC.
	D10	INC. 27	
002	854M37-5	WT02 NAME PLATE	1 PC.
003	266429-2	TAPPING SCREW 3X16	8 PC.
004	456039-5	F/R CHANGE LEVER	1 PC.
005	632M06-4	SWITCH UNIT	1 PC.
006	422228-4	BUMPER	1 PC.
007	140B03-5	HAMMER CASE COMPLETE	1 PC.
008	261140-1	NYLON WASHER 20	1 PC.
009	233943-3	RING SPRING 8	1 PC.
010	135932-3	ANVIL ASS'Y	1 PC.
	D10	INC. 9,29	
011	324894-2	HAMMER	1 PC.
012	216019-1	STEEL BALL 3	24 PC.
013	267380-9	FLAT WASHER 20	1 PC.
014	234064-4	COMPRESSION SPRING 21	1 PC.
015	267813-4	WASHER 21	1 PC.
016	216002-8	STEEL BALL 4.8	2 PC.
017	226190-3	SPUR GEAR 18	2 PC.
018	327127-4	SPINDLE	1 PC.
019	268217-3	PIN 3.5	2 PC.
020	253052-2	FLAT WASHER 12	1 PC.
021	226191-1	INTERNAL GEAR 45	1 PC.
022	140B04-3	BEARING BOX COMPLETE	1 PC.
	C10 213188-9	O-RING 13	1 PC.
023	632L96-1	MOTOR COMPLETE	1 PC.
024	422273-9	CUSHION	4 PC.
025	644813-5	TERMINAL	1 PC.
026	854M44-8	WT02 SERIAL NO. LABEL	1 PC.
027	183J75-5	HOUSING SET	1 PC.
	C10 252126-6	HEX. LOCKING NUT M4-7	2 PC.
	D10	INC. 1	
028	817D86-9	CAUTION LABEL	1 PC.
029	213960-9	O RING 5	1 PC.
A01	266622-8	+ TRUSS HEAD SCREW M4X12	1 PC.
A02	346909-5	HOOK	1 PC.
A03	831497-0	TOOL BAG	1 PC. (WT02R1)
A07	***DC10WD	DC10WD BATTERY CHARGER	1 PC. (WT02R1)
	D10	COMPO-PARTS	
A08	BL1021B	BATTERY BL1021B SET (197414-3)	2 PC. (WT02R1)
A09	456128-6	BATTERY COVER	2 PC. (WT02R1)