

Makita®

4-1/2" ANGLE GRINDER

SJS TECHNOLOGY PROTECTS MOTOR AND GEARS

- Powerful 10.0 AMP Motor Delivers More Output and 10,500 RPM for the Most Demanding Applications
- Spiral Bevel Gears for Smoother Rotations and More Efficient Transfer of Energy
- Large Paddle Switch with Lock-off for Comfortable Operation
- "Tool-less" Wheel Guard Adjustment for Easy Adjustment



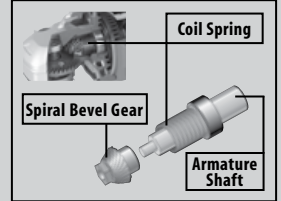
**Model
9564P**



**shown with optional abrasive wheel

INNOVATION

SJS - SUPER JOINT SYSTEM



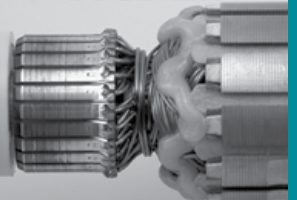
The drive shaft from the armature to the drive gear is spring loaded.



If the wheel is forced to stop, the spring is compressed allowing the drive shaft to slip.

Result: Gear tension is minimized for longer gear life. Armature continues to rotate which helps prevent motor burn-out.

DURABILITY



Protective zig-zag varnish protects the armature coil by deflecting dust & debris

COMFORT



Large paddle switch with lock-off and no lock-on feature

INNOVATION & PERFORMANCE.

4-1/2" ANGLE GRINDER

Model 9564P

FEATURES & BENEFITS

- Powerful 10.0 AMP motor delivers more output and 10,500 RPM for the most demanding applications
- Super Joint System® (SJS) technology helps prevent motor and gear damage by allowing the drive shaft to slip if the wheel is forced to a stop
- Large paddle switch with lock-off for comfortable operation
- "Tool-less" wheel guard adjustment for easy adjustment
- Spiral bevel gears for smoother rotations and a more efficient transfer of energy
- Protective zig-zag varnish protects the armature coil by deflecting dust and debris
- Labyrinth construction seals and protects the motor and bearings from dust and debris for longer tool life

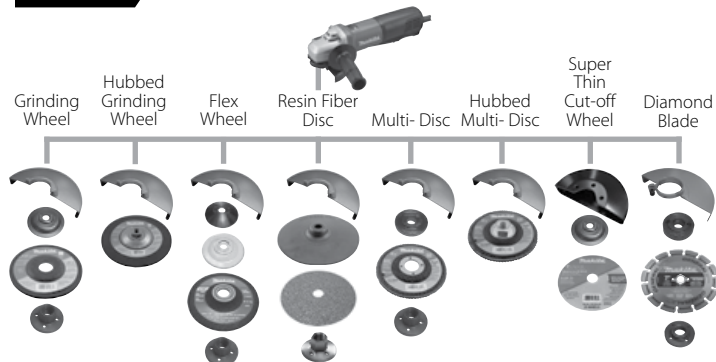
STANDARD EQUIPMENT

- "Tool-less" wheel guard (135107-4)
- Inner flange (224399-1)
- Lock-nut (193465-4)
- Side handle (153489-2)
- Lock nut wrench (782424-9)

SPECIFICATIONS

Grinding wheel/Sanding disc	4-1/2"
Wire cup brush	3-1/2"
No load speed	10,500 RPM
Spindle thread	5/8" - 11 UNC
AMPS (115V)	10
Lock-on: No	Lock-off: Yes
Overall length	12-1/8"
Net weight	5.1 lbs.
Shipping weight	7.2 lbs.
UPC code	088381-638432

OPTIONAL ACCESSORIES



Model 9564P

