



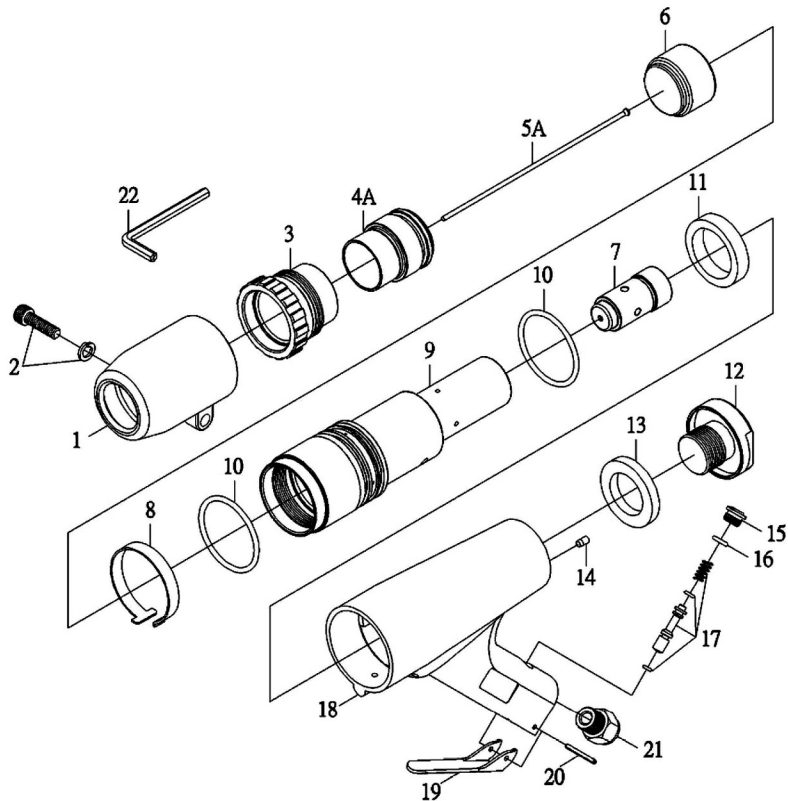
Air Pistol Needle Scaler

Item No : SN-2128

● The consumable parts ▲ The replacement parts ★ The non-replacement parts



Part List SN-2128



	NO.	INDEX NO.	DESCRIPTION	Q'TY
★	1	SN-2128P01	ROUND NEEDLE GUIDE ASS'Y	1
★	2	SN-2128P02	HEX SOC. HEAD BOLT	1
★	3	SN-2128P03	STOP RING	1
★	4	SN-2128P04A	NEEDLE SUPPORTER (3 MM)	1
●	5	SN-2128T05A	NEEDLE (Ø3 X 180MM)-28pcs	1 SET
★	6	SN-2128P06	THROTTLE ANVIL	1
★	7	SN-2128P07	PISTON	1
★	8	SN-2128P08	SAFETY BAND	1
★	9	SN-2128P09	CYLINDER	1
●	10	SN-2128T10	*O* RING (d50.39×W3.53)-2pcs	1 SET
★	11	SN-2128P11	FRONT PU WASHER	1
★	12	SN-2128P12	REAR BOLT ASS'Y	1
★	13	SN-2128P13	REAR PU WASHER	1
▲	14	SN-2128P14	CYLINDER LOCK PIN	1
★	15	SN-2128P15	VALVE CAP	1
●	16	SN-2128P16	*O* RING (d7.6×W2.62)	1
▲	17	SN-2128T17	THROTTLE VALVE ASS'Y	1 SET
★	18	SN-2128P18	HOUSING	1
★	19	SN-2128P19	THROTTLE LEVER	1
●	20	SN-2128P20	SPRING PIN (Ø3x28L)	1
★	21	SN-2128P21	REDUCER (3/8xNPT3/8)	1
★	22	SN-2128P22	HEX. WRENCH (6 MM)	1

Discover other air cutting tools on our website.