



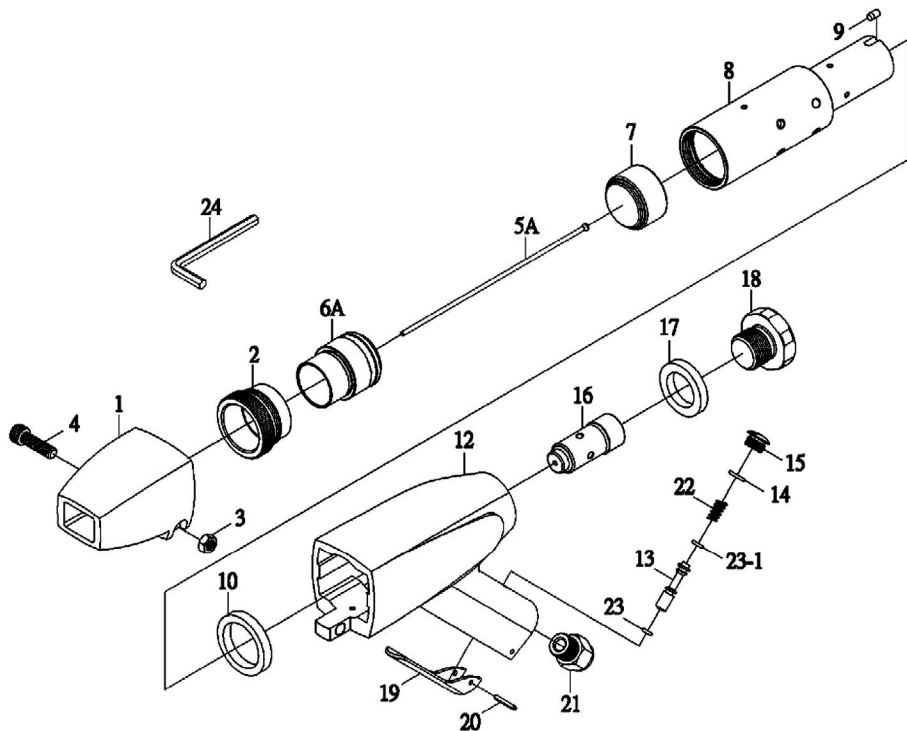
Air Pistol Needle Scaler

Item No : SN-2124

● The consumable parts ▲ The replacement parts ★ The non-replacement parts



Part List SN-2124



	NO.	INDEX NO.	DESCRIPTION	Q'TY
★	1	SN-2124P01	NEEDLE GUIDE ASS'Y	1
★	2	SN-2124P02	LOCK RING	1
★	3	SN-2124P03	NUT(5/16")	1
★	4	SN-2124P04	CAP HEAD SCREW(5/16"×1-3/4")	1
●	5	SN-2124T05A	3MM NEEDLE SET(Ø3x180L)-23pcs	1 SET
●	6	SN-2124P06A	NEEDLE SUPPORTER (3 MM)	1
★	7	SN-2124P07	THROTTLE ANVIL	1
★	8	SN-2124P08	CYLINDER	1
▲	9	SN-2124P09	CYLINDER LOCK PIN	1
▲	10	SN-2124P10	FRONT WASHER	1
★	12	SN-2124P12	HOUSING SUB ASSY	1
▲	13	SN-2124P13	THROTTLE VALVE	1
●	14	SN-2124P14	O-RING (d8.8xw1.9)	1
★	15	SN-2124P15	VALVE CAP	1
★	16	SN-2124P16	PISTON	1
★	17	SN-2124P17	REAR WASHER	1
★	18	SN-2124P18	REAR PLUG	1
★	19	SN-2124P19	THROTTLE LEVER	1
▲	20	SN-2124P20	SPRING PIN (Ø3x20L)	1
▲	21	SN-2124P21	AIR INLET (3/8")	1
★	22	SN-2124P22	THROTTLE SPRING	1
●	23	SN-2124P23	O-RING (d3.8xw1.9)	1
●	23-1	SN-2124P23-1	O-RING (d4.8xw1.9)	1
★	24	SN-2124P24	HEX.WRENCH (6mm)	1

Shop for quality M7 products on our website.

Learn more about air cutting tools we have.