

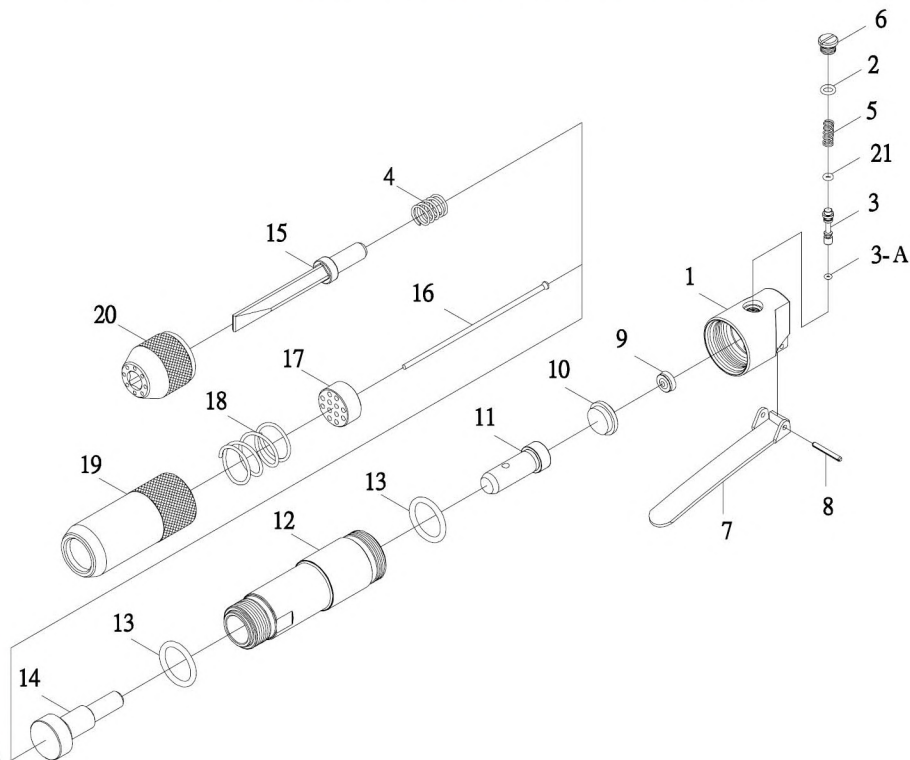


# Needle Scaler

Item No : SN-1288



● The consumable parts ▲ The replacement parts ★ The non-replacement parts



## Part List SN-1288

| NO.  | PART NO.    | DESCRIPTION                  | Q'TY  |
|------|-------------|------------------------------|-------|
| ★ 1  | SN-1288P01  | BACKHEAD                     | 1     |
| ▲ 2  | SN-1288P02  | "O" RING (d5.8xW1.9)         | 1     |
| ★ 3  | SN-1288P03  | THROTTLE VALVE               | 1     |
| ▲ 3A | SN-1288P03A | "O" RING (d2.5xW1.5)         | 1     |
| ● 4  | SN-1288P04  | SPRING                       | 1     |
| ★ 5  | SN-1288P05  | SPRING                       | 1     |
| ★ 6  | SN-1288P06  | VALVE CAP                    | 1     |
| ★ 7  | SN-1288P07  | LEVER                        | 1     |
| ★ 8  | SN-1288P08  | SPRING PIN (D3x24L)          | 1     |
| ● 9  | SN-1288P09  | RUBBER CUSHION               | 1     |
| ● 10 | SN-1288P10  | REAR VALVE BLOCK             | 1     |
| ● 11 | SN-1288P11  | PISTON                       | 1     |
| ★ 12 | SN-1288P12  | BARREL SLEEVE                | 1     |
| ▲ 13 | SN-1288T13  | "O" RING (d23.7xW3.5) (2PCS) | 1 set |
| ● 14 | SN-1288P14  | NEEDLE DRIVER                | 1     |
| ● 15 | SN-1288P15  | CHISEL                       | 1     |
| ● 16 | SN-1288T16  | 3mmx125L NEEDLE SET (12PCS)  | 1 set |
| ● 17 | SN-1288P17  | NEEDLE HOLDER (3mm)          | 1     |
| ● 18 | SN-1288P18  | SPRING                       | 1     |
| ★ 19 | SN-1288P19  | NEEDLE TUBE                  | 1     |
| ▲ 20 | SN-1288P20  | NUT                          | 1     |
| ▲ 21 | SN-1288P21  | "O" RING (d2.8xW1.9)         | 1     |