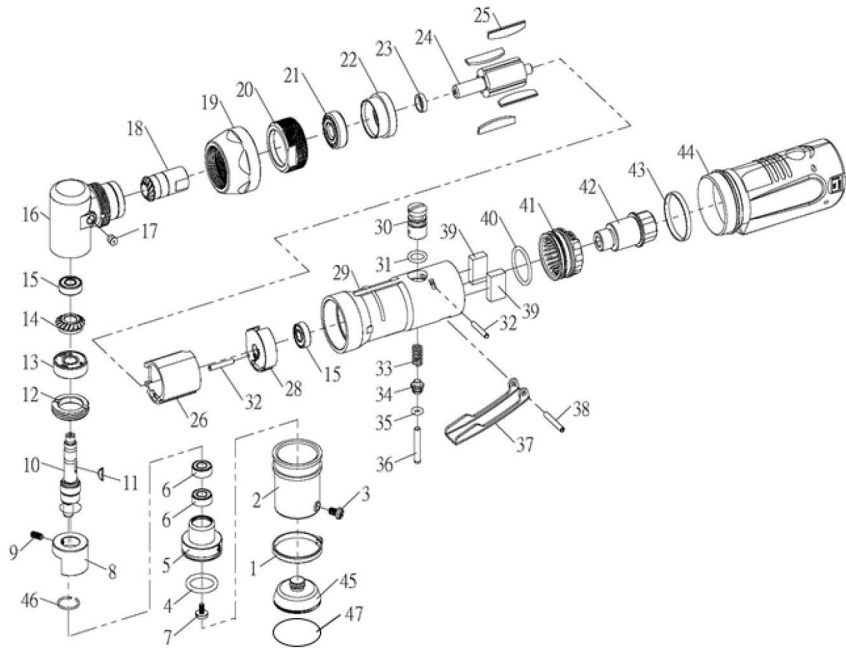




Air Sander

Item No : QP-111 / QP-111S

● The consumable parts ▲ The replacement parts ★ The non-replacement parts



Part List

Item No : QP-111 QP-111S



NO.	Index No.	Description	Q'ty	NO.	Index No.	Description	Q'ty		
▲	1	QP-111P01	Girdle	1	★	24	QP-111P24	Rotor	1
★	2	QP-111P02	Rubber Cover	1	●	25	QP-111T25	Rotor Blade (4 pcs)	1 SET
★	3	QP-111P03	Screw	1	★	26	QP-111P26	Cylinder	1
▲	4	QP-111P04	O-Ring	1	★	28	QP-111P28	Rear End Plate	1
★	5	QP-111P05	Dual Lock	1	★	29	QP-111P29	Housing	1
●	6	QP-111T06	Bearing (2 pcs)	1 SET	★	30	QP-111P30	Air Regulator	1
★	7	QP-111P07	Screw	1	★	31	QP-111P31	O-Ring	1
★	8	QP-111P08	Balance Weight	1	★	32	QP-111T32	Spring Pin (2 pcs)	1 SET
★	9	QP-111P09	Set Screw	1	★	33	QP-111P33	Valve Spring	1
★	10	QP-111P10	Spindle	1	★	34	QP-111P34	Throttle Valve	1
▲	11	QP-111P11	Woodruff Key	1	★	35	QP-111P35	O-Ring	1
★	12	QP-111P12	Clamp Nut	1	★	36	QP-111P36	Valve Shaft	1
▲	13	QP-111P13	Ball Bearing	1	★	37	QP-111P37	Throttle Lever	1
●	14	QP-111P14	Spindle Gear	1	★	38	QP-111P38	Spring Pin	1
●	15	QP-111T15	Ball Bearing (2 pcs)	1 SET	●	39	QP-111T39	Muffler (2 pcs)	1 SET
★	16	QP-111P16	Angle Head Housing	1	▲	40	QP-111P40	O-Ring	1
★	17	QP-111P17	Grease Fitting	1	★	41	QP-111P41	Exhaust Sleeve	1
●	18	QP-111P18	Pinion	1	★	42	QP-111P42	Inter Bushing	1
★	19	QP-111P19	Coupling Nut	1	★	43	QP-111P43	Ring	1
★	20	QP-111P20	Lock Ring	1	★	44	QP-111P44	Housing Cover	1
●	21	QP-111P21	Bearing	1	●	45	QP-111P45	1" Velcro Pad	1
★	22	QP-111P22	Front End Plate	1	▲	46	QP-111P46	Retainer Ring	1
★	23	QP-111P23	Bearing Spacer	1	●	47	QP-111P47	1" Vinyl Flat Pad	1

Learn more about power tools we have.