



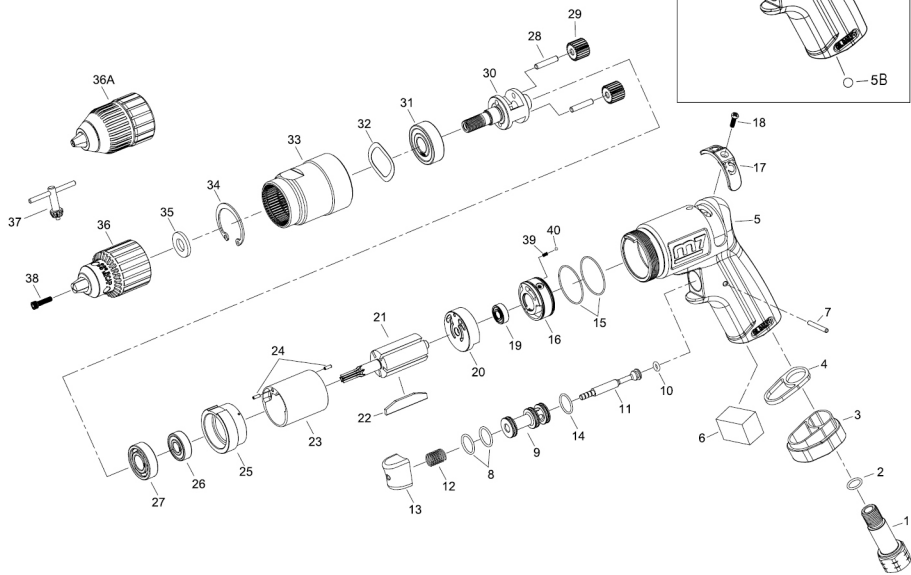
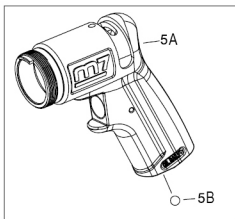
Air Reversible Drill

Item No : QE-431 QE-433



● The consumable parts ▲ The replacement parts ★ The non-replacement parts

Housing Assembly NO. 5



Part List QE-431 QE-433

	NO.	INDEX NO.	DESCRIPTION	Q'TY
★	01	QE-431P01	Air Inlet	1
★	02	QE-431P02	O-Ring	1
★	03	QE-431P03	Exhaust Deflector	1
★	04	QE-431P04	Washer	1
★	05	QE-431T05	Housing Assembly (05A.05B)	1SET
★	05A	-	Motor Housing	1
★	05B	-	Steel Ball	1
●	06	QE-431P06	Muffler Element	1
★	07	QE-431P07	Pin	1
●	08	QE-431T08	O-Ring (2PCS)	1SET
★	09	QE-431P09	Throttle Valve Seat	1
★	10	QE-431P10	O-Ring	1
★	11	QE-431P11	Throttle Valve Plunger	1
★	12	QE-431P12	Spring	1
★	13	QE-431P13	Trigger	1
★	14	QE-431P14	O-Ring	1
★	15	QE-431T15	O-Ring (2PCS)	1SET
★	16	QE-431P16	Reverse Valve	1
★	17	QE-431P17	Reverse Valve Knob	1
★	18	QE-431P18	Screw	1
★	19	QE-431P19	Ball Bearing	1
▲	20	QE-431P20	Rear End Plate	1

	NO.	INDEX NO.	DESCRIPTION	Q'TY
▲	21	QE-431P21	Rotor	1
●	22	QE-431T22	Rotor Blade (5PCS)	1SET
★	23	QE-431P23	Cylinder	1
★	24	QE-431T24	Spring Pin (2PCS)	1SET
▲	25	QE-431P25	Front End Plate	1
▲	26	QE-431P26	Ball Bearing	1
★	27	QE-431P27	Ball Bearing	1
●	28	QE-431T28	Pin (2PCS)	1SET
●	29	QE-431T29	Planet Gear (2PCS)	1SET
▲	30	QE-431P30	Work Spinder	1
★	31	QE-431P31	Ball Bearing	1
★	32	QE-431P32	Washer	1
★	33	QE-431P33	Gear Housing	1
★	34	QE-431P34	Retainer	1
★	35	QE-431P35	washer	1
▲	36	QE-433P36	Key Chuck (for QE433)	1
●	36A	QE-431P36A	Keyless Chuck (for QE431)	1
★	37	QE-433P37	Chuck Key	1
★	38	QE-431P38	Screw	1
★	39	QE-431P39	Spring	1
★	40	QE-431P40	Steel Ball	1