

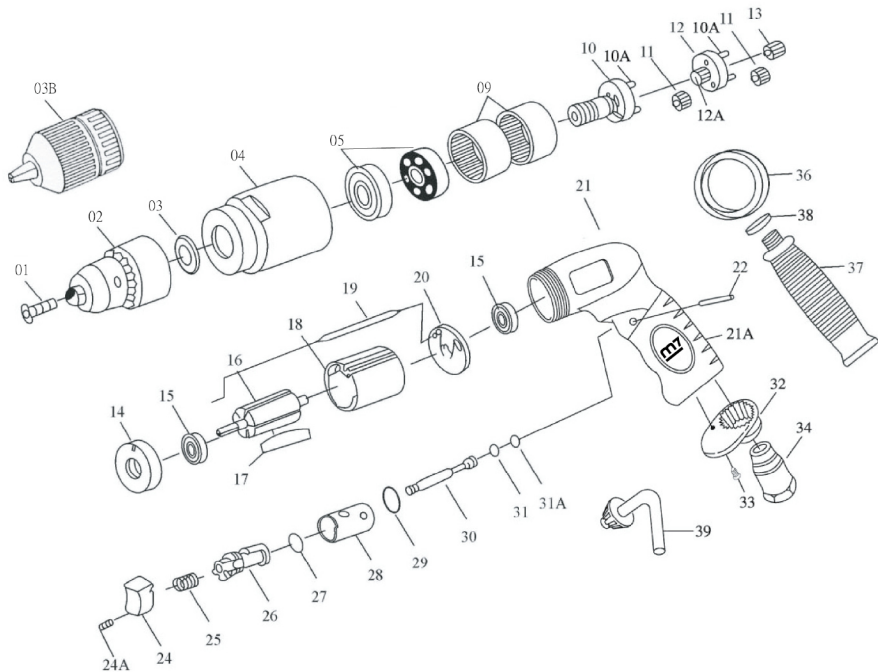


Air Reversible Drill

Item No : QE-341 QE-343



● The consumable parts ▲ The replacement parts ★ The non-replacement parts



Part List QE-341 QE-343

	NO.	INDEX NO.	DESCRIPTION	QTY
★	01	QE-343P01	Flat Head Screw (5x25)	1
●	02	QE-343P02	Drill Chuck (1/2") For QE-343	1
★	03	QE-343P03	Chuck Spacer	1
●	03B	QE-3B	Keyless Chuck (1/2") For QE-341	1
★	04	QE-343P04	Gear Housing	1
▲	05	QE-343T05	Ball Bearing (6201zz) (2 pcs)	1 set
★	09	QE-343T09	Internal Gear (2 pcs)	1 set
●	10	QE-343P10	Working Spindle	1
●	10A	QE-343T10A	Planet Pin (∅ 4x13.8) (6 pcs)	1 set
●	11	QE-343T11	Planet Gear (15T) (6 pcs)	1 set
●	12	QE-343P12	Reduction Spindle	1
●	12A	QE-343P12A	Pinion Gear	1
●	13	QE-343P13	Pinion Gear	1
▲	14	QE-343P14	Front End Plate	1
▲	15	QE-343T15	Ball Bearing (626zz) (2 pcs)	1 set
★	16	QE-343P16	Rotor	1
●	17	QE-343T17	Rotor Blade (5 pcs)	1 set
★	18	QE-343P18	Cylinder	1
★	19	QE-343P19	Cylinder Dowel (∅ 2x55)	1
▲	20	QE-343P20	Rear End Plate	1
★	21	QE-343P21	Motor Housing	1
★	21A	QE-343P21A	Grip	1
★	22	QE-343P22	Trigger Pin (∅ 3x27.8)	1
★	24	QE-343P24	Trigger	1
★	24A	QE-343P24A	Set Screw (M4x4)	1
★	25	QE-343P25	Spring	1
★	26	QE-343P26	Reverse Knob	1
▲	27	QE-343P27	O-Ring (P14)	1
★	28	QE-343P28	Trottle Bushing	1
▲	29	QE-343P29	O-Ring (P14)	1
★	30	QE-343P30	Valve Stem	1
▲	31	QE-343P31	O-Ring (3.5x1.5)	1
▲	31A	QE-343P31A	O-Ring (3.9x2.25x2)	1
★	32	QE-343P32	Exhaust Muffler	1
★	33	QE-343T33	Screw (M3x8) (2 pcs)	1 set
★	34	QE-343P34	Air Inlet Bushing	1
★	36	QE-343P36	Clamp Ring	1
★	37	QE-343P37	Flexible Handle	1
★	38	QE-343P38	Washer	1
★	39	QE-343P39	Chuck Key (1/2")	1