

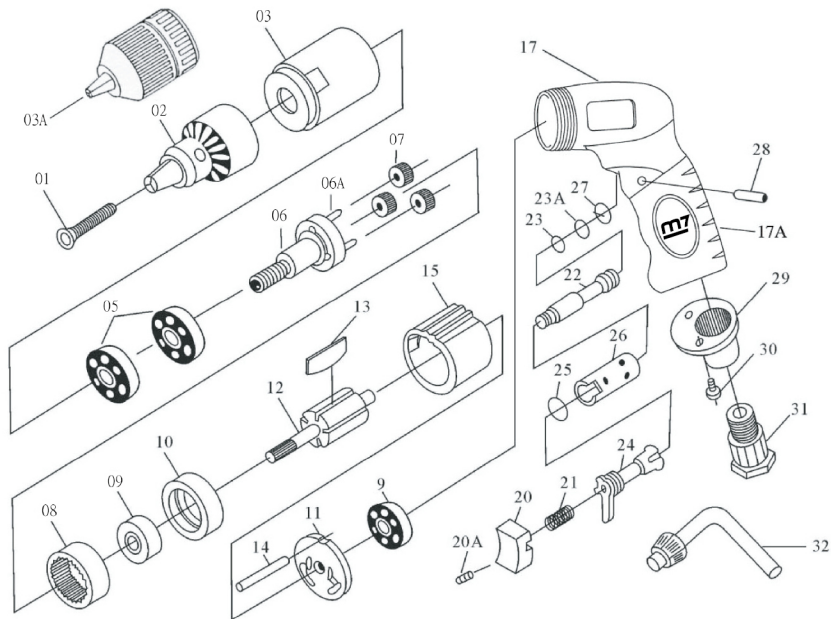


Air Reversible Drill

Item No : QE-331 QE-333



● The consumable parts ▲ The replacement parts ★ The non-replacement parts



Part List QE-331 QE-333

	NO.	INDEX NO.	DESCRIPTION	Q'TY
★	01	QE-333P01	Flat Head Screw (M5x20)	1
●	02	QE-333P02	Drill Chuck (3/8") For QE-333	1
★	03	QE-333P03	Gear Housing	1
●	03A	QE-3A	Keyless Chuck (3/8") For QE-331	1
▲	05	QE-333T05	Ball Bearing (6201zz) (2 pcs)	1 set
●	06	QE-333P06	Working Spindle	1
●	06A	QE-333T06A	Planet Pin (∅4x13.8) (3 pcs)	1 set
●	07	QE-333T07	Planet Gear (3 pcs)	1 set
★	08	QE-333P08	Internal Gear	1
▲	09	QE-333T09	Ball Bearing (626zz) (2 pcs)	1 set
▲	10	QE-333P10	Front End Plate	1
▲	11	QE-333P11	Rear End Plate	1
★	12	QE-333P12	Rotor	1
●	13	QE-333T13	Rotor Blade (5 pcs)	1 set
★	14	QE-333P14	Cylinder Dowel (∅2x55)	1
★	15	QE-333P15	Cylinder	1
★	17	QE-333P17	Motor Housing	1
★	17A	QE-333P17A	Grip	1
★	20	QE-333P20	Trigger	1
★	20A	QE-333P20A	Set Screw (M4x4)	1
★	21	QE-333P21	Spring	1
★	22	QE-333P22	Valve Stem	1
▲	23	QE-333P23	O-Ring (3.5x1.5)	1
▲	23A	QE-333P23A	O-Ring (3.9x2.25x2)	1
★	24	QE-333P24	Reverse Knob	1
▲	25	QE-333P25	O-Ring (P14)	1
★	26	QE-333P26	Throttle Bushing	1
▲	27	QE-333P27	O-Ring (P14)	1
★	28	QE-333P28	Trigger Pin (∅3x27.8)	1
★	29	QE-333P29	Exhaust Muffler	1
★	30	QE-333T30	Screw (M3x8) (2 pcs)	1 set
★	31	QE-333P31	Air Inlet Bushing	1
★	32	QE-333P32	Chuck Key	1