

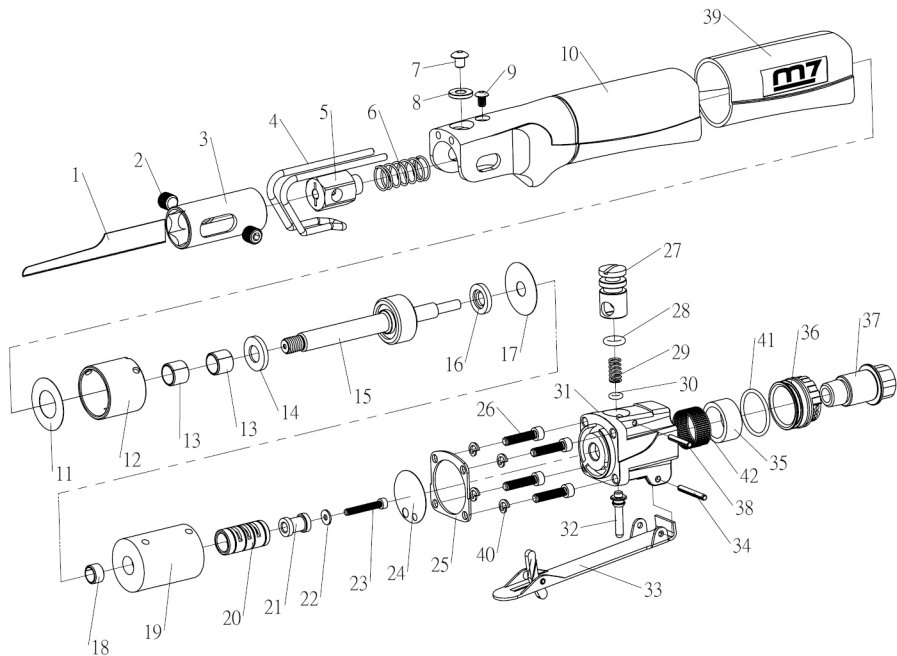


Air Saw

Item No : QD-291



● The consumable parts ▲ The replacement parts ★ The non-replacement parts



Part List

Item No : QD-291



	NO.	Index No.	Description	Q'ty
●	01	QD-291P01	Blade32T	1
★	02	QD-291T02	Screw (2PCS)	1SET
★	03	QD-291P03	Chuck Guide	1
★	04	QD-291P04	Work Guide	1
▲	05	QD-291P05	Blade Chuck	1
▲	06	QD-291P06	Spring	1
★	07	QD-291P07	Screw	1
★	08	QD-291P08	Washer	1
★	09	QD-291P09	Screw	1
★	10	QD-291P10	Housing	1
●	11	QD-291P11	Packing	1
▲	12	QD-291P12	Cylinder	1
▲	13	QD-291T13	Bush(10x10) (2PCS)	1SET
▲	14	QD-291P14	Front Bumper	1
▲	15	QD-291P15	Piston Assy	1
▲	16	QD-291P16	Rear End Bumper	1
●	17	QD-291P17	Packing	1
▲	18	QD-291P18	Bush(Ø806)	1
▲	19	QD-291P19	Valve Case	1
▲	20	QD-291P20	Valve Steeve	1
★	21	QD-291P21	Actuate Valve	1
★	22	QD-291P22	Washer	1
★	23	QD-291P23	Screw	1
●	24	QD-291P24	Packing	1

	NO.	Index No.	Description	Q'ty
▲	25	QD-291P25	Washer	1
★	26	---	Screw (4PCS)	1SET
★	27	QD-291P27	Air Regulator	1
★	28	QD-291P28	O-Ring	1
★	29	QD-291P29	Valve Spring	1
★	30	QD-291P30	O-Ring	1
★	31	QD-291P31	Valve Housing	1
★	32	QD-291P32	Throttle Valve	1
★	33	QD-291P33	Throttle Lever Ass'y	1
★	34	QD-291P34	Spring Pin (ø3x23)	1
★	35	QD-291P35	Silencer	1
★	36	QD-291P36	Exhaust Sleeve	1
★	37	QD-291P37	Inlet Bushing	1
★	38	QD-291P38	Spring Pin (ø2.5x18)	1
●	39	QD-291P39	Cover	1
★	40	---	Spring Washer	1
★	41	QD-291P41	O-Ring	1
★	42	QD-291P42	Screen	1
★		QD-291T26	Screw Assembly (26-40)(4pcs)	1SET

[View other air cutting tools made by M7 on our website.](#)