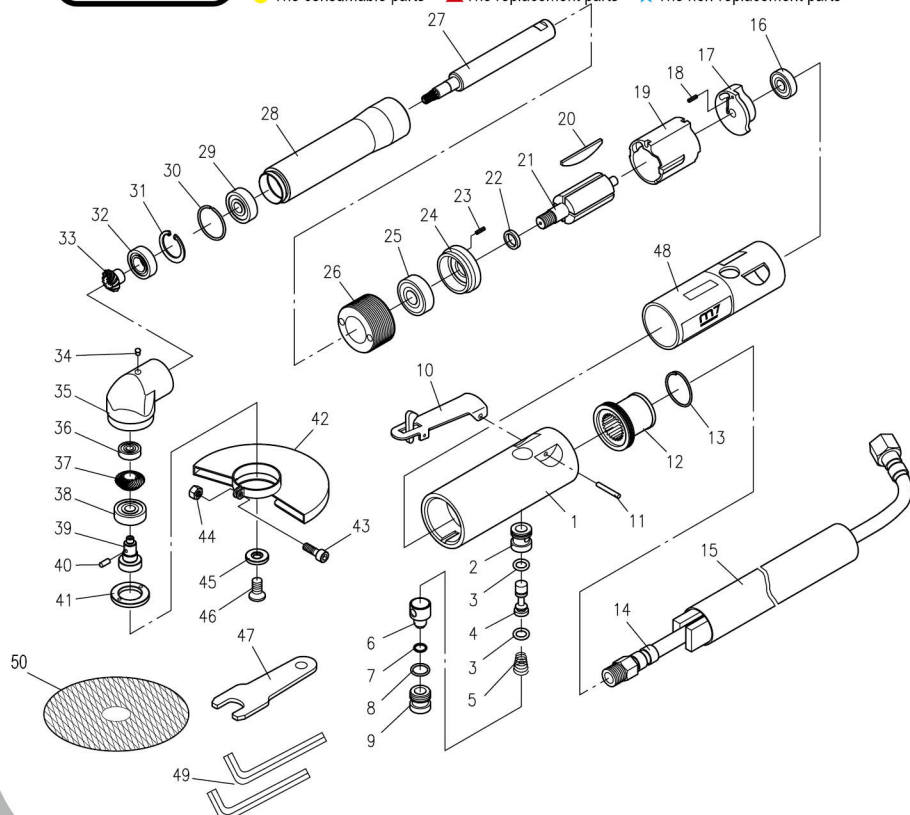




4" Air Corner Cut-off tool Item No : QC-234



● The consumable parts ▲ The replacement parts ★ The non-replacement parts



Shop for quality M7 products on our website.

Part List QC-234

NO.	INDEX NO.	DESCRIPTION	Q'TY	NO.	INDEX NO.	DESCRIPTION	Q'TY		
★	1	QC-234P01	Housing	1	★	26	QC-234P26	Retainer	1
●	2	QC-234T02	Throttle Valve Bushing (2.3)	1 set	★	27	QC-234P27	Extend Shaft	1
★	3	----	O-Ring (2PCS)	1 set	★	28	QC-234P28	Extend Bushing	1
★	4	QC-234P04	Valve Stem	1	▲	29	QC-234P29	Ball Bearing	1
★	5	QC-234P05	Spring	1	★	30	QC-234P30	Ring	1
★	6	QC-234T06	Air Regulator (6.7)	1 set	★	31	QC-234P31	Retaining Ring	1
●	7	----	O-Ring	1	▲	32	QC-234P32	Ball Bearing	1
●	8	----	O-Ring	1	●	33	QC-234P33	Pinion	1
★	9	QC-234T09	Throttle valve Plug (8.9)	1 set	★	34	QC-234P34	Grease Cup	1
★	10	QC-234P10	Throttle Lever	1	★	35	QC-234P35	Angle Housing	1
★	11	QC-234P11	Throttle Lever Pin	1	▲	36	QC-234P36	Ball Bearing	1
★	12	QC-234P12	Exhaust Deflector	1	●	37	QC-234P37	Gear	1
★	13	QC-234P13	Ring	1	▲	38	QC-234P38	Ball Bearing	1
★	14	QC-234T14	Air Inlet Hose (14.15)	1 set	★	39	QC-234P39	Spindle	1
★	15	----	Exhaust Hose	1	★	40	QC-234P40	Pin	1
▲	16	QC-234P16	Ball Bearing	1	★	41	QC-234P41	Clamp Nut	1
▲	17	QC-234T17	End Plate (17.18)	1 set	★	42	QC-234T42	Protector (42.43.44)	1 set
★	18	----	Roll Pin	1	★	43	----	Screw	1
★	19	QC-234P19	Cylinder	1	★	44	----	Nut	1
●	20	QC-234T20	Rotor Blade (4PCS)	1 set	★	45	QC-234P45	Washer	1
★	21	QC-234P21	Rotor	1	★	46	QC-234P46	Screw	1
★	22	QC-234P22	Bearing Space	1	★	47	QC-234P47	Spanner	1
★	23	----	Roll Pin	1	★	48	QC-234P48	Cover	1
▲	24	QC-234T24	Front Plate (23.24)	1 set	★	49	QC-234T49	3mm/4mm Alan Key	1 set
▲	25	QC-234P25	Ball Bearing	1	●	50	QC-234P50	cutting wheel 4" x Ø10	1

Learn more about air cutting tools we have.