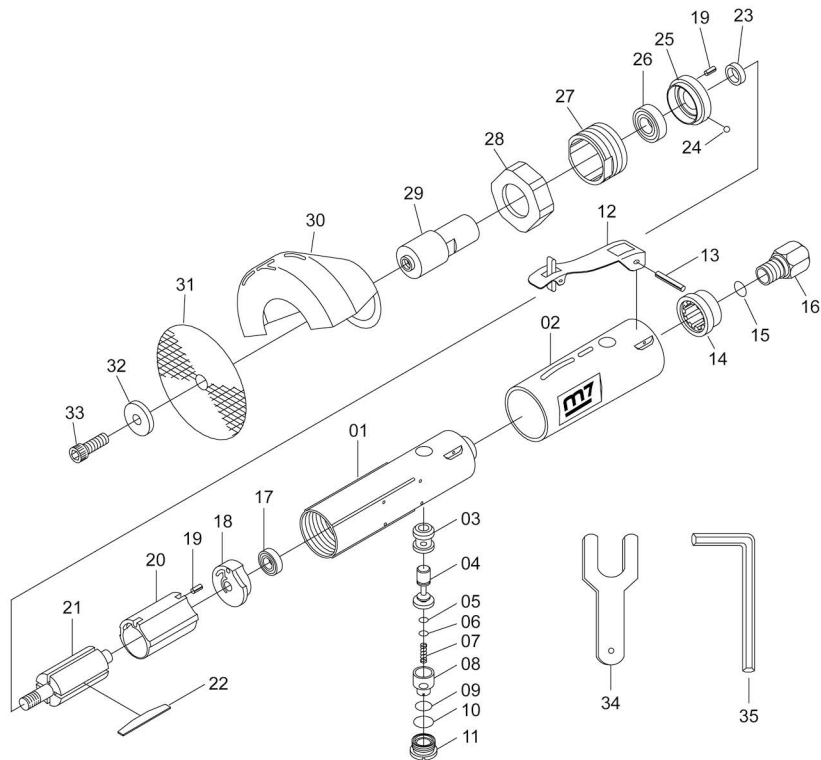




Cut-off tool Item No : QC-213



● The consumable parts ▲ The replacement parts ★ The non-replacement parts



Part List QC-213

	NO.	INDEX NO.	DESCRIPTION	Q'TY
★	1	QC-213P01	Motor Housing	1
★	2	QC-213P02	Grip	1
★	3	QC-213P03	Throttle Valve Bushing	1
★	4	QC-213P04	Valve Stem	1
▲	5	QC-213P05	O-Ring	1
▲	6	QC-213P06	O-Ring	1
★	7	QC-213P07	Spring	1
★	8	QC-213P08	Regulator	1
▲	9	QC-213P09	O-Ring	1
▲	10	QC-213P10	O-Ring	1
★	11	QC-213P11	Throttle Valve Plug	1
★	12	QC-213P12	Throttle Lever	1
★	13	QC-213P13	Lever Pin	1
★	14	QC-213P14	Exhaust Plate	1
▲	15	QC-213P15	O-Ring	1
★	16	QC-213P16	Air Inlet Bushing	1
▲	17	QC-213P17	Bearing	1
×	18	---	Rear End Plate	1
×	19	---	Positioning Pin	1
★	20	QC-213P20	Cylinder	1
★	21	QC-213P21	Rotor	1
●	22	QC-213T22	Rotor Blade (4 pcs)	1 set
★	23	QC-213P23	Rotor Collar	1
×	24	---	Steel Ball	1
×	25	---	Front End Plate	1
▲	26	QC-213P26	Ball Bearing	1
★	27	QC-213P27	Motor Clamp	1
★	28	QC-213P28	Cap	1
★	29	QC-213P29	Spindle	1
★	30	QC-213P30	Wheel Guard	1
●	31	QC-213P31	Cutting Wheel	1
★	32	QC-213P32	Wheel Flange	1
★	33	QC-213P33	Wheel Flange Screw	1
★	34	QC-213P34	17 mm Spanner Wrench	1
★	35	QC-213P35	6 mm Hex Key	1
▲		QC-213T01	Rear End Plate Ass'y (18,19)	1 set
▲		QC-213T02	Front End Plate Ass'y (19,24,25)	1 set

Shop for quality M7 products on our website.

Learn more about air cutting tools we have.