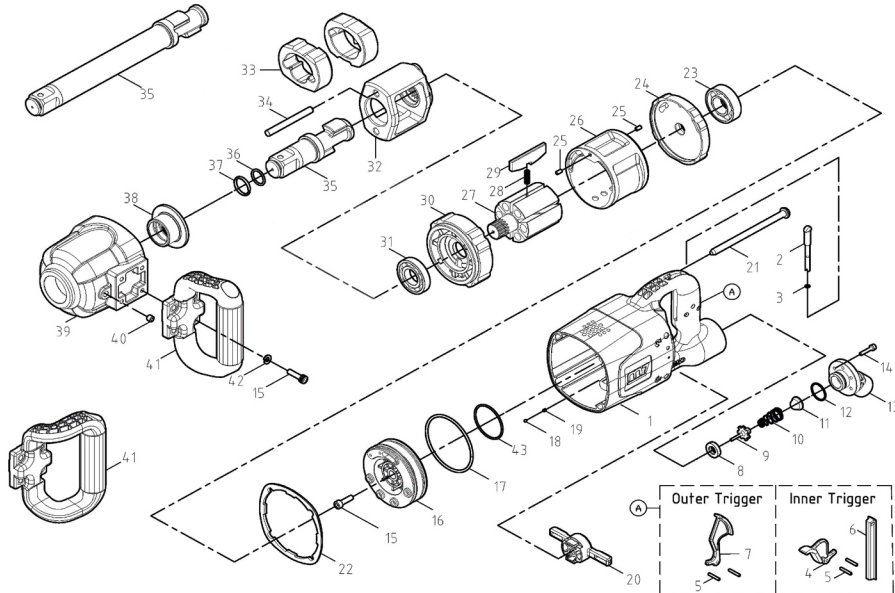




1" Air Impact Wrench

Item No : NC-8266S/NC-8266S-6

● The consumable parts ▲ The replacement parts ★ The non-replacement parts



Part List

Twin hammer Type



Item No:NC-8266S/NC-8266S-6

NO.	PART NO.	DESCRIPTION	Q'TY	
★	1	NC-8266SP01	Housing	1
★	2	NC-8266SP02	Pin Valve Rod	1
▲	3	NC-8266SP03	O-Ring	1
★	4	NC-8266SP04	Trigger (inner)	1
★	5	NC-8266ST05	Spring Pin (2PCS)	1 SET
▲	6	NC-8266SP06	Rubber Protector	1
★	7	NC-8266SP07	Trigger (outer)	1
★	8	NC-8266PP04	Oil Seal	1
★	9	NC-8266PP05	Pin Valve Rod	1
★	10	NC-8266SP10	Cone Spring	1
★	11	NC-8266SP11	Filter	1
▲	12	NC-8266SP12	O-Ring	1
★	13	NC-8266SP13	Air Inlet	1
★	14	NC-8266ST14	Screw (4PCS)	1 SET
★	15	NC-8266ST15	Screw (5PCS)	1 SET
★	16	NC-8266SP16	Throttle Valve	1
▲	17	NC-8266ST17	O-Ring (2PCS)	1 SET
★	18	NC-8266PP13	Steel Ball	1
★	19	NC-8266PP12	Spring	1
★	20	NC-8266SP20	Reverse Lever	1
★	21	NC-8266PT17	Screw (4PCS)	1 SET
★	22	NC-8266PP18	Packing	1

NO.	PART NO.	DESCRIPTION	Q'TY	
▲	23	NC-8266PP19	Ball Bearing	1
★	24	NC-8266PP20	Rear Plate	1
★	25	NC-8266PT21	Spring Pin (2PCS)	1 SET
★	26	NC-8266PP22	Cylinder	1
★	27	NC-8266PP23	Rotor	1
●	28	NC-8266PT24	Spring (6PCS)	1 SET
●	29	NC-8266PT25	Blades (6PCS)	1 SET
★	30	NC-8266PP26	Front Plate	1
▲	31	NC-8266PP27	Ball Bearing	1
●	32	NC-8266PP28	Hammer Cage	1
●	33	NC-8266PT29	Hammer (2PCS)	1 SET
●	34	NC-8266PT30	Hammer Pin (2PCS)	1 SET
●		NC-8266PT31A	Anvil (35A.36.37)	1 SET
●	35	NC-8266PT31B	6" Anvil (35B.36.37)	1 SET
●		NC-8266PT31C	8" Anvil (35C.36.37)	1 SET
●	36	NC-8266PP32	O-Ring	1
●	37	NC-8266PP33	Anvil Collar	1
★	38	NC-8266PP34	Bushing	1
★	39	NC-8266PP35	Front Casing	1
★	40	NC-8266PP36	Pipe Plug	1
★	41	NC-8266SP41	Handle	1
★	42	NC-8266PT38	Washer (4PCS)	1 SET

Learn more about power tools we have.