

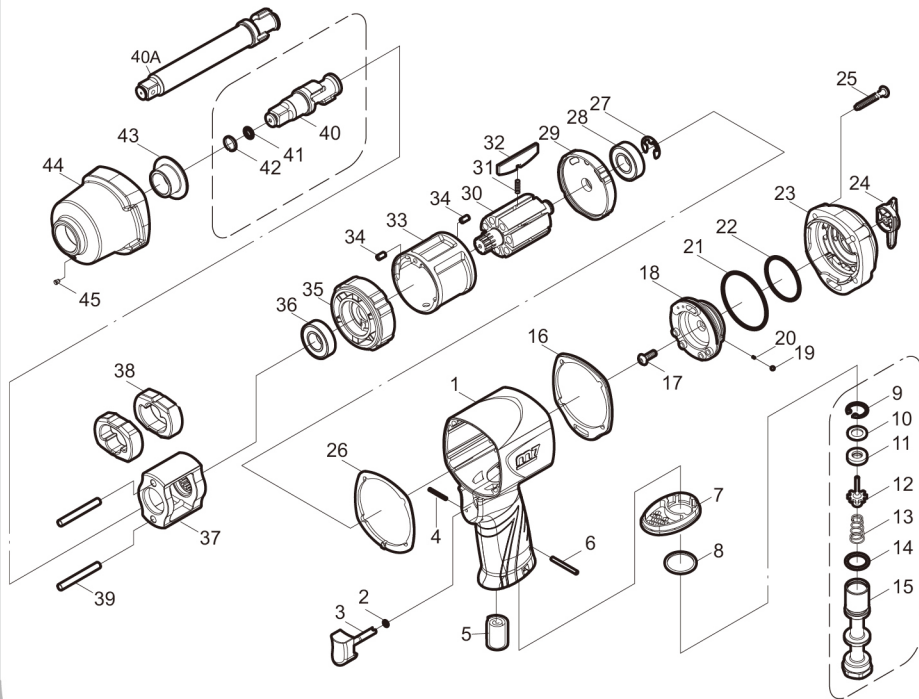


1/2" Composite Air Impact Wrench

Item No : NC-4255Q / NC-4265Q



● The consumable parts ▲ The replacement parts ★ The non-replacement parts



Part List Twin Hammer Type NC-4255Q NC-4265Q

	NO.	CODE NO.	PARTS NAME (ENG)	Q'TY
★	1	NC-4255P01	Motor Housing	1
▲	2	NC-4255P02	O-Ring	1
★	3	NC-4255P03	Trigger	1
★	4	NC-4255P04	Spring Pin	1
●	5	NC-4255T05	Muffler Element (2 pcs)	1 SET
★	6	NC-4255P06	Spring Pin	1
★	7	NC-4255P07	Exhaust Deflector	1
★	8	NC-4255P08	Washer	1
★	9	NC-4255P09	C-Ring	1
★	10	NC-4255P10	Washer	1
▲	11	NC-4255P11	Oil Seal	1
★	12	NC-4255P12	Pin Valve Rod	1
★	13	NC-4255P13	Cone Spring	1
▲	14	NC-4255P14	O-Ring	1
★	15	NC-4255P15	Air Inlet	1
▲	16	NC-4255P16	Gasket	1
★	17	NC-4255P17	Screw	1
★	18	NC-4255P18	Reverse Lever	1
★	19	NC-4255P19	Spring	1
★	20	NC-4255P20	Steel Ball	1
▲	21	NC-4255P21	O-Ring	1
▲	22	NC-4255P22	O-Ring	1
★	23	NC-4255P23	Backhead Cover	1
★	24	NC-4255P24	Regulator	1
★	25	NC-4255T25	Screw (4 pcs)	1 SET
▲	26	NC-4255P26	Gasket	1

	NO.	CODE NO.	PARTS NAME (ENG)	Q'TY
▲	27	NC-4255P27	E-Ring	1
▲	28	NC-4255P28	Ball Bearing (NBK)	1
▲	29	NC-4255P29	Rear End Plate	1
▲	30	NC-4255P30	Rotor	1
▲	31	NC-4255T31	Spring (7 pcs)	1 SET
●	32	NC-4255T32	Rotor Blade (7 pcs)	1 SET
★	33	NC-4255P33	Cylinder (FCD)	1
★	34	NC-4255T34	Spring Pin (2 pcs)	1 SET
▲	35	NC-4255P35	Front End Plate	1
▲	36	NC-4255P36	Ball Bearing (NBK)	1
▲	37	NC-4255P37	Hammer Cage	1
●	38	NC-4255T38	Hammer (2 pcs)	1 SET
▲	39	NC-4255T39	Hammer Pin (2 pcs)	1 SET
●	40	NC-4255P40	Anvil	1
●	40A	NC-4255P40A	2" Ext. Anvil	1
●	41	NC-4255P41	O-Ring	1
●	42	NC-4255P42	Socket Retainer	1
★	43	NC-4255P43	Bushing	1
★	44	NC-4255P44	Front Housing	1
★	45	NC-4255P45	Oil Drop	1
▲		NC-4255T01	Throttle Valve Ass'y (09~15)	1 SET
●		NC-4255T02	Anvil Ass'y (40,41,42)	1 SET
●		NC-4265T02A	2" Ext. Anvil Ass'y (40A,41,42)	1 SET

Learn more about air impact wrenches we have.