



# LABOR SAVING DEVICES INC.



**SUPERIOR TOOLS** | Designed by Professionals for Professionals

# About Us

Labor Saving Devices Inc. ("LSDI") designs and manufactures advanced specialty tools and related products for the professional wire and cable installer. We are widely recognized as the leader and innovator in the wire and cable installation market, as we have been since 1982. We understand the challenges of professional wire installers. Please take a few minutes to acquaint yourself with these labor saving and professional grade tools.

## About LSDI

Many of the tools available today that address the special needs of wire installation were initially developed by LSDI. Over the years, several companies have tried to follow our leadership by offering "me too" products, but our continued success is based upon offering superior design and quality that can only be created by truly understanding the needs of professional installers in the audio/visual, electrical, communications and security-alarm markets. Much of our R&D staff is comprised of experienced installers. We understand the demands of professional installation and we will continue to bring innovative solutions that save installation time and produce better results. Installation is an Art. LSDI is Advancing the Art of Installation™.

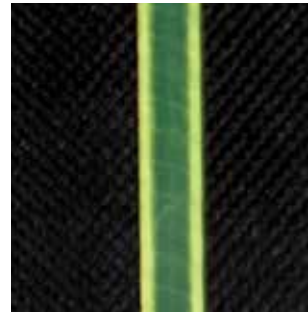
## Our Founder

Roy Bowling, founder of Labor Saving Devices, Inc., initially decided to share his wealth of experience in the alarm and security industry with other dealer/installers, holding "installation techniques" seminars throughout the country. Pretty soon he found himself "pushed" to manufacture the tools he had developed for himself and was referring to during his seminars. In 1982, Roy and his late wife, Kathy started Labor Saving Devices, Inc. Today, Roy has "retired" from the daily management of the company, he spends most of his time developing new products.

# Why Us

## The FIBERFUSE™ Difference

### Not All Fiberglass Rods Are Created Equal



Our FIBERFUSE™ rods are made using a patented process that wraps the molten fiberglass in a cellophane material before it is cured. This wrap forces the dense glass fibers to the center core of the rod, leaving mostly resin at the surface. After curing, the cellophane wrap is removed, and the resulting finished rod has increased density in the center, providing greater memory, durability and flexibility without surface fibers that can splinter and get into your skin.

FIBERFUSE™ Rods have increased center density as shown in this cross-section.

## You Have A Choice w/ LSDI

The Creep-zit™ Wire Running System has been the leading tool for retrofit wire installations for more than 25 years. The unique qualities of flexibility, utility, strength and non-conductivity changed the wire installation industry from the old metal fish tape and coat hangers used for decades.

Some have considered that the end of the story...

Then, one of our mad R&D guys got to thinking, "what would make it even better?" The conclusion was right in front of their tired fingers. As most people realize, repetitive threading on, then off multiple rods, especially in confined spaces could be very difficult and time consuming, not to mention fatiguing to the hands and fingers.

To solve this issue and in effort to be more innovative, the RoyRods™ Quick Connect System was born. The rods are made of the same Fiberfuse™ construction you've come to expect, incorporated into the next generation "Quick Connect" system. Imagine, no threading of rods, on or off. Simply push and twist and the rods are now securely locked into place! No more taping the connectors to keep from loosening. No more hand cramping and finger ache. Just click, twist and go to work with confidence. Then, when the job is done and the wire is run, gently push the release pin down and put your rods away.

You now have a choice to "Thread" with the Creep-Zit or to "Snap" with the Roy-Rods! It's so simple, yet revolutionary!

# Installation

## Creep-Zit™ Threaded Rod Kits

### Creep-Zit Pro 36ft. Kit - Threaded Connector Wire Running Rod Kit

This is our most advanced and best value threaded connector rod kit for running wire and cable.

Kit Includes:

- Five FiberFuse™ 6ft. push/pull rods with male and female threaded connector ends
- One Luminous (glows in the dark) FiberFuse™ 6ft. push/pull rod with male and female threaded connector ends
- One 6ft. Fish Tailz™ 1/8" Mesh Pull Sock
- Luminous Whisk Threaded Connector Tip
- Lighted Bull-Nose Threaded Connector Tip
- Ball Chain Threaded Connector Tip (12" ball chain length)
- Female Bull Nose Threaded Connector Tip
- Kit is packaged in a clear square plastic tube



Description	Model Name	Part Number
Creep-Zit Pro 36ft. Threaded Connector Wire Running Rod Kit	CZP36	81-000

### Creep-Zit 30ft. - Threaded Connector Wire Running Rod Kit

This kit offers the essential components needed for a wide range of installation applications.

Description	Model Name	Part Number
Creep-Zit 30ft. Threaded Connector Wire Running Rod Kit	CZ30	81-130



Kit Includes:

- Four FiberFuse™ 6ft. push/pull rods with male and female threaded connector ends
- One FiberFuse 6ft. push/pull rod with a fixed bull nose end and a female threaded connector end
- Luminous Whisk Threaded Connector Tip
- Lighted Bull-Nose Threaded Connector Tip
- Ball Chain Lanyard (12" length)
- Kit is packaged in a clear square plastic tube

### Creep-Zit 30ft. Luminous Kit - Threaded Connector Wire Running Rod Kit

This kit is the luminous (glow in the dark) version of the standard Creep-Zit 30ft. kit above.

Kit Includes:

- Four Luminous (glows in the dark) FiberFuse™ 6ft. push/pull rods with male and female threaded connector ends
- One Luminous (glows in the dark) FiberFuse 6ft. push/pull rod with a fixed bull nose end and a female threaded connector end
- Luminous Whisk Threaded Connector Tip
- Lighted Bull-Nose Threaded Connector Tip
- Ball Chain Lanyard (12" length)
- Kit is packaged in a clear square plastic tube



Description	Model Name	Part Number
Creep-Zit 30ft. Luminous Threaded Connector Wire Running Rod Kit	CZ30-L	81-230

### Creep-Zit Compact 24ft. Kit - Threaded Connector Wire Running Rod Kit

This rod kit provides shorter 3ft. rods for more versatility and functionality in confined spaces and includes a soft case with handle straps that enable the kit to be carried like a arrow "quiver" case on your shoulder.

Kit Includes:

- Seven FiberFuse™ 3ft. push/pull rods with male and female threaded connector ends
- One Luminous (glows in the dark) FiberFuse™ 3ft. push/pull rod with a fixed bull nose end and a female threaded connector end
- Luminous Whisk Threaded Connector Tip
- Lighted Bull-Nose Threaded Connector Tip
- Ball Chain Lanyard (12" length)
- Premium nylon shoulder "quiver" case with zippered top pocket



Description	Model Name	Part Number
Creep-Zit Compact 24ft. Threaded Connector Wire Running Rod Kit	CZ24	81-600

# Installation Cont.

## Creep-Zit™ Single & Replacement Rods

### 6ft. Fiberglass Threaded Rods

These single rods allow you to replace lost rods or add length to your Creep-Zit Kits. Not compatible with RoyRods Quick Connect.



Description	Model Name	Part Number
6ft. Rod w/ Threaded M/F Connectors	CZX	81-106
6ft. Rod w/ Bull Nose/Threaded F Connectors	CZB	81-116

## Creep-Zit™ Accessory & Replacement Tips

### Luminous Whisk Tip - Male Threaded Connector Tip

This tip is shaped like a whisk to help guide your rods over obstructions, beams, insulation and other structures. The multi-spoked luminous whisk also acts as a "wheel," allowing you to accurately steer the tip across most surfaces.



Description	Model Name	Part Number
Creep-Zit Luminous Whisk Male Threaded Connector Tip	CZLH	81-315

### Z-Tip - Male Threaded Connector Tip

Fish wire way back in a small cavity. The Z-Tip is compatible with both Creep-Zit threaded rods and the Grabbit telescoping pole (with included adapter). The unique inside knife edge securely grabs and holds wire. The outside "V" can be used to push or lay-up wire. If you can touch it, you can retrieve it!



Description	Model Name	Part Number
Creep-Zit Z-Tip Male Threaded Connector Tip	ZTIP	82-350

### J-Tip - Male Threaded Connector Tip



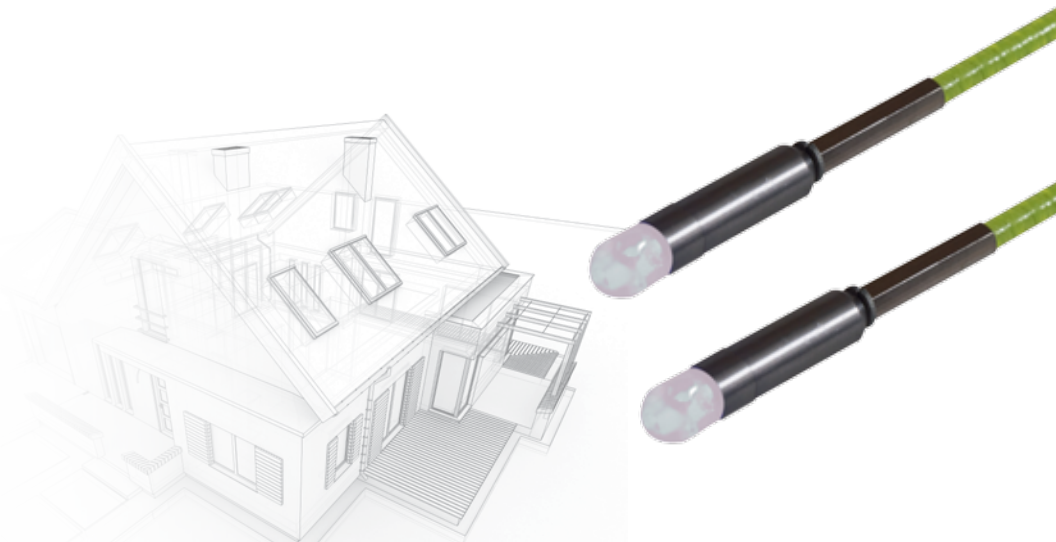
Creep-Zit J-Tip Male Threaded Connector Tip - Uncoil coax or other cable. Use this tip for retrieving wire from a distance or retrieving metal fish tape. The J-Tip is compatible with both the Creep-Zit threaded rods (with included adapter) and the Grabbit telescoping poles (now included with all Grabbit purchases).

Description	Model Name	Part Number
Creep-Zit J-Tip Male Threaded Connector Tip	JTIP	82-370

### Lighted Bull-Nose Tip - Male Threaded Connector Tip

Our Patented Lighted Bull-Nose Tip helps find wire in hot, dirty, dark places, which is tough enough without the hassle of finding the rod ends you're looking for to attach wires. The LBT makes rod location a snap! Now you're in and out quickly and efficiently to move onto the next job. Small enough to fit through a 3/8" hole and 3 wire attachment holes in the lighted tip cap. A must have that LSDI now includes in all wire running rod kits!

Description	Model Name	Part Number
Creep-Zit Female Threaded Lighted Bull Nose Tip	CZLBT	81-316



# Installation Cont.

## Creep-Zit™ Accessory & Replacement Tips

### Connector Pack (5-Male/ 5-Female/2-Bull-Nose) - Replacement Tips - Threaded & Non-Threaded

Includes:

- 5 - Male Threaded Connectors
- 5 - Female Threaded Connectors
- 2 - Bull-Nose / Female / Non-Threaded Connectors (must be glued onto your rods)
- Note: The Non-Threaded Female Bull-Nose Connectors must be glued onto your rods using a 2-part 24hr. epoxy glue (not included).



Description	Model Name	Part Number
Creep-Zit Replacement Threaded Connector Pack (5-female threaded / 2-female bull-nose-non-threaded / 5-male threaded)	CZCONN	81-350

### Premium Accessory Tip Kit - Threaded Connector

#### A Complete Tip Kit and Case for Your Creep-Zit System!

This kit contains a wide range of specialized threaded connector tips for your Creep-Zit™ system. The kit is intended to complement your Creep-Zit Pro 36 ft. Push/Pull Rod Kit (Model CZP36), the Creep-Zit 30ft. Rod Kit (Model CZ30 or CZ30L) or the Creep-Zit 24ft. Compact Rod Kit (Model CZ24) by adding multiple specialty tips to meet a wide range of installation challenges.

The kit includes the following components:

- Creep-Zit Threaded Z-Tip (for secure wire retrieval)
- Creep-Zit Threaded J-Tip (for pushing or lay-up)
- Creep-Zit Threaded Ceramic Magnet Retrieval Tip
- Creep-Zit Threaded Magnetic Locating Tip and Compass
- Creep-Zit Threaded Ball Chain Tip
- Creep-Zit Threaded Flex Tip
- Creep-Zit Threaded Screw Tip
- Creep-Zit Male Bull Nose Tip
- Creep-Zit Female Bull Nose Tip
- Creep-Zit Male Lighted Bull-Nose Tip
- "Piggy-Back" tip storage case



Description	Model Name	Part Number
Creep-Zit Threaded Connector Premium Accessory Tip Kit	CZPTK	81-117

## RoyRods™ Quick Connect Rod Kits

### RoyRods Compact 24ft. Kit - Quick Connect Wire Running Rod Kit

This rod kit provides shorter 3ft. rods for more versatility and functionality in confined spaces and includes a soft case with handle straps that enable the kit to be carried like a arrow "quiver" case on your shoulder.

Kit Includes:

- Seven FiberFuse™ 3ft. push/pull rods with male and female Quick Connect ends
- One Luminous (glows in the dark) FiberFuse™ 3ft. push/pull rod with a fixed bull nose end and a female Quick Connect end
- Lighted Bull-Nose Quick Connect Tip
- Whisk Quick Connect Tip
- Ball Chain Quick Connect (12" length)
- Brass Quick Connect Release Thumb Pick
- Premium Nylon Shoulder Case with Zippered Tip Pocket



Description	Model Name	Part Number
RoyRods Compact 24ft. Kit Quick Connect Wire Running Rod Kit	RR24	81-740

## RoyRods™ Accessory & Replacement Tips

### Luminous Whisk Quick Connect Tip - Female Quick Connector Tip

This tip is shaped like a whisk to help guide your rods. The multi-spoked whisk also acts as a "wheel." As you twist your rod, the tip will "roll" sideways - allowing you to accurately steer the tip across most surfaces.



Description	Model Name	Part Number
RoyRods Quick Connect Luminous Whisk Tip	RRLW	81-751

# Installation Cont.

## RoyRods™ Accessory & Replacement Tips Cont.

### Z-Tip Quick Connect Tip - Female Quick Connector Tip

Fish wire way back in a small cavity. Unique inside knife edge securely grabs and holds the wire. Outside “V” allows you to push or “lay-up” wire. If you can touch the wire with the Z-Tip, you can retrieve it!

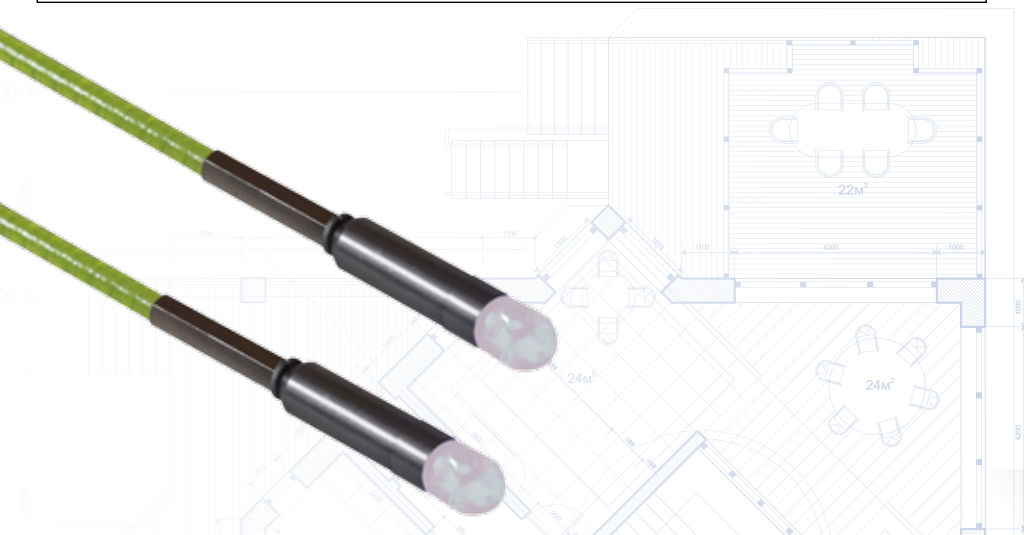


Description	Model Name	Part Number
RoyRods Quick Connect Z-Tip	RRZT	81-706

### Lighted Bull-Nose Quick Connect Tip - Female Quick Connector Tip

Our Patented Lighted Bull-Nose Tip helps find wire in hot, dirty, dark places, which is tough enough without the hassle of finding the rod ends you’re looking for to attach wires. The LBT makes rod location a snap! Now you’re in and out quickly and efficiently to move onto the next job. Small enough to fit through a 3/8” hole and 3 wire attachment holes in the lighted tip cap. A must have that LSDI now includes in all wire running rod kits!

Description	Model Name	Part Number
RoyRods Quick Connect Lighted Bullnose Tip	RRLBT	81-719



### Premium Accessory Quick Connect Tip Kit - Quick Connector

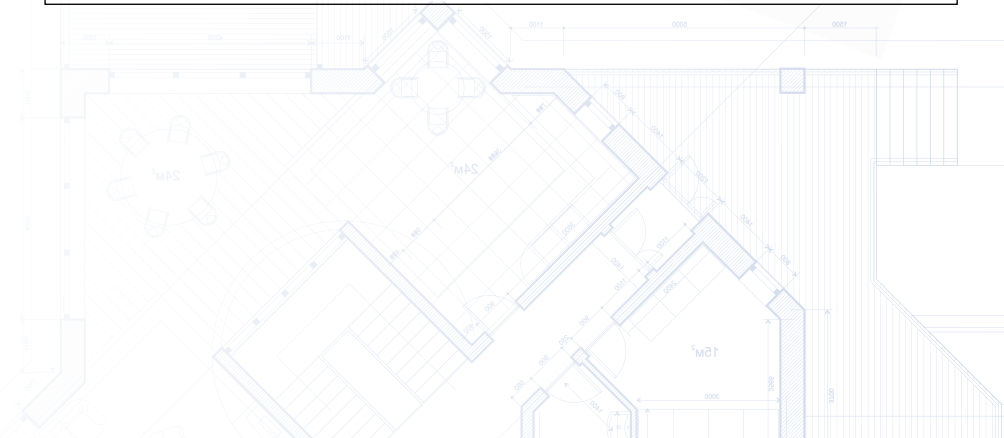
This kit contains a wide range of specialized quick connect tips for your RoyRods system. The kit is intended to compliment your RoyRods Pro 36ft. Push Pull Rod Kit (Model RRP36), the RoyRods 30ft. Rod Kit (Model RR30 or RR30L) or the RoyRods 24ft. Compact Rod (Model RR24) kit by adding multiple specialty tips to meet a wide range of installation challenges.

This kit includes:

- Quick Connect Z-Tip (for secure wire retrieval)
- Quick Connect J-Tip (for pushing or lay-up)
- Quick Connect Lighted Bull-Nose Tip
- Quick Connect Ceramic Magnet Tip (retrieval)
- Quick Connect Magnetic Locating Tip & Compass
- Quick Connect Ball Chain Tip
- Quick Connect Flex Tip
- Quick Connect Screw Tip
- Quick Connect Female Bull Nose Tip
- “Piggy-Back” Tip Storage Case



Description	Model Name	Part Number
RoyRods Quick Connect Premium Accessory Tip Kit in Case	RRPTK	81-745



# Installation Cont.

## General Utility Push/Pull Rods

### Fiberglass Push Rods

This economical single FIBERFUSE fiberglass rod pusher is fluorescent green in color and refracts with light. It is 0.162" in diameter, flexible, yet retains its memory to straight. The rods are blanks with a ground flat end and a hole drilled through to attach wire and push.

Description	Model Name	Part Number
6ft. Fiberglass Wire Pusher	GR6	84-206

Also available in lengths of: 2' (84-202), 3' (84-203), 4' (84-204), 5' 84-205)



### Fiberglass Metal Tip Push/Pull Rods

These stand alone rods combine our FIBERFUSE, fiberglass rod with bull nose metal tips at either end for pushing or pulling wire. Also available in 2' (84-232), 3' (84-233), 4' (84-234), 5' 84-235). Also available in Luminous "glow in the dark" lengths of : 2' (84-212) and 4' (84-214).



Description	Model Name	Part Number
6ft. Fiberglass Push/Pull Rod	GR6BB	84-236
6ft. Luminous Fiberglass Push/Pull Rod	GR6LBB	84-216

## Fiberglass Telescoping Poles

### Grabbit™

The Grabbit™ Is designed for both residential and commercial installations. This tool is indispensable for running (pushing or pulling) wires or cables through limited access areas and false ceilings.

Constructed of non-conductive, lightweight, friction-locking fiberglass



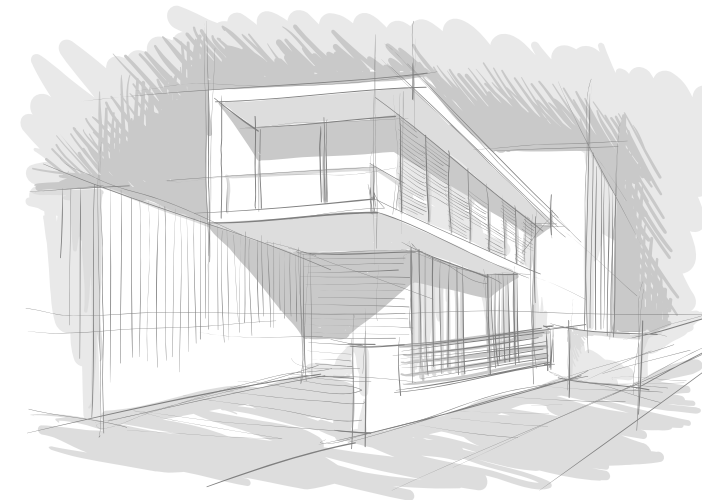
GR-Mini is made of 8 sections, collapses under 22", weighs less than 1lb. & will extend to 10'. (Light-Duty)

GR12 is made of 3 sections, collapses under 55", weighs less than 3lbs & will extend to 12'

GR18 is made of 5 sections, collapses under 58", weighs less than 5lbs. & will extend to 18'

Includes the original and patented Z-Tip wire "grabber", J-Tip that handles wire loops or metal fish tapes & clip-on LED light.

Description	Model Name	Part Number
Grabbit Mini Light Duty 10ft. Pole	GR-Mini	82-110
Grabbit 12 Heavy Duty 12ft. Pole	GR12	82-112
Grabbit 18 Heavy Duty 18ft. Pole	GR18	82-118



# Installation Cont.

## Retrieval Tools

### Wet Noodle™ & Retrievers

Developed to save installation time, this system provides a fast and easy solution for connecting an in-wall entry point to an exit point blindly (without vision tools) to pull wire. Since its introduction many years ago, it has evolved into a mandatory tool for retrofit installation. Because of its speed and efficiency the Wet Noodle™ and Retrievers are a “must have” for every wire and cable installers’ tool box.

24” flexible insulated retriever with “NEW” larger, more powerful (1/4”) magnet on the end opposite of the original (3/16”) Neodymium magnet

10 feet of lightweight ball chain (with stop ring)

LBS 18” telescoping pocket retriever



Description	Model Name	Part Number
Wet Noodle™ Magnetic In-Wall Retrieval System	WNRS	85-124

Description	Model Name	Part Number
10ft. Ball Chain with Stop Ring	WN10	85-024

## Set-Up Tools

### Tool Storage and Transport

### Screw & Connector Bag™

This connector bag gives the installer new freedom and convenience at the job site.

- Eight separate compartments can be used to organize connectors, various fasteners, and other small parts
- Parachute cord closure that doubles as a carry handle
- Constructed of heavy duty Ballistic nylon, with a no-mar bottom



Description	Model Name	Part Number
Screw and Connector Bag	PB8	52-100

## Real Holders

### DeCoil-Zit™

The DeCoil-Zit™ is a collapsible wire reel/spool holder that can be quickly assembled or disassembled for onsite use and easy compact storage.

- Components include 2 steel triangular shaped sections that slide together with standard 18” piece of 1/2” conduit (included) to form a stable platform for your wire reels (reel/spool not included)
- Accommodates reels 20” in diameter
- Capable of handling reel weights up to 200 pounds
- Anti-slip rubber feet provide grip to prevent sliding and scratching the floor



Description	Model Name	Part Number
DeCoil-Zit Wire Reel Holder (up to 20” reels)	DCZ	56-200

## Specialty Hand Tools

### EZ-Cut™

Professional installations demand accuracy. The EZ-CUT™ Template and Level is a template for single or double gang boxes and includes integrated vertical and horizontal leveling vials to assure you are positioning your box in a perfectly level position.

- Lightweight
- Ensures accurate cuts
- Eliminates the frustration of using a separate level for your gang box installations



Description	Model Name	Part Number
Professional Level and Template Tool	EZ-CUT	53-315



# Drilling Tools

## Reference Bits

### The Perfect Reference Point Bit

These small diameter reference bits provide a reference hole through material to check for obstructions, knots or other undesirables. Simply cut at an angle to create a point, measure the length you will need, and drill.

- Use as a reference point to measure when drilling up through a top plate, or up from the basement through any kind of insulation
- Packaged as a set of ten 36" x 0.047 spring wire sections
- Holes created remain unnoticed and do not need refinishing!
- For use in drill chucks that "fully close"



Description	Model Name	Part Number
10 Pack of 36" Spring Wire	PW36047	84-547

## Hole Cutter Attachments & Accessories

### Dual Bladed Hole Cutter with Dust Tray

This versatile and convenient hole cutter enables the professional installer to cut variable size holes with speed, efficiency and minimal clean up. Perfect for cutting multiple speaker or recessed lighting holes, this tool will save you hours of installation time. Simply adjust the hole cutting blade to the desired hole size, mark the desired location of the hole and go to work. A built-in pilot bit enters the target material and centers the cutter in the desired position while the dust tray encloses the cutting arena. Capture the cutting debris as you cut - no more dust cloud with debris everywhere!

- Cuts from 1 3/4" up to 10" holes
- Simple assembly, easier to use than traditional speaker hole cutters
- No counter weights to fight with which reduces vibration for ease of use
- Two separate cutting heads offer cleaner cut, two additional replacement blades also included with case
- Easier blade adjustment and round bowl design for easier clean-up



Description	Model Name	Part Number
Double Bladed Multi-Sized Hole Cutter	DBHC10	56-015

# Testing and Termination

## Termination Tools

### Easy Stripper™ Self Adjusting Wire Stripper

The EasyStripper™ multifunction wire stripping tool makes wire stripping fast and easy. This self-adjusting tool can strip wire from 10-24 gauge, stranded or solid core wire with one squeeze of the handles. The replaceable jaws grab the wire jacket, cut it and strip it away in one smooth motion. Built of solid high quality construction, the tool also provides connector crimping and wire cutting capabilities built-in to the handle. This one tool can replace several tools in your toolbox.



Description	Model Name	Part Number
EasyStripper Self Adjusting Wire Stripper	EZS	53-210

## Soldering

### Compact Soldering Kit

This Kit provides a convenient soldering solution for ensuring proper signal integrity in wire connectors and other electrical connections. This system uses an efficient butane fueled catalytic heating system that concentrates the heat at the tip for effective and accurate soldering. The soldering wand has a built-in igniter and an intensity adjustment wheel to allow range of heat adjustment settings from 10 to 60 watts. The wand uses replaceable tips, flints and fuel supplies.



Portasol Kits Include:

- 7" butane soldering wand with replacement flints
- A standard 2.4 mm tip (on the wand) and a wider 4.8 mm replacement tip
- 3 oz. refill canister of ultra pure Premium Colibri® butane
- 1 oz. of 60/40 solder
- Protective carrying case w/ belt loop
- Canadian Orders: See PSK2

Description	Model Name	Part Number
Portasol Soldering Kit	PSK1	54-100
Portasol Soldering Kit (without Butane)	PSK2	54-101
1 oz. 60/40 Solder Roll	PSSR	54-130
Colibri Butane Refill	PSB	54-110

# Testing and Termination Cont.

## Electronic Testing Tools

### Chex-Zit™ - Continuity Tester

The Chex-Zit™ is a combination continuity and electrical current tester used for performing routine diagnostics on circuits and wiring (both high and low voltage applications). The Chex-Zit is made of aircraft grade aluminum and buffed to a durable satin finish. A bright red LED indicates when continuity (no open circuits) or voltage is detected.

Features include:

- Leadless, meaning no additional wires or clips are needed
- Includes a pocket clip so your Chex-Zit is always available for service
- Powered by 2 AAA batteries (included)
- Use the Chex-Zit for checking Continuity in alarm or other circuits, verify good Earth grounds, transformers or other electrical wiring.

Installers Tip:

- When diagnosing AC wiring (up to 120 volts) the Chex-Zit's LED glows brighter on the "hot" side



Description	Model Name	Part Number
Chex-Zit Continuity Tester	CXT	57-500

# Vision Tools

## In-Wall Vision

### Wall-Eye™ Mini

This compact hand-held periscope viewer/flashlight enables you to see inside dark & confined wall cavities or ceilings through any 3/4" access hole.

Used to view obstacles inside walls such as fire blocks, top or bottom plates, conduit, plumbing, existing wire, studs and debris before you commit to drilling your retrofit wire path

Compact / Made of durable ABS plastic / black in color w/ handy pocket clip that can easily fit into your pocket



Description	Model Name	Part Number
Wall-Eye Mini In-Wall Viewer	WE-Mini	55-415