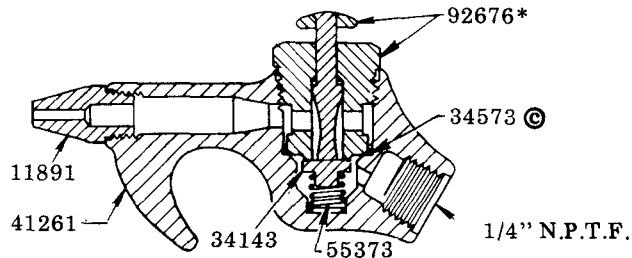


AIR BLOW GUNS

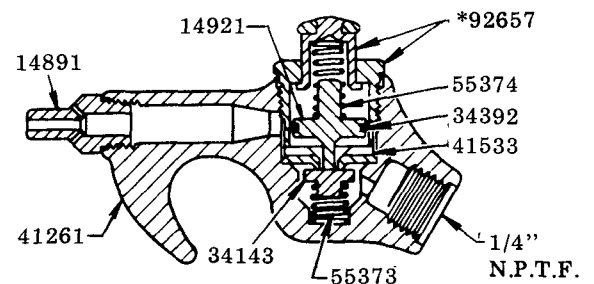
200 P.S.I. MAXIMUM

Models 840, 940, 950, 960

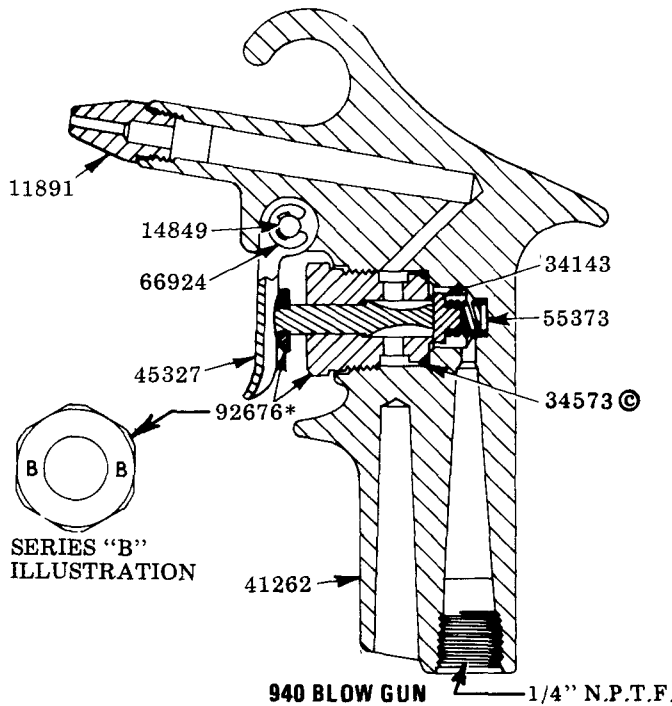
Series "B"



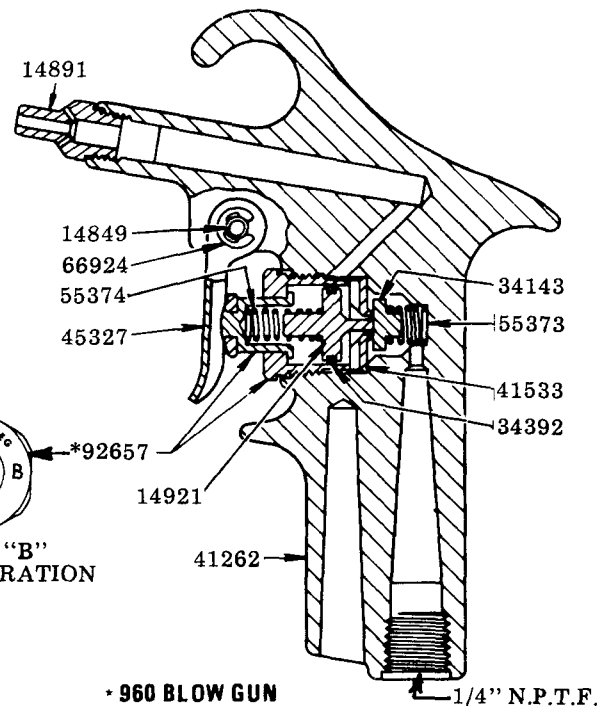
840 BLOW GUN



* 950 BLOW GUN



940 BLOW GUN



* 960 BLOW GUN

LINE PRESSURE P.S.I.	AIR FLOW (SCFM)			
	840	940	* 950	* 960
50	8.6	8.5	10.2	8.6
75	—	—	10.1	8.1
80	13.3	12.4	—	—
100	16.1	14.7	9.9	7.8
150	23.5	21.9	8.8	7.4
200	—	—	8.3	6.8

*950 and 960 Blow Guns are regulated to limit nozzle pressure to 30 P.S.I. maximum. The 92657 Activator Assembly is stenciled "Safety Reg. 50-204.8" to indicate compliance with Federal Safety Regulations, Paragraphs 50-204.8, 1910.242(b) and 1518.302(b)

SERVICE PARTS

PART NO.	DESCRIPTION	PART NO.	DESCRIPTION	PART NO.	DESCRIPTION
11891	Air Nozzle	34573	"O" Ring	55374	Spring
14849	Pin	41261	Air Gun Body	66924	Retaining Ring
14891	Air Nozzle	41262	Air Gun Body	92657	Actuator Assembly
14921	Piston	41533	Check Seat	92676	Actuator Assembly
34143	Valve Disc	45327	Trigger		
34392	"O" Ring	55373	Check Spring		

LINCOLN
A PENTAIR COMPANY

SECTION - G1
PAGE - 2E