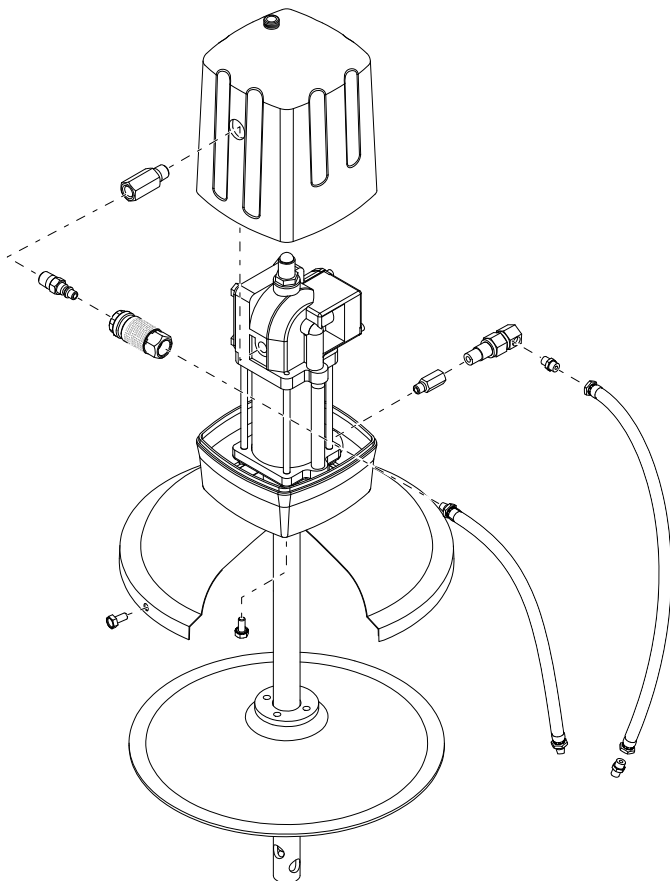


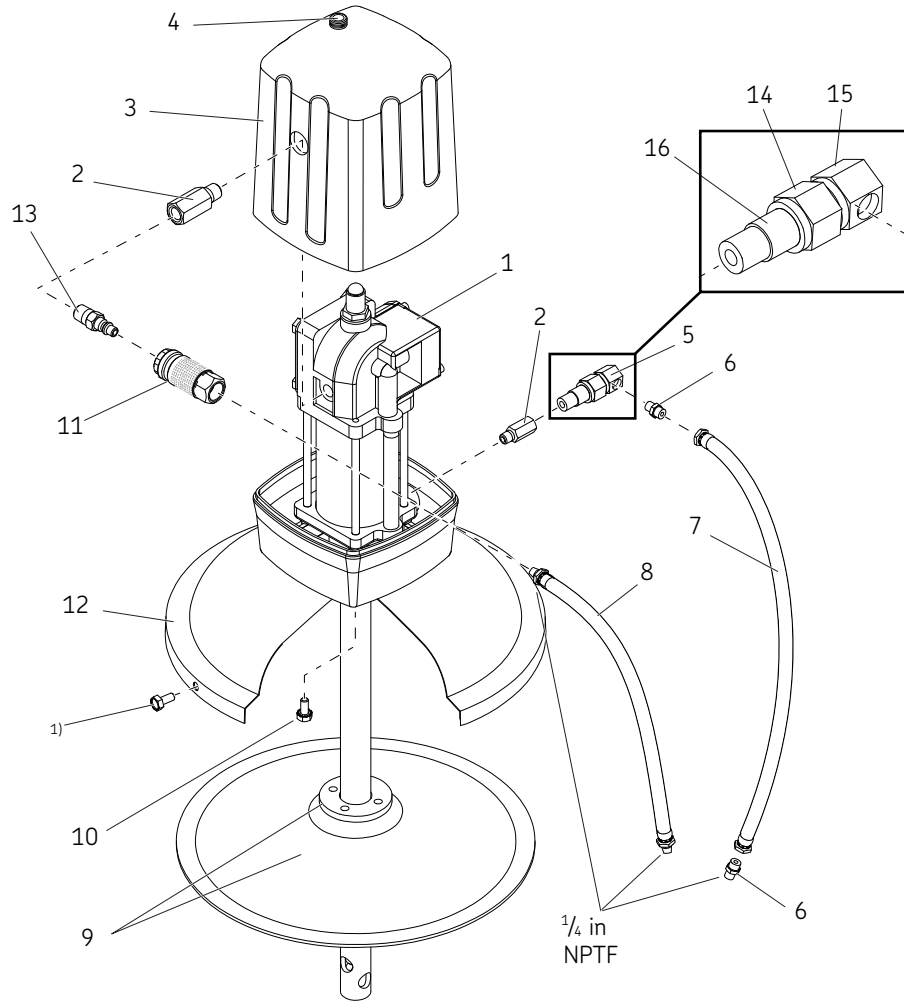
Drum pump, grease

Model 918, 120 lb. drum, 50:1 ratio



Date of issue	March 2018
Form number	403460
Version	2

Fig. 1



Refer to separate instructions

Air coupler Form 4532B
82050 basic pump Form 403510

- 1) Screw (included with 46007)
- 2) Air hose has external thread. Lube hose has internal thread.

NOTE

Follower must be rubbed into lubricant to ensure seal on bottom surface of follower.

Service parts

Item	Description	Part number	Quantity	Item	Description	Part number	Quantity
1	Basic pump	82050	1	10	Screw	50060	4
2	Outlet adapter	11348	2	11	Air coupler	815	1
3	Airmotor cover assembly	84935*	1	12	Drum cover	46007	1
4	Cover nut	11478	1	13	Air coupler nipple	11659	1
5	Elbow union	80202	1	14	Coupler nut	10603	1
6	Hose connector	10198	2	15	Coupler stud	10601	1
7	Lube hose	75060	1	16	Coupler body	10602	1
8	Air hose	72036	1	Not shown	Nut	50754	1
9	Follower	84780	1				

* Indicates change.