

⚠ WARNING

Systems which will be dispensing fluids under pressure may need to be protected by using a thermal relief kit, which will safely limit the pressures caused by thermal expansion. Please contact your local Lincoln distributor and refer to Service Page Section K5, Page 31 for more details. Failure to include thermal relief protection may cause damage not covered under Lincoln's warranty policy.

⚠ CAUTION

Before meter can be placed in service "After Repair", meter must be tested and approved in accordance with U.S. Government's Weight and Measurements Standards

⚠ CAUTION

New metering systems must be purged prior to installation of metering control valve to free system of contaminates.

IMPORTANT NOTE:

The automatic nozzle requires 60 PSI to open and function properly. A pump exceeding 60 psi is required for adequate flow and proper operation. A pump ratio of at least 3:1 is recommended.

OPERATION

The meter can handle petroleum products such as automatic transmission fluid, S.A.E 5 to 50 weight motor oil, S.A.E. 80 to 240 weight gear oil and antifreeze (ethylene glycol).

The meter can be locked in the on position by engaging the trigger lock, to release the lock, the trigger must be depressed thus released the lock. Before each use, reset the meter by rotating the indicator knob counterclockwise to zero.

SPECIFICATIONS:

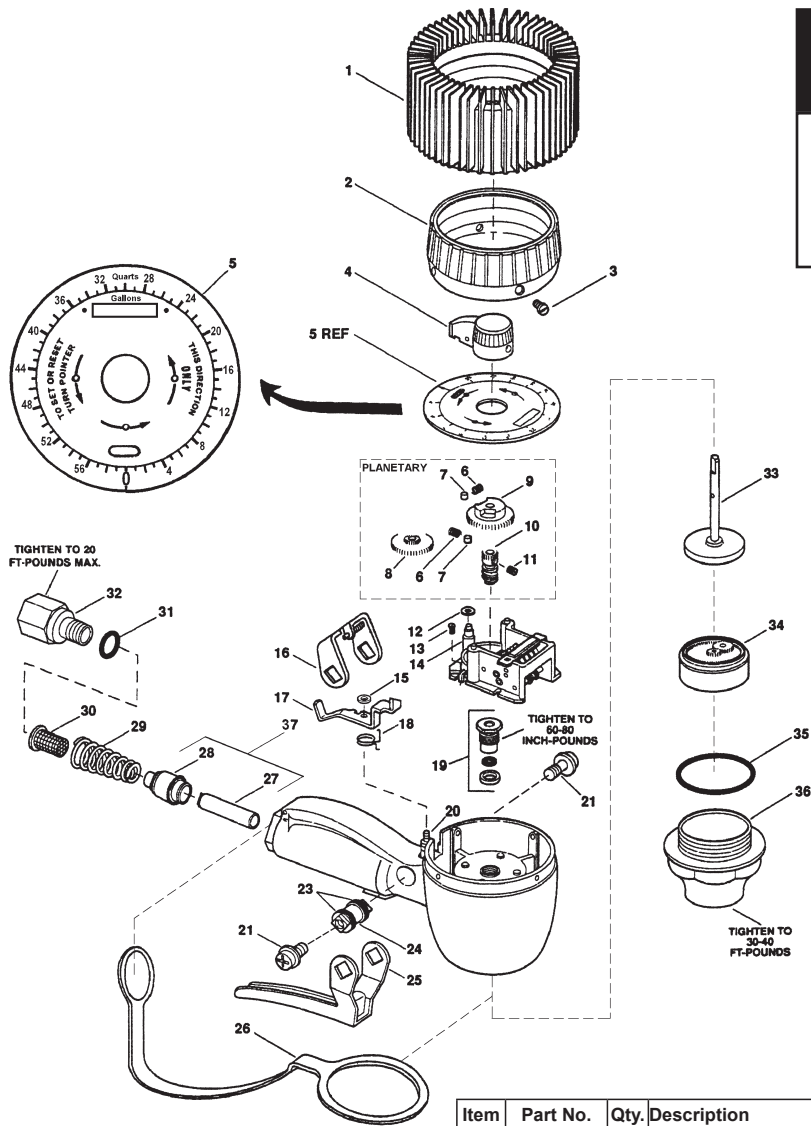
Dial Capacity	1 to 60 Quarts
Totalizer	Gallons
Flow Max.	4 Gal. per min. (15 liters per min.)
Flow Min.	0.4 Gals per min. (1.5 liters per min.)
Operating Pressure Max.	1000 PSI (70 Bar)
Operating Temp. Max.	110°F (45°C)
Accuracy	+/- 0.65%
Weight	3.3 Lbs. (1.5 Kg)
Meter Inlet & Outlet Thds	1/2 NPTF

© Indicates change



CAUTION

If meter is mishandled, the lock bar (item 16) can become bent and screw may fail to contact lock Pawl (Item 17). If this happens, the meter will not shut off at preset amount. Frequent inspection is recommended.



Service Parts

Item	Part No.	Qty.	Description	Item	Part No.	Qty.	Description
1	242911	1	*Shroud Protector	20	236400	1	Pin Lock Pawl
2	68410-12	1	Shroud	21	68410-2	2	Screw
3	66871 -5	4	Shroud screw	22			
4	242913	1	Knob assembly	23	68410-4	2	Quad Ring
5	69303	1	Dial Assembly	24	69304-2	1	Cam
6	66871-3	2	Clutch Spring	25	69304-4	1	Trigger Assembly
7	66871-4	2	Clutch Roller	26	69304-24	1	Hand Guard
8	69304-9	1	Compound Gear Assembly	27		1	** Valve Sleeve Assembly
9	69304-10	1	Preset Knob Drive Cam	28		1	***Valve Seat Assembly
10	66871-157	1	Worm Assembly	29	69304-3	1	Spring
11	50541	1	Set Screw	30	68410-27	1	Screen
12	69304-23	1	Washer	31	243176	1	O-Ring
13	70457-7	4	Screw	32	243175	1	Adapter
14	68602-8	1	Register Assembly	33	66871-111	1	Upper Driving Pawl Gear Assembly
15	69304-14	1	E-Ring	34	68410-15	1	Chamber and Piston Assembly
16	69304-5	1	Lockbar	35	66871-12	1	O-Ring
17	69304-13	1	Lock Pawl	36	68410-14	1	Cap
18	69304-12	1	Lock Pawl Spring	37	271700	1	Valve Assembly
19	237388	1	Packing Kit				

* May be purchased separately
 ** See valve assembly item 37