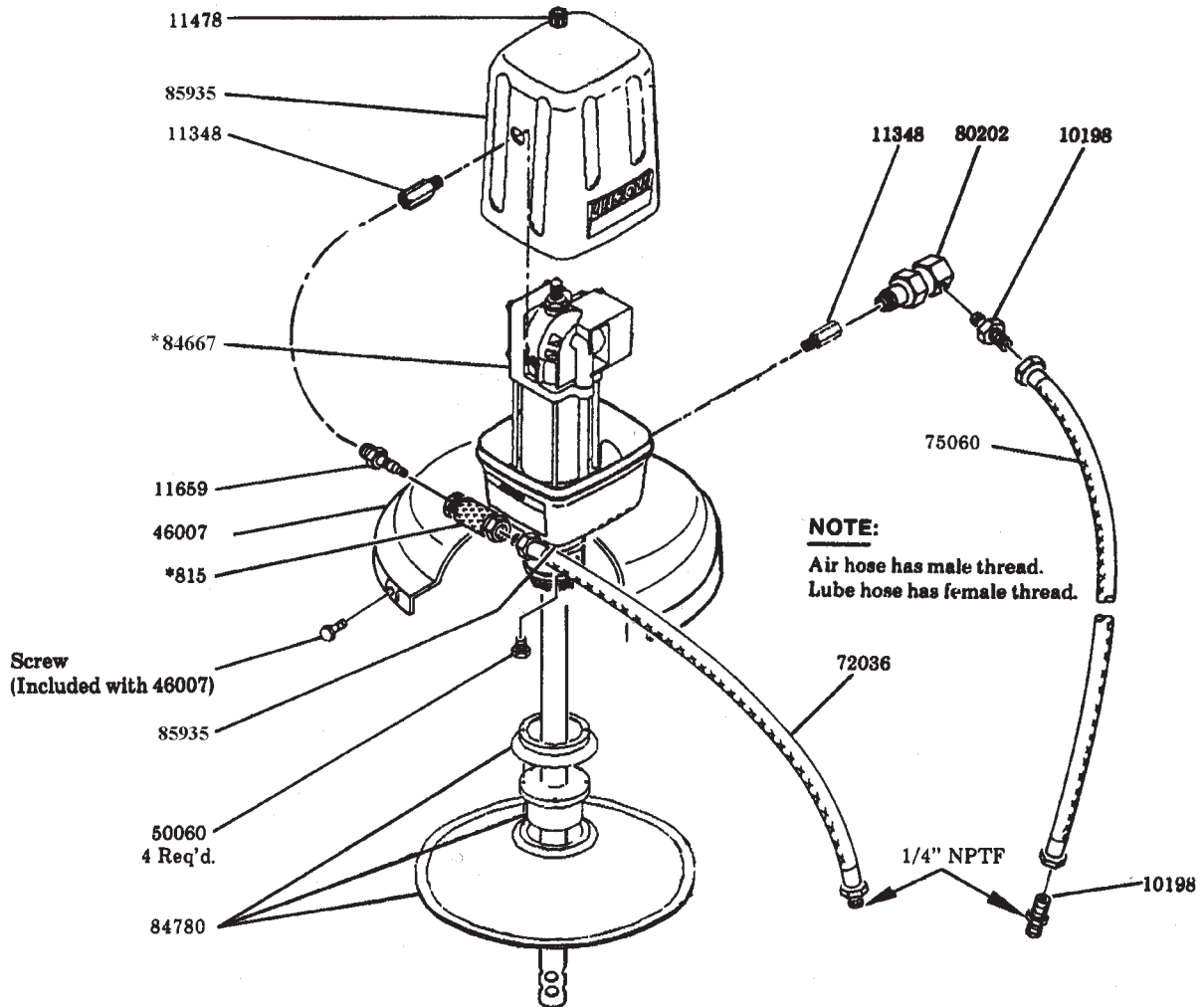


120 LB. DRUM
50:1 RATIO



NOTE:
Air hose has male thread.
Lube hose has female thread.

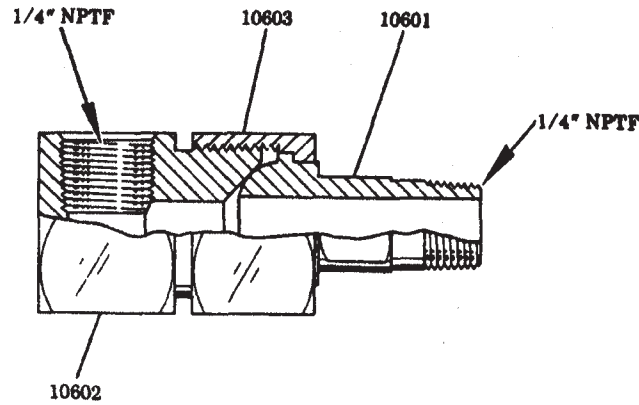
NOTE:

FOLLOWER MUST BE RUBBED INTO THE LUBRICANT TO INSURE A SEAL ON THE BOTTOM SURFACE OF THE FOLLOWER.

***REFER TO SEPARATE INSTRUCTIONS**

815 Air Coupler
84667 Basic Pump

**Model 1418
DRUM PUMP - GREASE**



80202 ELBOW UNION

SERVICE PARTS

Part	Qty.	Description	Part	Qty.	Description
815	1	Air coupler	46007	1	Drum cover
10198	2	Hose connector	50060	4	Screw
10601	1	Coupler stud	72036	1	Air hose
10602	1	Coupler body	75060	1	Lube hose
10603	1	Coupler nut	80202	1	Elbow union
11348	2	Outlet adapter	84667	1	Basic Pump
11478	1	Cover nut	84780	1	Follower
11659	1	Air coupler nipple	85935	1	Pump Cover Kit

RETAIN THIS INFORMATION FOR FUTURE REFERENCE

When ordering replacement parts, list: Part Number, Description, Model Number, and Series Letter.
LINCOLN provides a Distributor Network that stocks equipment and replacement parts.