

Owner/Operator Responsibility

It is the owner/operator responsibility to properly use and maintain this equipment.

The instructions and warnings contained in this manual shall be read and understood by the owner/operator prior to operating this equipment.

If an owner/operator does not understand english, the contents of this manual shall be explained in the owner/operator native language to assure the owner/operator comprehends.

It is the owner/operator responsibility to maintain the legibility of all warning and instruction labels.

The owner/operator shall retain this manual for future reference to important warnings, operating and maintenance instructions.

Description:

Oil lube dispenser is a lever action pump for transferring gear oils, heavier oils and other non-corrosive liquids.

Specifications:

Fits : 25 - 50 lbs / 5 gallons / 20 liter barrels.

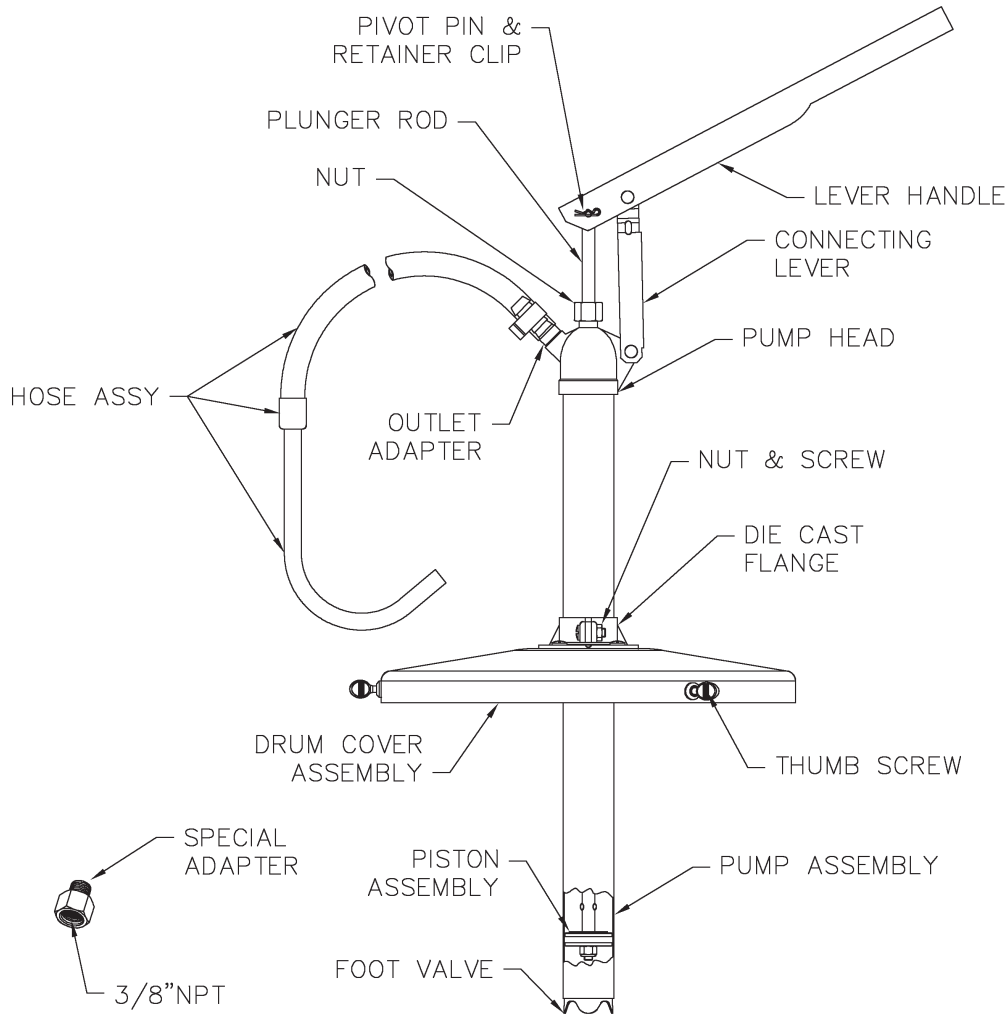
Delivery : 60 ml (2 oz) of fluid for stroke©

Drum cover diameter - 12" (310 mm)

Pump length - 18" (457 mm)

The pump comes complete with fuel resistant soft pvc hose with steel spout

**MODEL 1293
MANUAL LUBE DISPENSER
Series "C"**



Assembly & operation

1. Place the drum cover assembly over the container. Tighten the 3 thumb screws onto the drum cover assembly to attach the drum cover firmly onto the container.
Note: Take care to tighten the thumb screw evenly on to the container (only hand tighten the thumb screws).
2. Pull the plunger rod of piston assembly up and attach the lever handle to the piston rod using the pivot pin and retainer clip.
3. Push the pump tube assembly through the die cast flange of the drum cover and push down until the pump tube rests on to the base of the container.
Note: Ensure that the tube assembly touches base of the container
4. Tighten the machine screw and the hex nut in the flange assembly to hold the pump assembly firmly in place.
Note: Do not over tighten the screw and nut.
5. Screw the outlet adapter onto the pump head.
Note: do not over tighten the adapter & use a thread sealant to prevent leakage.

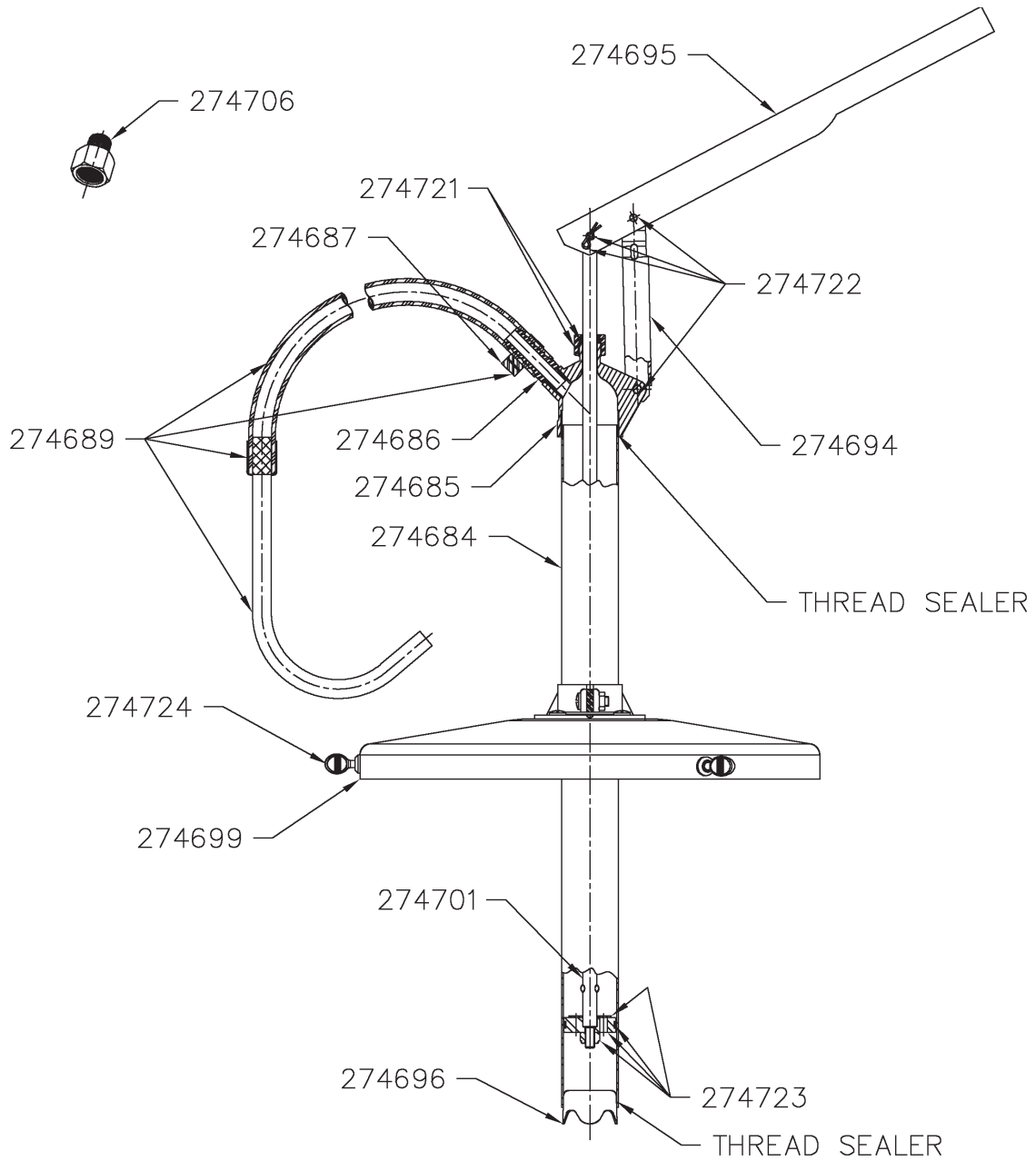
6. Push the hose assembly with hose clamp onto the outlet adapter of the pump.
Note: ensure that the hose clamp is firmly seated over the hose assembly & outlet adapter.

Note: special adapter for use with the Lincoln 82757 hose and nozzle kit.

To install hose assy remove the standard outlet adapter and install the special adapter.

The pump is now ready, start the pump by moving the Lever handle up as high as it will go then down, material should begin to flow after just a few strokes. If not the pump needs priming, put some oil in the hose outlet of the pump and start operating the lever handle.

Note: when the pump is not in use, place the hose Assembly in to the hole provided on the drum cover. (while installing the pump pierce open the hole on the Drum cover using a pin punch)



Parts Required

Part	Description	Qty	Part	Description	Qty
274684	Barrel	1	274696	Follower Cap Assy	1
274685	Head	1	274699	Drum Cover Assy	1
274686	Hose Tail	1	274701	Plunger Rod	1
274687	Plastic Hose Clamp	1	274706	Adapter	1
274689	Kit Hose Assy	1	274721	Kit Cap & O-Ring	1
274694	Connecting Level	1	274722	Kit Pin & Rivet	1
274695	Handle	1	274723	Kit Plunger	1
			274724	Kit Thumb Screw	1

**MODEL 1293
MANUAL LUBE DISPENSER
Series "C"**



Troubleshooting

Problem	Cause	Remedy
Hard to pump.	Gland nut is screwed down too tight.	Adjust gland nut.
	Bent Piston Rod	Replace piston rod and piston assembly.
Pump fails to prime.	Footvalve Ball is not sealing.	Remove and clean the Footvalve. Reassembly the Footvalve using pipe sealant on the threads.
	Piston Valve is damaged and is not seating.	Replace piston and piston rod assembly.

! WARNING

Failure to heed the following warnings including misuse, modifying parts, using incompatible Chemicals and fluids, or using worn or damaged parts, may result in equipment damage and/or serious personal injury, fire, explosion, or property damage.

- Do not alter or modify any part of this equipment.
- Make sure the pump and all other equipment used or located in the pumping area are grounded.
- Do not use the pump if any static sparking or electrical shock occurs. Stop pumping immediately and do not use the pump until the problem is corrected.
- Make sure all fluid connections are securely tightened before using this equipment.
- Always read and follow the fluid manufacturers recommendations regarding fluid compatibility, and the use of protective clothing and equipment.
- Check all equipment regularly and repair or replace worn or damaged parts immediately.