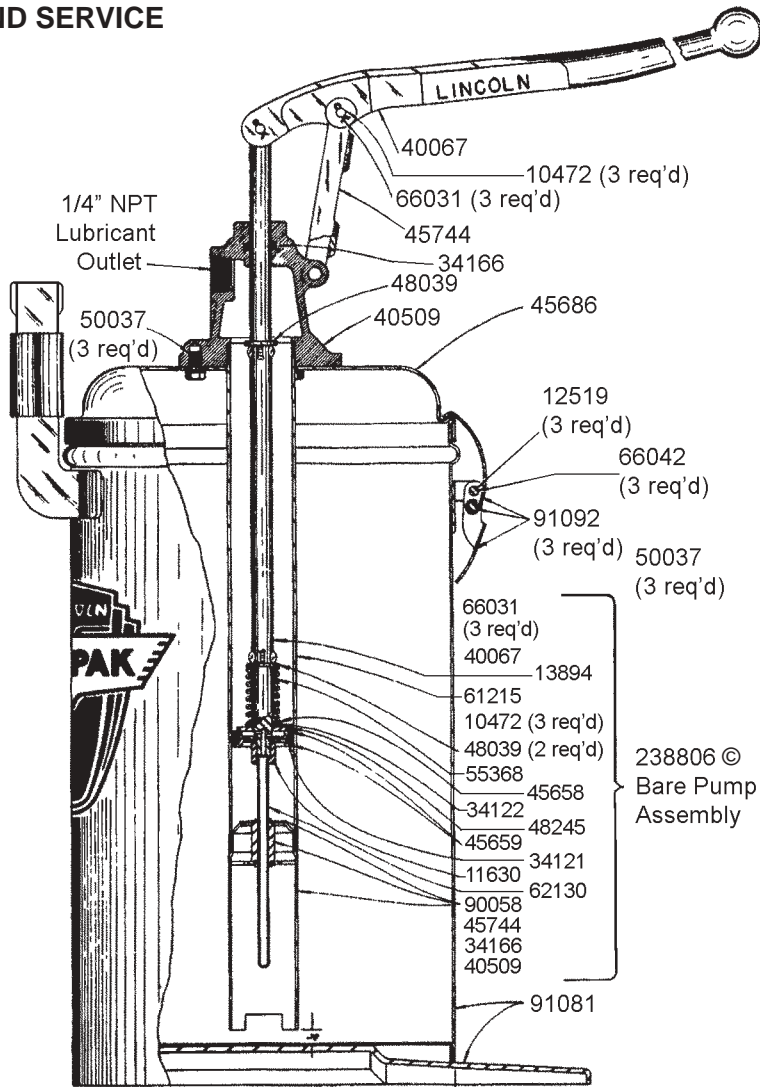




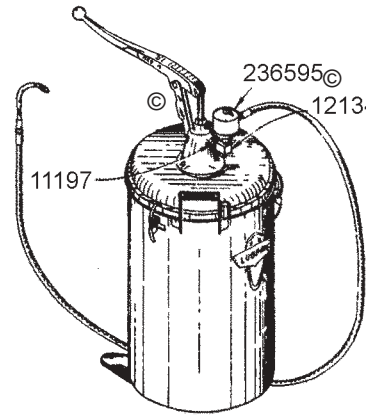
1253 and 1254 LINCOLN LUBPAK Series "E"

30 LB. CAPACITY

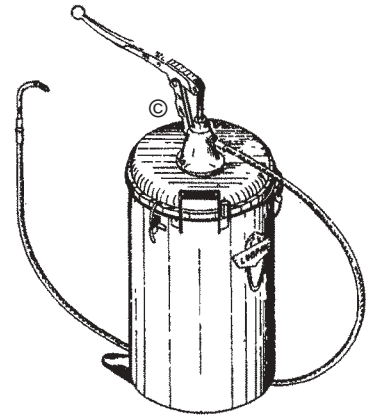
OPERATING INSTRUCTIONS
PARTS AND SERVICE



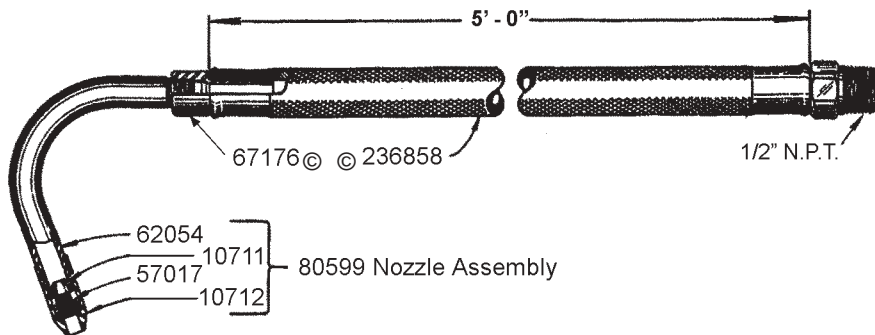
MODEL 1252 WH & RD
LUBE PAK



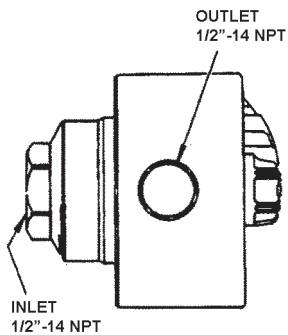
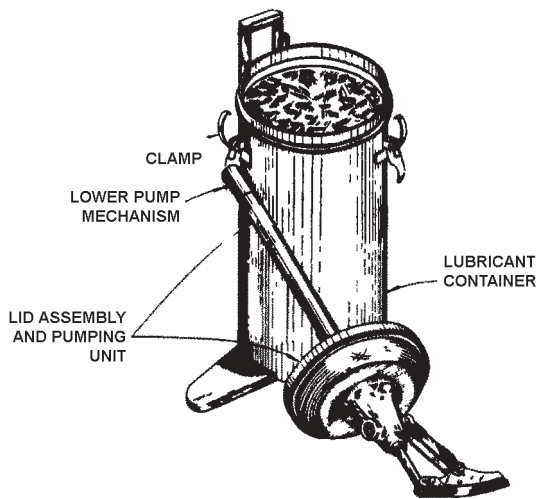
MODEL 1253



MODEL 1254

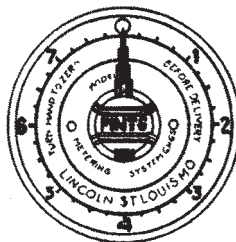


© Indicates change



MODEL 236595 PINT METER
Used On Model 1253

NOTE: This Meter should be handled carefully, as it is an instrument that will not stand abuse. Must be returned to the factory for all repairs.



FILLING CONTAINER

Unfasten three Clamps holding the Container Lid to the Container. Entire Lid Assembly and Pumping Unit can then be removed from the Container.

Pack Lubricant carefully in Container to avoid excessive air pockets. Clean inside of Container before filling with Lubricant. Foreign material may result in extensive damage if inducted into lower Pump Mechanism.

OPERATING INSTRUCTIONS

Pump is operated by up and down movement of Pump Handle. Volume of Lubricant dispensed is controlled by speed with which Handle is operated and length of stroke taken to operate Pump. To obtain maximum volume use full range of Handle movement from top-most position to bottom stop of stroke

LOSS OF VOLUME OR PRESSURE INDICATES

- A. Lubricant low in Container and not flowing to bottom of Pump Tube
- B. 90058 Foot Valve fouled or 48245 and 45659 Piston held open by foreign particles. Remove and clean.
- C. After extensive use the 34121 and 34122 Packing* may be worn or damaged. Replace with new Packings. Before replacing 34121 packing examine inside of 61215 Tube for rough surface and replace Tube if damaged.

REPAIR PARTS LIST

Part No.	Description	Part No.	Description
10472	Toggle Pin	48245	Piston Check Disc
10711	Nozzle Check	50037	Hex Hd Screw
10712	Nozzle Tip	55368	Pump Piston Spring
11197	Hex Nipple	57017	Nozzle Spring
11630	Expeller Tube Adapter	61215	Pump Tube
12134	Elbow	62054	Nozzle Tube
12519	Fastener Pin	62130	Air Expeller Tube
13894	Connecting Rod	66031	Cotter
34121	Piston Packing	66042	Cotter
34122	Check Disc Packing	80599	Nozzle Assembly
34166	O-Ring	90058	Foot Valve Assembly
40067	Pump Handle	91081	Container Assembly
40509	Cylinder Bead	91092	Fastener Assembly
45658	Packing Retainer	236595	Meter
45659	Piston	238805	Hose and Nozzle Assembly
45686	Container Cover	238806	Bare Pump Assembly
45744	Toggle	236858	Hose
48039	Packing Washer		