
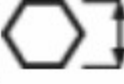
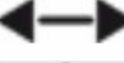

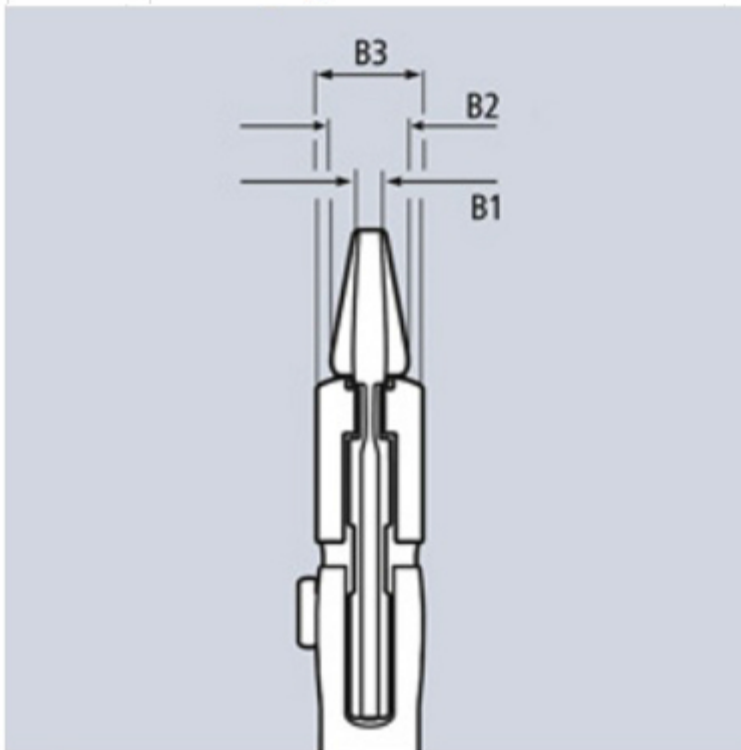


No.	86 43 250 US
Pliers	chrome plated
Handles	plastic coated
B1	<b>5/16 Inch</b> 8,0 mm
B2	<b>5/16 Inch</b> 8,0 mm
B3	<b>35/64 Inch</b> 14,0 mm
adjustment positions	17
 Capacities for nuts	1 3/4 Inch
 Capacities for nuts	<b>1 13/16 Inch</b> 46 mm
 Length	<b>10 Inch</b> 250 mm
 Net weight	<b>1,190 lbs</b> 540 g



box joint



smooth gripping surfaces



15° Jaws, angled, 15 °

Looking for dependable pliers? Rely on Knipex for quality and long-lasting products.