

# ASSEMBLY INSTRUCTIONS

## STORAGEMASTER® Heavy-Duty Rolling Work Benches - Models 53 - 59 & Model 62 WAR WAGON® Rolling Work Bench

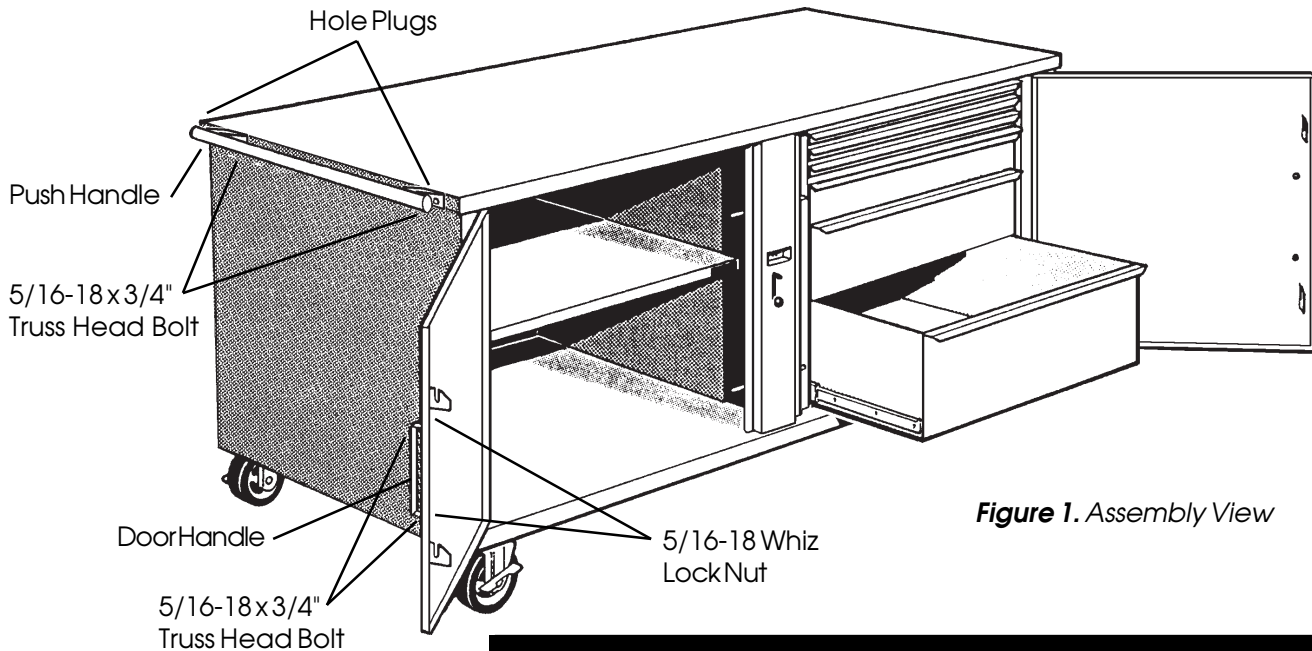


Figure 1. Assembly View

### IMPORTANT BEFORE YOU BEGIN

Read these instructions and warnings completely before installation.

### TOOLS REQUIRED

- Rubber Mallet
- 1/2" Socket (3/8" drive)
- 3/8" Medium Extension
- 3/8" Ratchet Wrench
- Screwdriver, common
- Screwdriver, phillips

### PARTS LIST

- Work Bench Cabinet
- Handle Kit

#### 55-59 HANDLE KIT

- 1 - Push Handle
- 2 - Door Handles
- 6 - 5/16-18 x 3/4" Bolt, Truss Hd.
- 4 - 5/16-18 Hex Whiz Nut
- 2 - Hole Plugs
- 1 - Lift Knob

#### 62 HANDLE KIT

- 1 - Push Handle
- 6 - Door Handles
- 14 - 5/16-18 x 3/4" Bolt, Truss Hd.
- 12 - 5/16-18 Hex Whiz Nut
- 2 - Hole Plugs
- 2 - Lift Knob

## **⚠ DANGER**

- Do not put fuels, flammables, explosives or hazardous materials inside these products.
- Gasoline, solvents, gun powder or other munitions, dynamite, propane, acetylene or other such products can explode if stored inside these products.
- Use these products **ONLY** for storing and transporting electric or hand tools and equipment, and other similar materials.
- Failure to follow these warnings or modification or other uses of these products could result in death, serious injury or property damage.

## **CAUTION**

Caster Brakes are not suitable for keeping units in place when transporting. Secure by another method. Do not use casters on rough or uneven surfaces. Do not tow caster mounted boxes.

## **⚠ WARNING**

Black door knob must be latched in the closed position when moving this product, so doors and drawers do not open on inclines, which can cause serious personal injury or property damage.

## ASSEMBLY INSTRUCTIONS

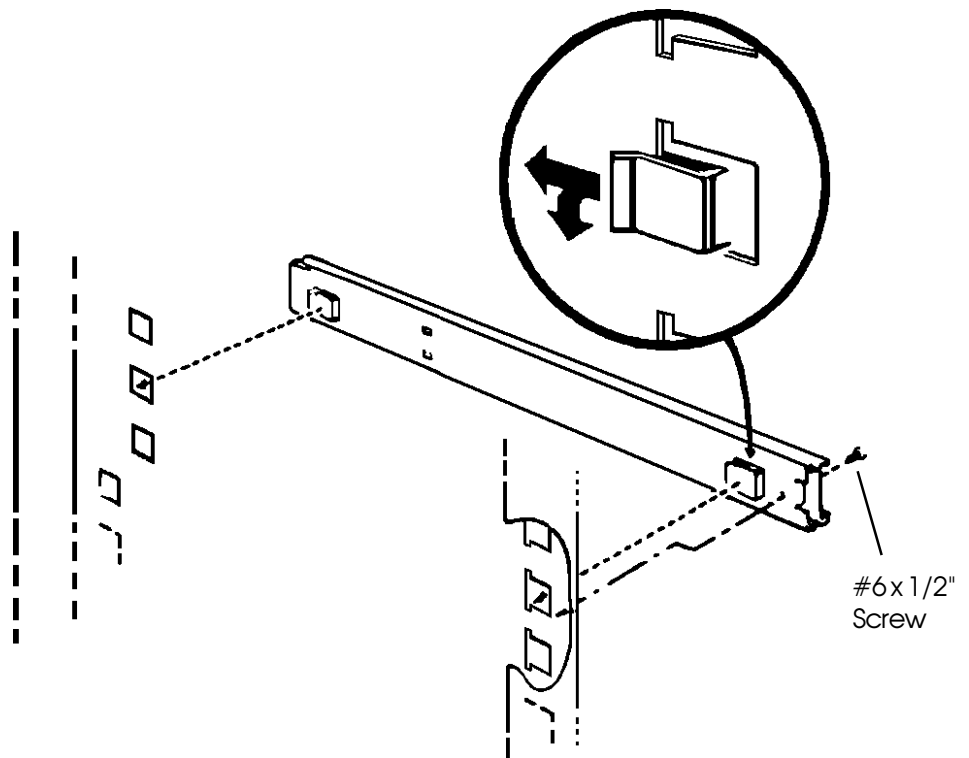
1. Remove the handle kit from the cabinet. Attach the Door Handles (*Figure 1.*). Insert one Hole Plug into each end of the Push Handle then attach the handle to the end with the swivel casters.

2. Thread the black lift knob into the bottom of the slot in door centerpost.

### 3. WATCHMAN® III Lock System -

**IMPORTANT:** Carefully follow the separate instructions (see inside of door) which will guide you to a proper lock installation.

4. Remove the tape from the swivel casters. Using a mechanical lifting device, raise the cabinet slightly, then knock the honeycomb blocks off of the cabinet bottom using a rubber mallet.



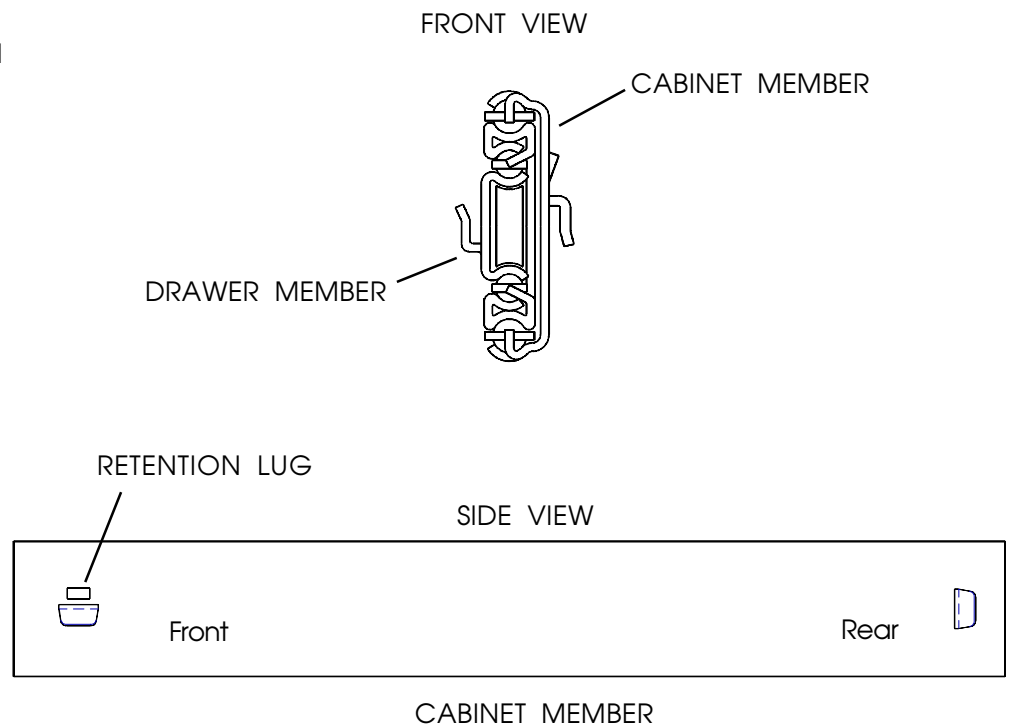
**Figure 2.** Upper Drawer Slide Installation

## Drawer Installation

Two types of drawer and drawer slides are available for Models 55 & 57. The upper three positions will receive three 1" drawers or one 1" and one 2-1/2" drawer, both with regular duty slides. The six lower positions will receive 2-1/2", 6", or 9-1/2" 12 gauge drawers with heavy-duty slides.

### Upper Drawer Installation (three upper positions)

Take one slide (*Figure 2.*) and insert the clips (Inset) into the front and rear notches of the drawers support panel. Push the slide to the rear and down. Secure slide with a screw through end access hole in the slide.



**Figure 3.** Installing Lower Drawers

## Lower Drawer Installation (six lower positions)

1. Take one heavy duty slide and insert rear clip into desired rear notch, and lower front clip into front notch (See Figure 3.).

2. To install a drawer, simply insert the drawer slide into the cabinet side and close the drawer completely. The mechanism will automatically latch.

## DRAWER REMOVAL

To remove a drawer, pull the drawer out until it stops. Notice the locking levers located inside the track that is attached to the drawer. Lift the left lever (A) while pressing down on the right lever (B) (See Figure 4.). Pull the drawer clear on the slides.

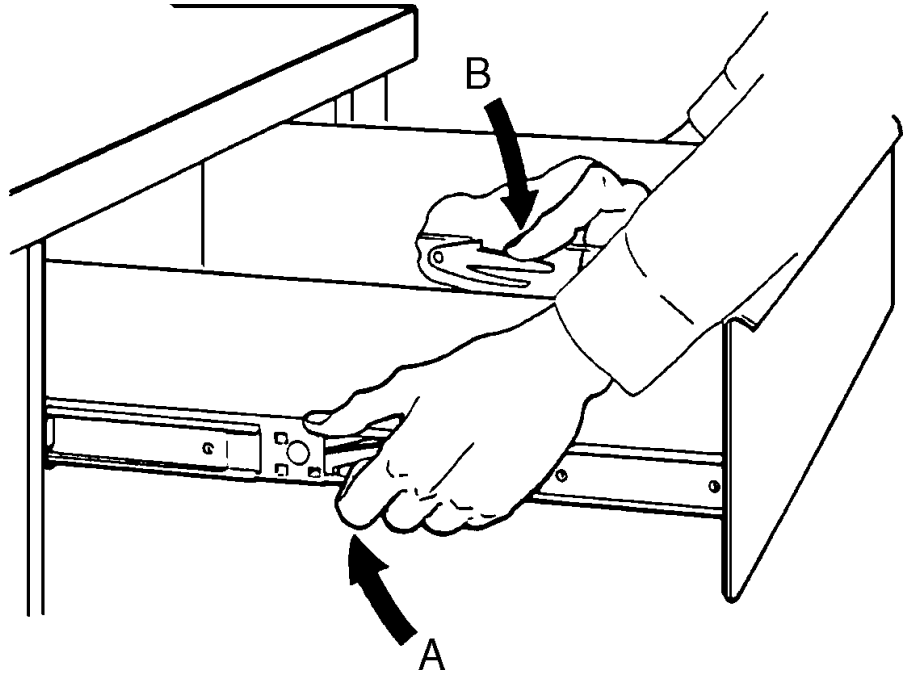


Figure 4. Drawer Removal

### ⚠ CAUTION

Pull out only one drawer at a time to avoid sudden tipping of product which could cause serious personal injury or property damage. For optimal weight distribution of unit, install larger drawers in lower positions of unit.

## DRAWER SLIDE REMOVAL (CABINET MEMBER)

**Upper Drawer Slides** - remove the screw from the slide that holds it to the inner panel. Lift the slide up, then pull forwards.

**Lower Drawer Slides (HD)** - twist the top of the slide inward while lifting and pulling forward.

## DRAWER ARRANGEMENTS

Figure your drawer arrangement from the table below:

1" deep drawer requires 1 notch
2-1/2" deep drawer requires 2 notches
2-1/2" deep (HD) drawer req. 1 notch
6" deep (HD) drawer req. 2 notches
9-1/2" deep (HD) drawer req. 3 notches

You can assemble any combination of (HD) drawers as long as you do not use any more than six notches.

## WEIGHT CAPACITIES

The following weights are the load ratings for the drawers:

1"	97 lbs.
2-1/2"	94 lbs.
2-1/2" (H.D.)	180 lbs.
6" (H.D.)	172 lbs.
9-1/2" (H.D.)	166 lbs.