

# ASSEMBLY AND INSTALLATION INSTRUCTIONS

## STORAGEMASTER® Rolling Work Benches - Models 45•47•48•49•50

### IMPORTANT BEFORE YOU BEGIN

Read these instructions and warnings completely before assembly.

#### ⚠ WARNING

**Black knob must be latched in the closed position when moving this product, so doors and drawers do not open on inclines, which can cause serious personal injury or property damage.**

### PARTS LIST

- 1- Rolling Work Bench
- 1- Caster Set
- 1- Handle Kit
- 4- Drawers (Model 45 only)
- 0- Drawers (Model 47 only)
- 2- Drawers (Model 48 only)
- 8- Drawers & 1- Shelf (Model 49 only)
- 8- Drawers (Model 50 only)

### CASTER BOLT KIT

- 16 5/16-18 x 3/4" Carriage Bolt
- 16 5/16-18 Whiz Lock Nut
- 16 1/4" Pushnut

### HANDLE / LIFT KNOB KIT

- 1 - Push Handle
- 2 - Door Handle
- 6 - 5/16-18 x 3/4" Bolt, Truss hd.
- 4 - 5/16-18 Hex Whiz Nut
- 1 - Lift Knob

### TOOLS REQUIRED

- 1/2" Open or Box End Wrench
- 1/2" Socket (3/8" drive)
- Medium Extension (3/8" drive)
- Ratchet Wrench (3/8" drive)
- Torque Wrench (ft. lbs.)
- Screwdriver, common

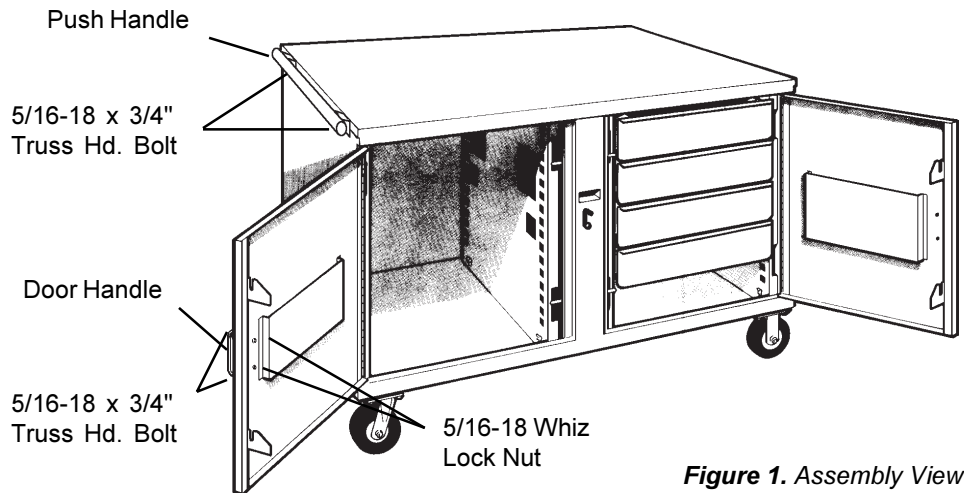


Figure 1. Assembly View

## ⚠ DANGER

- Do not put fuels, flammables, explosives or hazardous materials inside these products.
- Gasoline, solvents, gun powder or other munitions, dynamite, propane, acetylene or other such products can explode if stored inside these products.
- Use these products **ONLY** for storing and transporting electric or hand tools and equipment, and other similar materials.
- Failure to follow these warnings or modification or other uses of these products could result in death, serious injury or property damage.

### ASSEMBLY INSTRUCTIONS

1. Remove the caster box and handle kit from the cabinet. Attach Handles to the doors (Figure 1.). Attach the Push Handle to the end.

### WATCHMAN® III Lock System

#### IMPORTANT:

Carefully follow the separate instructions (see inside of door) which will guide you to a proper lock installation.

## CAUTION

**Caster Brakes are not suitable for keeping units in place when transporting. Secure by another method. Do not use casters on rough or uneven surfaces. Do not tow caster mounted boxes.**

### Caster Set Installation

2. Close the doors and lay the cabinet on it's back, onto the flattened shipping carton to prevent scratches (Figure 2.). Mount the Swivel Casters on the end you mounted the Handle. Insert a Carriage bolt into a mounting hole, and push a Pushnut onto the bolt to hold it in place (Figure 3). Repeat this for the other three mounting bolts. Place the Caster over the bolts, then fasten with Whiz Nuts. Repeat this for the remaining Casters.

3. Stand the unit upright. The Model 45 will now be complete. If you have a Model 47 or are adding drawers to your Model 45, read on.

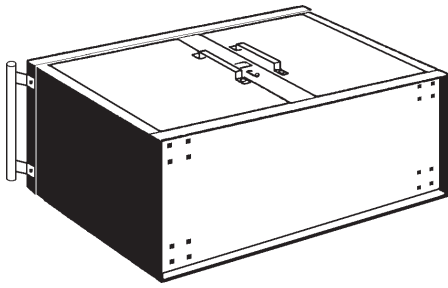


Figure 2. Caster Mounting Holes

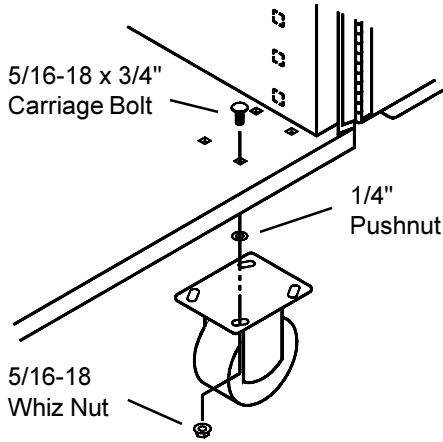


Figure 3. Caster Mounting

## Drawer Removal and Installation

4. To remove a drawer (Figure 4.), pull the drawer out till it stops. Notice the locking levers located inside the track that is attached to the drawer. Lift the left lever (A) while pressing down on the right lever (B). Pull drawer clear of the slides.

5. To replace a drawer, simply insert the drawer slide into the cabinet slide and close the drawer completely. The mechanism will automatically latch.

## Drawer Slide Installation

6. The Drawer Support Panel (Figure 5. Item A) has four wing nuts (B) that are used to adjust the spring loaded panel. Adjust these wing nuts as necessary to obtain an approximate measurement of 17-13/16" between the left and right support panels. It is important to measure across all four corners.

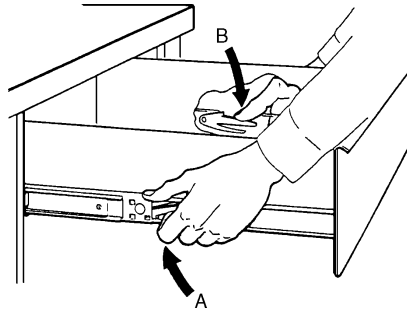


Figure 4. Drawer Removal

7. Figure your drawer arrangement first. There are 15 possible "notches" for drawer mounting in the following manner:

- 1" deep drawer requires 1 notch.
- 2" deep drawer requires 2 notches.
- 4-1/2" drawer requires 3 notches.
- 6" deep drawer requires 4 notches.

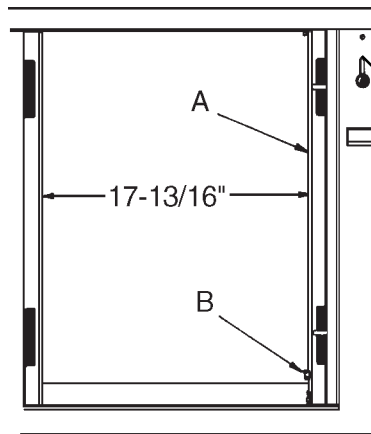


Figure 5. Support Panel

You can assemble any combination, as long as you do not use more than the 15 notches.

8. Take one slide (Figure 6.) and insert the clips (Inset) into the front and rear notches of the drawer support panel. Push the slide to the rear and down. Secure the slide through the end access hole in the slide.

9. With all slides installed, install the top and bottom drawers and operate them a few times. If they seem sluggish, further adjustment to the wing nuts may be required. Once the drawer action is satisfactory, install the remaining drawers.

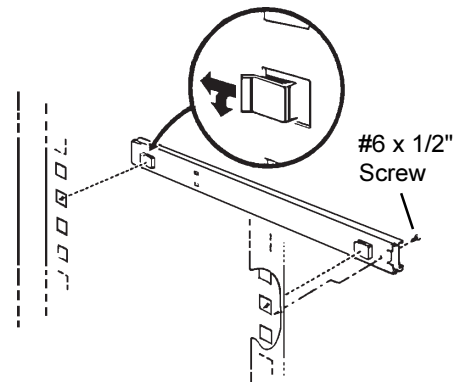


Figure 6. Drawer Slide Installation

## CAUTION

Pull out only one drawer at a time to avoid sudden tipping of product which could cause serious personal injury or property damage. For optimal weight distribution of unit, install larger drawers in lower positions.

## - NOTICE -

Any modification or unintended use of this product shall immediately void all manufacturer's warranties. Manufacturer disclaims all liability for injuries to persons or property resulting from any modification to, or unintended use of this product.