



JOB SITE STORAGE SOLUTIONS

INSTALLATION MANUAL

Model 100 JOBMASTER® Rolling Cabinet

ATTENTION: PLEASE READ AND UNDERSTAND ALL INSTRUCTIONS AND WARNINGS BEFORE ASSEMBLING, INSTALLING OR USING THIS PRODUCT.

DANGER

- Do not put fuels, flammables, explosives or hazardous materials inside these products.
- Gasoline, solvents, gun powder or other munitions, dynamite, propane, acetylene or other such products can explode if stored inside these products.
- Use these products ONLY for storing and transporting electric or hand tools and equipment, and other similar materials.
- Failure to follow these warnings or modification or other uses of these products could result in death, serious injury or property damage.

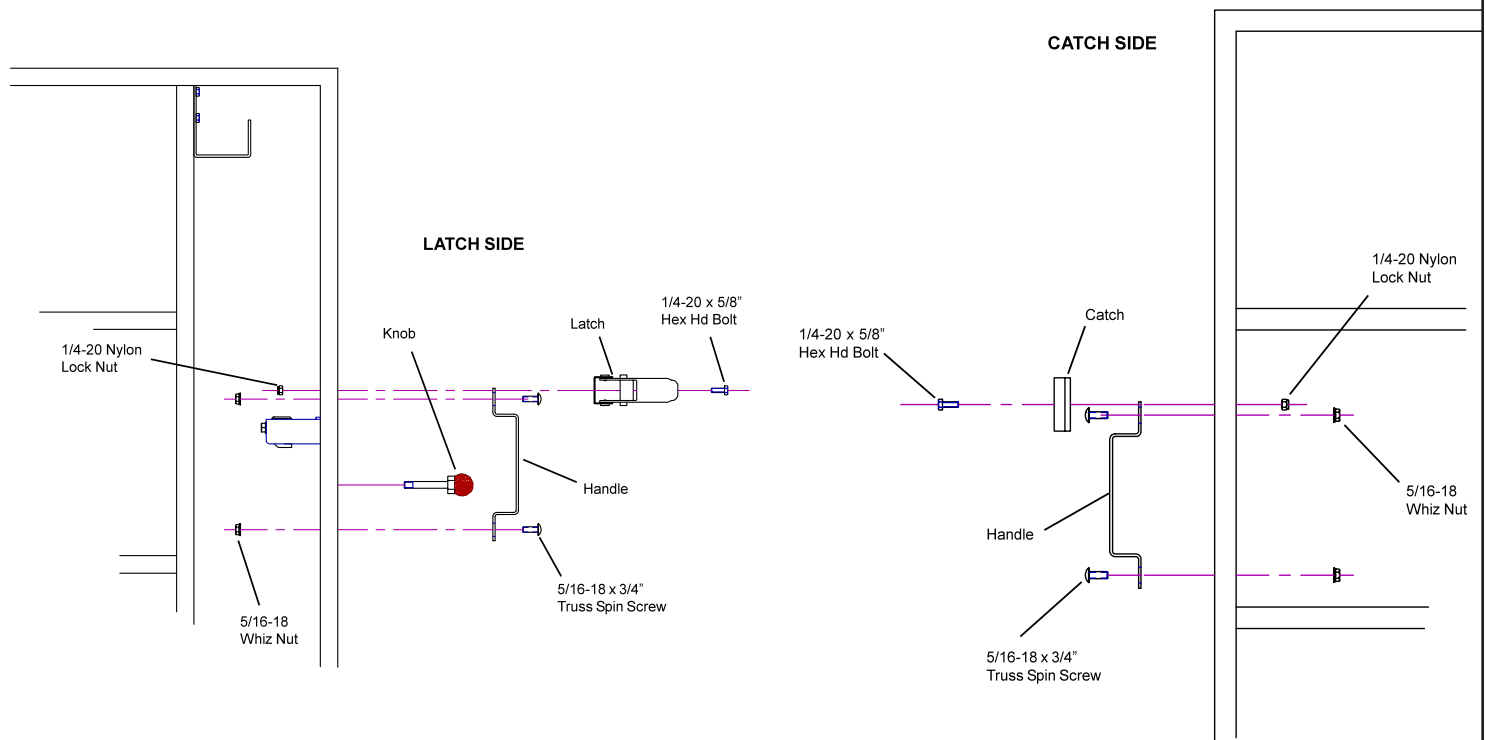
WARNING

Black knob must be in the lower left position & securely latched when moving this cabinet, so unit will not open & tip over on inclines, which can cause serious personal injury or property damage.

– NOTICE –

Any modification or unintended use of this product shall immediately void all manufacturers warranties. Manufacturer disclaims all liability for injuries to persons or property resulting from any modification to, or unintended use of this product.

INSTALLATION INSTRUCTIONS



NOTE:
For easier maneuverability, push or pull this storage unit from the handle end.