

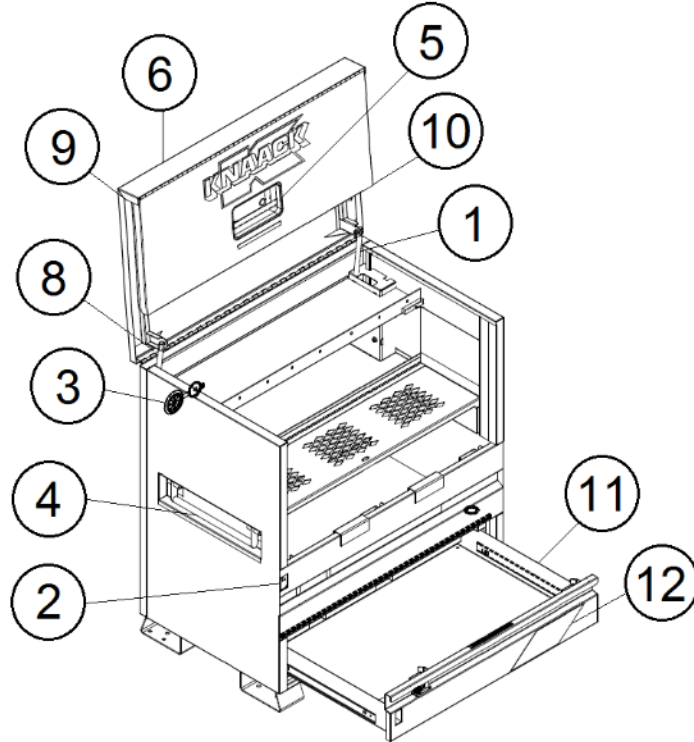
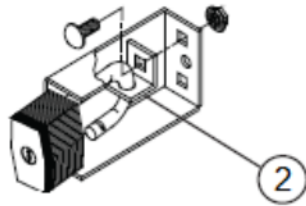


JOBSITE EQUIPMENT

REPLACEMENT PARTS

STORAGEMASTER® Chests
Models 79-D, 79-DH, 89-D, 89-DH

Current Models with
WATCHMAN® IV
 Lock System



ITEM	PART NO.	DESCRIPTION	FITS MODEL
1	952-2PK 977-2PK 921-4PK	Gas Springs (2) Gas Springs (2) Ball Studs & Nuts for gas springs	Models 79-D, 79-DH Models 89-D, 89-DH For Gas Springs
2	7286-1PK	WATCHMAN® IV Lock System	Lock tab with bolt for all current models with deadbolt system
3	70030-1PK	POWER PASS™ Grommet	For WATCHMAN® IV Series Chests starting fall 2007
4	7128	Pipe Handles (2) NOTE: Welding Required	17" handle for Models 79-D, 79-DH, 89-D, 89-DH
5	7288	Cover Handle	WATCHMAN® IV STORAGEMASTER® Chests
6	7338 7339	Cover NOTE: Welding Required, Cover hinge included	WATCHMAN® IV Series cover for Model 79-D, 79-DH WATCHMAN® IV Series cover for Model 89-D, 89-DH
7	495 505 516 600 695 992	4" Accessory Casters (4) 5" Accessory Casters (4) 6" Accessory Casters (4) 6" Accessory Casters (4) 6" Accessory Casters (4) Caster Mounting Bolt Kit	Load Rating 1600 lbs., 2" wide wheels Load Rating 1240 lbs., 1-1/4" wide wheels Load Rating 2240 lbs., 2" non-marking wheels Load Rating 3280 lbs., 2" wide wheels Load Rating 2600 lbs., 2" wide wheels All STORAGEMASTER® Chests
8	70046 70047	Cover Hinge NOTE: Welding Required Cover Hinge	WATCHMAN® IV with 3-point latch for Models 89-D, 89-DH WATCHMAN® IV with 3-point latch for Model 79-D, 79-DH
9	70049 70050	Offset Hinge NOTE: Welding Required Offset Hinge	WATCHMAN® IV with 3-point latch for Models 89-D, 89-DH WATCHMAN® IV with 3-point latch for Model 79-D, 79-DH
10	70111	Cover Catch	Models 79-D, 79-DH, 89-D, 89-DH
11	70264 70266	Drawer for 79-D & 79-DH Drawer Spring for 79-D, 79-DH	79-D, 79-DH 79-D, 79-DH
12	70289	Junk Trunk™ Decal	79-D, 79-DH, 89-D, 89-DH
13	953-1CN	Aerosol Paint (12 oz.)	Genuine KNAACK® Tan trademarked color

Learn more about jobsite storage we have.