



## INSTALLATION INSTRUCTIONS

### Power Pass™ Grommet

#### WARNING

To prevent electric shock, explosion, fire and/or serious personal injury when using storage chest with:

#### Extension Cord -

- Follow all Extension Cord manufacturer's Warnings and Instructions.
- After removing knock-out, insert Power Pass™ rubber grommet. Do NOT insert extension cord through hole without grommet in place (see figure 3).
- Only use a three-wire extension cord with all three prongs intact. Never remove the round grounding prong.
- Extension cord must be connected to a 120 Volt GFCI protected outlet with proper ground. If GFCI outlet is not available, use an extension cord with GFCI protection built in.
- Check the insulation and plugs of extension cord before using. Do NOT use cord if it is worn or damaged.
- Do NOT overload extension cord.
- Remove extension cord from the Power Pass™ hole before moving or transporting storage chest.
- Only use an extension cord that is rated for outdoor use.

- Do NOT connect extension cord to outlet that also supplies critical safety equipment with power.

#### Cordless Power Tool Battery Chargers -

- See Charger's Owner's Manual for proper use and care of charger and batteries. Follow all Warnings and Instructions provided with your battery charger.
- Place chargers and electrical connections in tray.
- Chargers are Dry location use only. Do NOT expose to liquid, vapor, or rain. Should your charger become wet, Do NOT attempt to use. Unplug extension cord from supply before handling wet charger or cords.
- Only use chargers and batteries that are intact and operating properly.
- Do NOT touch metal prongs when plugging charger into extension cord.
- Keep flammable materials like paper or rags away from charger, cords or connections.
- Do NOT place or attempt to charge lead acid, car type batteries in storage chest.

### TO INSTALL POWER PASS™ RUBBER GROMMET

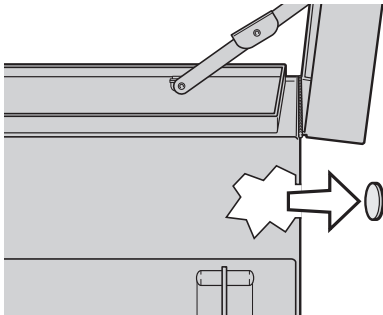


Figure 1, Side View

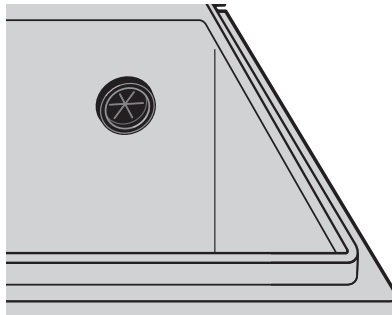


Figure 2, Inside View

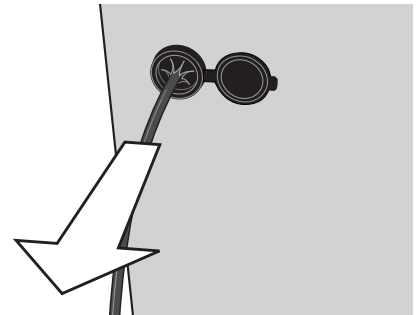


Figure 3, Exterior View

TOOLS REQUIRED- Hammer and flat blade screwdriver.

1. Locate the "knockout".
2. With a screwdriver and hammer, carefully punch out the "knockout" from the inside of the box so that metal ring will fall outside box (figure 1).
3. Place the rubber Power Pass™ grommet from the outside of the box in the hole and be sure that it is properly seated. BE SURE NO SHARP METAL EDGES ARE EXPOSED (figure 2).
4. When passing cords into the box, be sure to always enter box from the rear. After head of cord is in place, slightly pull back 2-3" to ensure weather resistant "star bursts" are facing toward the outside of box (figure 3). Never push the cord from inside the box so that mating plug points are exposed to the environment
5. BE SURE TO FOLLOW ALL ELECTRICAL SAFETY PRECAUTIONS.

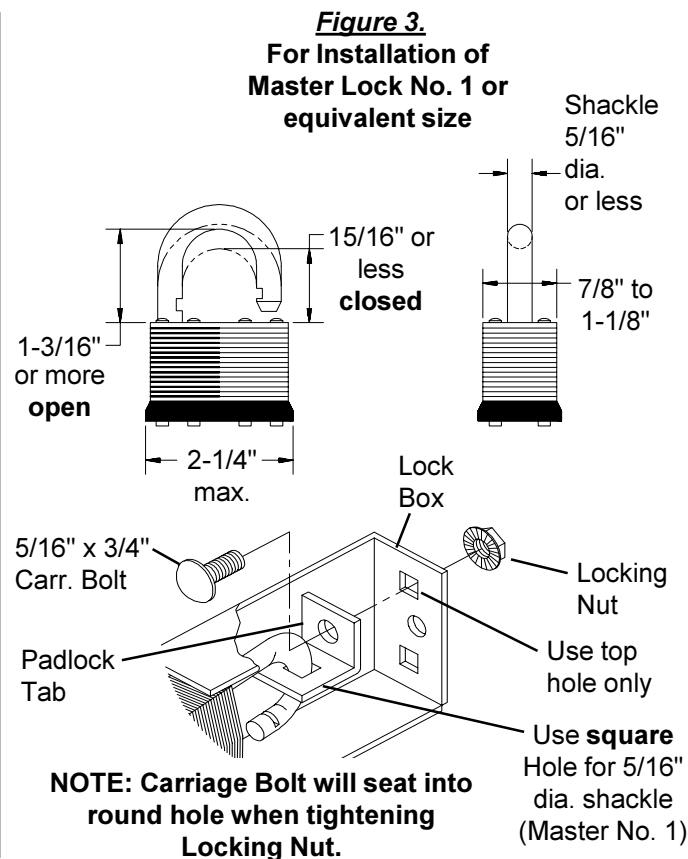
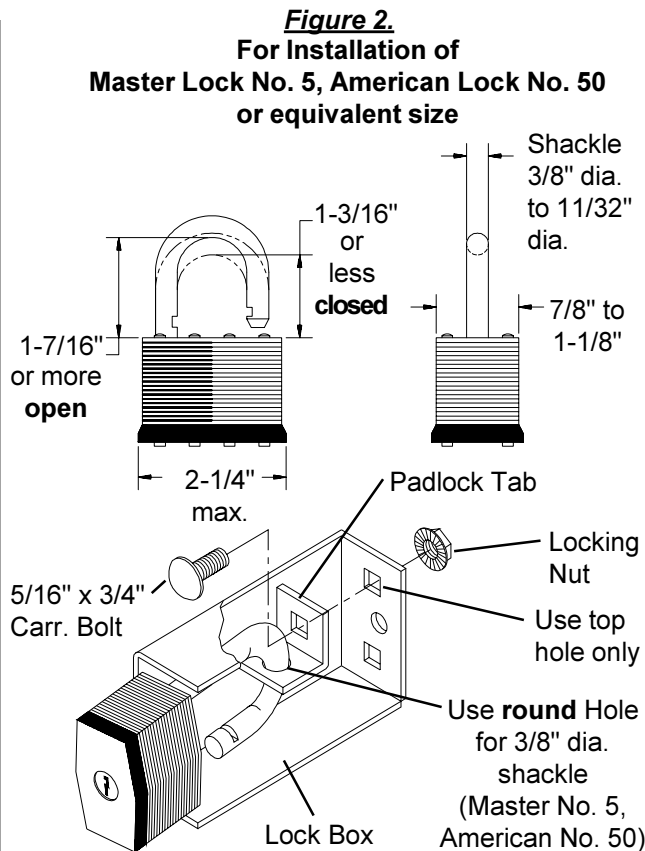
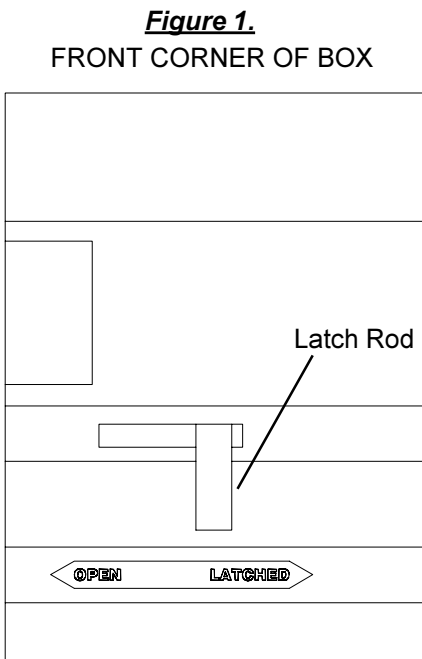


# INSTALLATION INSTRUCTIONS WATCHMAN® IV Lock System

**TOOL REQUIRED** - Ratchet Wrench with 1/2" Socket or 1/2" Combination Wrench

**NOTE:** This lock system is designed to be used with a Master Lock® No. 1, Master Lock No. 5 or American Lock® No. 50, or an equivalent sized lock. If you are using a padlock not listed above, it is your responsibility to make sure the lock mechanism is working correctly. Padlocks must meet ALL requirements listed in Figure 2 or Figure 3.

1. Unbolt the padlock tab using a 1/2" socket or wrench. Place the Latch Rod in "LATCHED" position as shown in Figure 1. Install 5/16" x 3/4" Carriage Bolt into correct hole in Padlock Tab, install Padlock shackle into Padlock tab then secure to Lock Box using Locking Nut. See Figure 2 or 3.



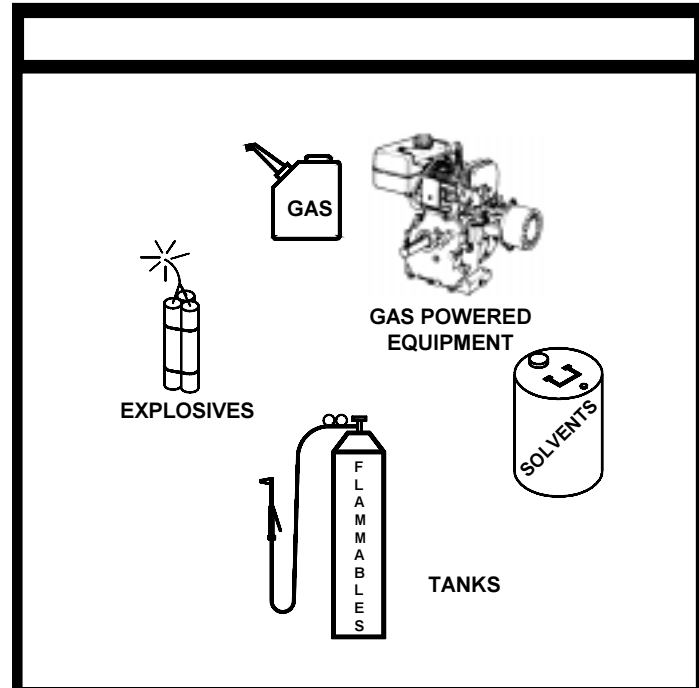
## TEST THE FUNCTION OF YOUR PADLOCK

*(If you have installed one of the padlocks listed above per the instructions, you do not have to perform this test.)*

2. Before locking the padlock, open cover and slide Latch Rod into "OPEN" position. If you are **unable** to move Latch Rod fully to "OPEN" position, the lock you have installed is not acceptable for use, see note above.

3. Close the cover, move Latch Rod to "LATCHED" position. Lock padlock and try to move the Latch Rod to "OPEN" position and open the cover. If you are **able** to move Latch Rod fully to "OPEN" position and open the cover, the lock you have installed is not acceptable for use, see note above.

KNAACK® products are protected by one or more of the following patents or trademarks: U.S. - 6772613, 945736, 4288134, 4290281, 4383721, 5076078, 1182980, 1182981, 1182982, 1182983, 1266140, 1517767, 1560477, 1897535, 260062, 2290111; Canada - 1176681, 280058, 280798, 281398, 283281; U.K. - 2172510, 2233036, 1390299, 1392022; Australia - 754069, 754070; N.Z. - 296048, 296050; other patents pending.



- Do not put fuels, flammables, explosives or hazardous materials inside these products.
- Gasoline, solvents, gun powder or other munitions, dynamite, propane, acetylene or other such products can explode if stored inside these products.
- Use these products **ONLY** for storing and transporting electric or hand tools and equipment, and other similar materials.
- Failure to follow these warnings or modification or other uses of these products could result in death, serious injury or property damage.

**DO NOT PAINT OVER OR REMOVE THIS DECAL**

- NOTICE -

Any modification or unintended use of this product shall immediately void all manufacturers warranties. Manufacturer disclaims all liability for injuries to persons or property resulting from any modification to, or unintended use of this product.