



JOBSITE STORAGE SOLUTIONS

INSTALLATION MANUAL

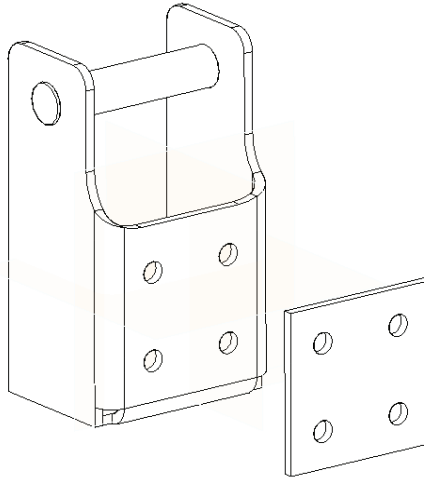
Lift Bracket Accessory

Model 497

ATTENTION: PLEASE READ AND UNDERSTAND ALL INSTRUCTIONS AND WARNINGS BEFORE ASSEMBLING, INSTALLING OR USING THIS PRODUCT.

Load rating: Not to exceed 2,500 Lbs. Including the weight of the unit.

Meets CE and OSHA requirements.



Designed to be used on all KNAACK® Jobsite Boxes except models:

40, 44, 45, 47, 49, 57, 58, 59, 62, 63, 100, 1000, 1010, 1020, 3068

WARNING

Preparing the unit for lifting by crane.

- For SAFE, rigging and lifting practices, refer to ASME B30, Safety for Cableways, Cranes, Derricks, Hoists, Hooks, Jacks and Strings. (See www.asme.org).
- Always inspect the lifting brackets to ensure they are in proper working order and are not damaged or corroded. Replace any damaged brackets prior to rigging.
- Secure doors or lids of box to prevent unwanted opening or spilling of contents.
- Plan route of the lifted box so that it does not pass over persons. Clear area of persons after box is connected and tension is established.
- LIFT ONLY by lifting brackets, DO NOT lift by handles, they are not designed to support heavy loads.
- Rig for lifting using all (4) lifting brackets. The load rating is based on using all (4) lifting brackets.
- Ensure all internal items are secured and not allowed to shift during transport.
- Avoid any sudden jerks or rapid falls while moving the unit by crane.

Failure to comply could result in death or serious body injury.

CAUTION

Prior to drilling to keep debris out of your eyes, always wear protective eye wear. Failure to heed this warning may result in death or serious injury.

– NOTICE –

Any modification or unintended use of this product shall immediately void all manufacturers warranties. Manufacturer disclaims all liability for injuries to persons or property resulting from any modification to, or unintended use of this product.

This accessory is designed for use with KNAACK® Product only. Manufacturer disclaims any liability for use on any product other than KNAACK.

TOOLS REQUIRED

- 9/16" Wrenches or Socket (two)
- Torque Wrench
- Drill Motor
- .406 Dia. Drill Bit (13/32")
- .125 Dia. Drill Bit (Pilot Hole)
- Pencil

PARTS LIST

PARTS LIST:

- 4- Lifting Brackets
- 4- Backing Plates
- 1- Bolt Kit
- 2- Decal, Warning

INSTALLATION INSTRUCTIONS

1. Mount the brackets on the ENDS of the unit, as close to the outside corners and as high up as possible. Place backing plate on the inside surface, making sure your location is not interfering with interior parts such as gas spring guards, angles, etc. (See Fig. 1) Some units will come with pre-punched holes for mounting the lifting brackets. In this case, skip to step 4.

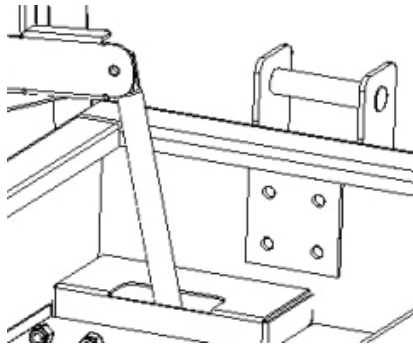


Figure 1 (Piano Box shown)

2. On certain applications, where the cover overlaps the body of the box, verify that the placement of the bracket will not interfere with closing of the cover before drilling. (See Fig. 2)

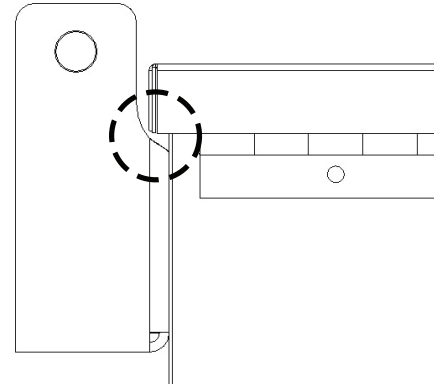


Figure 2 (Piano Box shown)

3. Mark holes and drill using .125 (1/8") Drill bit for a pilot hole, then follow with a .406 (13/32") dia. Drill bit.

4. Mount brackets with fasteners as shown in Fig. 3, and torque to 47 Ft. Lbs. All four brackets must be used.

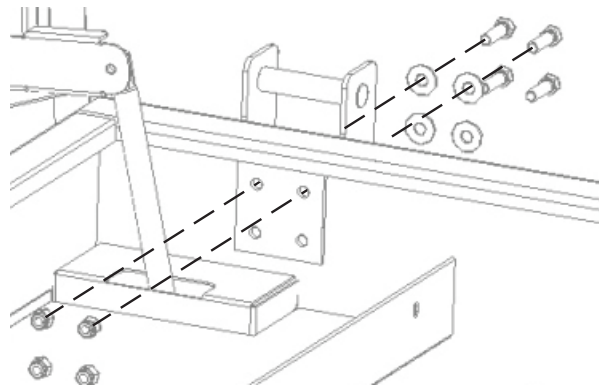


Figure 3 (Piano Box shown)

5. Mount decals on exterior of unit between the bracket as shown in Fig. 4

Refer to ASME B30
for proper rigging
techniques

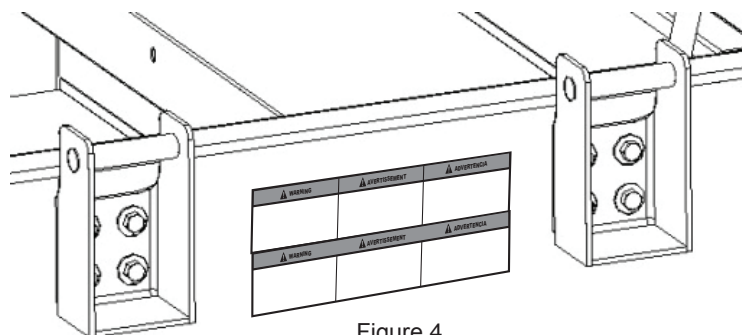


Figure 4