



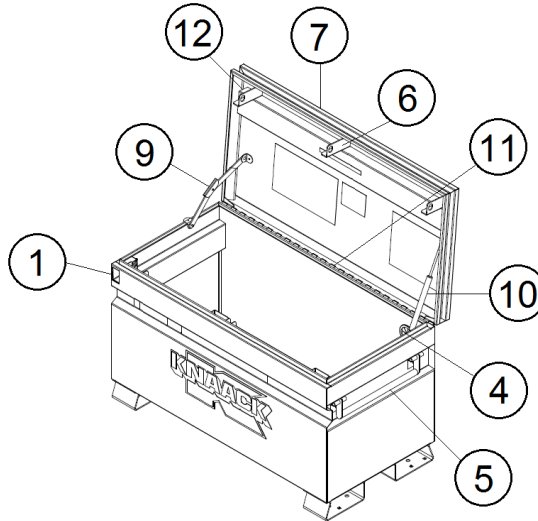
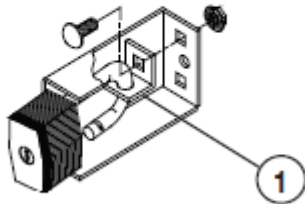
**JOBSITE EQUIPMENT**

# REPLACEMENT PARTS

**JOBMASTER® Chests**

Models 32, 36, 42, 60, 2472, 4824, 4830

Current Models with  
WATCHMAN® IV  
Lock System



ITEM	PART NO.	DESCRIPTION	FITS MODEL
1	7286-1PK	WATCHMAN® IV Lock System	Lock tab with bolt for all current models with deadbolt lock system
2	800-1PK	WATCHMAN® III Lock System	Lock tab with bolt for models made 1989-2000
3	955	WATCHMAN® II Lock System	Lock tab with bolt for models made 1980-1989
4	70030-1PK	POWER PASS™ Grommet	WATCHMAN® IV Chests starting fall 2007, except Models 32 & 36
5	7127 7128 7129	Pipe Handle Pipe Handle Pipe Handle NOTE: Welding Required	Single 12" handle for Models 32, 36, 42 Single 17" handle for Models 60, 2472, 4824 Single 22-1/2" handle for Model 4830
6	7287 15-0001B	Cover Handle Cover Handle	WATCHMAN® IV Series WATCHMAN® III Series
7	70298 70300 70299 70297 70295 70301 70534	Cover Cover Cover Cover Cover Cover Cover NOTE: Welding Required	WATCHMAN® IV Series cover for Model 32 WATCHMAN® IV Series cover for Model 36 WATCHMAN® IV Series cover for Model 42 WATCHMAN® IV Series cover for Model 60 WATCHMAN® IV Series cover for Model 2472 WATCHMAN® IV Series cover for Model 4824 WATCHMAN® IV Series cover for Model 4830 All covers are 3-point latch and will work on 2-point latch chests
8	497	Accessory Crane Lifts (4 brackets)	Models 32, 36, 42, 60, 2472, 4824, 4830
9	70053 70054	Left Cover Support Right Cover Support NOTE: Welding Required	Models 32, 36, 42, 60, 2472, 4824, 4830 Previous versions of Models 60, 2472, 4824, 4830
10	70267	Dampening Spring	Models 60, 2472, 4824, 4830
11	70056 70057 70058 70405 70046 70055 70404-1 70047	Cover Hinge Cover Hinge Cover Hinge Cover Hinge Cover Hinge Cover Hinge Cover Hinge Cover Hinge NOTE: Welding Required	WATCHMAN® IV 2-point & 3-point latching Model 32 WATCHMAN® IV 2-point & 3-point latching Model 36 WATCHMAN® IV 2-point & 3-point latching Model 42 WATCHMAN® III & IV 2-point latching Model 60 WATCHMAN® IV 2-point & 3-point latching Model 60 WATCHMAN® III & IV 2-point & 3-point latching Model 2472 WATCHMAN® III & IV 2-point latching Model 4824, 4830 WATCHMAN® IV 3-point latching Model 4824, 4830
12	70059 70060 7228 70548	Corner Cover Catch Center Cover Catch Cover Tang Assembly Control Bracket Kit for 4830	All WATCHMAN® IV JOBMASTER® Chests WATCHMAN® IV Models 42, 60, 2472, 4824, 4830 All JOBMASTER® Chests Model 4830



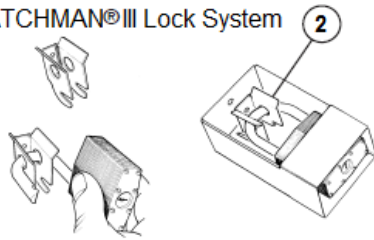
**JOBSITE EQUIPMENT**

# REPLACEMENT PARTS

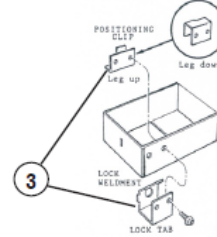
**JOBMASTER® Chests**

Models 32, 36, 42, 60, 2472, 4824, 4830

Previous Models with WATCHMAN®III Lock System



Previous Models with WATCHMAN®II Lock System



ITEM	PART NO.	DESCRIPTION	FITS MODEL
13	495 505 516 600 695 992	4" Accessory Casters (4) 5" Accessory Casters (4) 6" Accessory Casters (4) 6" Accessory Casters (4) 6" Accessory Casters (4) Caster Mounting Bolt Kit	Load Rating 1600 lbs., 2" wide wheels Load Rating 1240 lbs., 1-1/4" wide wheels Load Rating 2240 lbs., 2" non-marking wheels Load Rating 3280 lbs., 2" wide wheels Load Rating 2600 lbs., 2" wide wheels All JOBMASTER® Chests
14	41 21 31 10 11	Accessory Tool Tray Accessory Tool Tray Accessory Tool Tray Accessory Tool Tray, no dividers Accessory Tool Tray with dividers	Models 32, 36, 42 Models 60, 2472, 4824 Model 4830 All JOBMASTER® Chests All JOBMASTER® Chests
15	953-1CN	Aerosol Paint (12 oz.)	Genuine KNAACK® Tan trademarked color

Discover other jobsite storage on our website.