

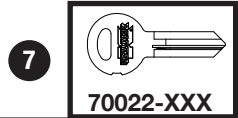


**JOBSITE EQUIPMENT**

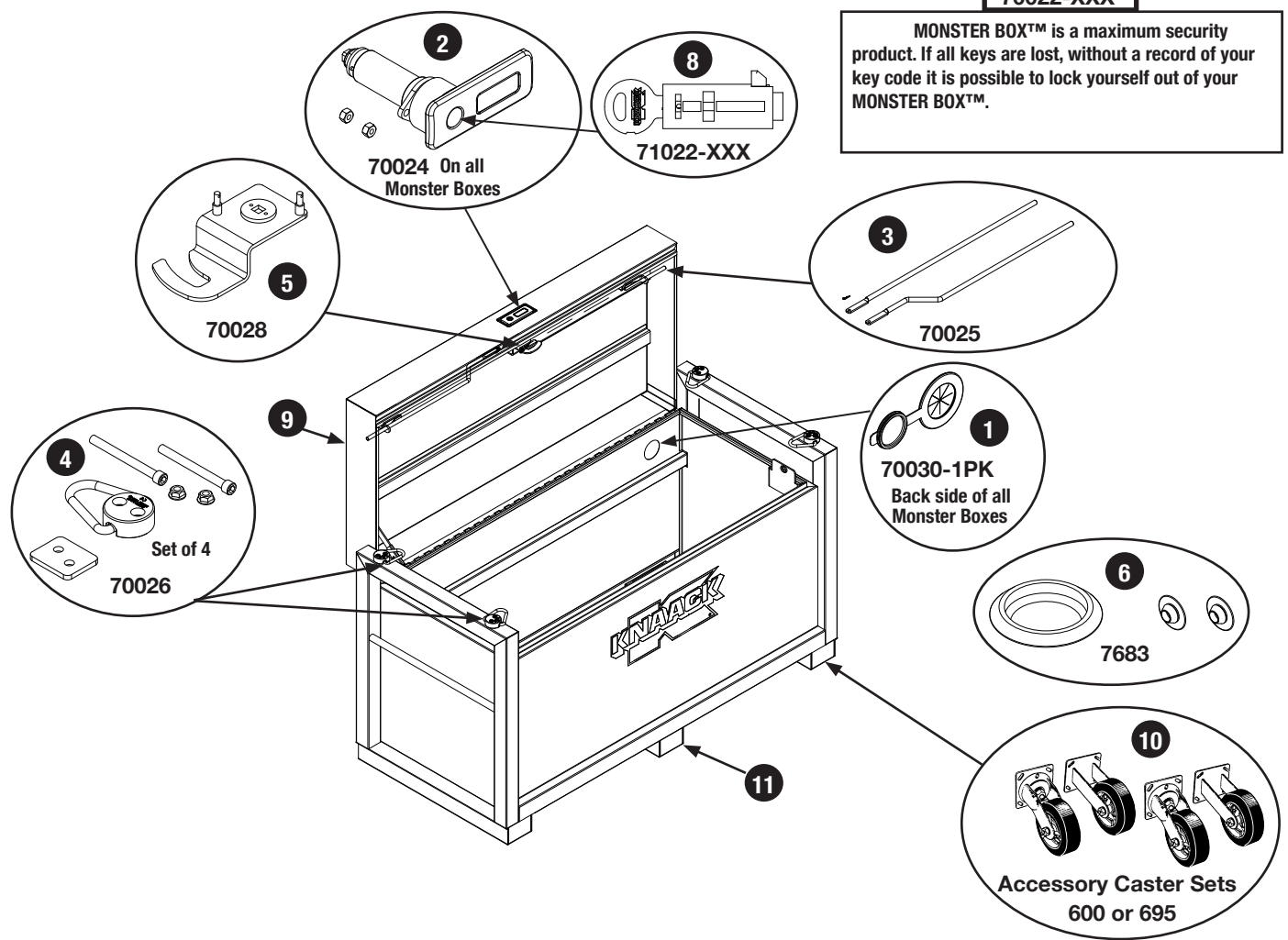
# REPLACEMENT PARTS

**MONSTER BOX™  
MODEL 1010**

**\*NOTE, WELDING BY A CERTIFIED WELDER REQUIRED ON SOME REPLACEMENT PARTS.** The parts noted require welding by a certified welder and some touchup paint over newly welded areas. Knaack LLC assumes no legal responsibility for any welding done outside its factory. All warranties will be voided.



**MONSTER BOX™ is a maximum security product.** If all keys are lost, without a record of your key code it is possible to lock yourself out of your MONSTER BOX™.



ITEM	PART No.	DESCRIPTION	FITS MODEL #
1	70030-1PK	POWER PASS™ Grommet, 1	1000, 1010, 1020
2	70024	Latch Handle	1000, 1010, 1020
3	70025	Latch Rod	1000, 1010
4	70026	Lift Rings, set of 4	Set of 4 fits 1000, 1010, 1020
5	70028	Catch	1010
6	7683	Caps & Plugs Kit	1000, 1010, 1020 as well as other products. Partial contents needed.
7	70022-XXX	Keys, set of 4	1000, 1010, 1020
8	71022-XXX	Lock Cylinder	1000, 1010, 1020
9	70062	Cover <b>*NOTE, WELDING REQUIRED</b>	1010
10	600	Accessory Casters - set of 4	Load Rating 3280 Lbs. Fits 1000, 1010, 1020
10	695	Accessory Casters - set of 4	Load Rating 2600 Lbs. Fits 1000, 1010, 1020
11	7014	Skid <b>*NOTE, WELDING REQUIRED</b>	1000, 1010, 1020
12	953-1CN	Aerosol Paint, 1 can (not shown)	Genuine KNAACK® Tan trademarked color

Learn more about jobsite storage we have.