

KÄRCHER

makes a difference

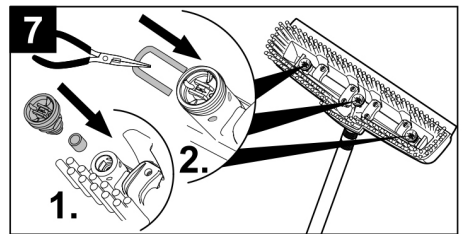
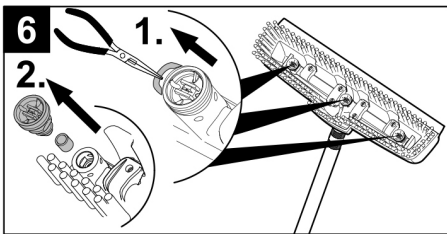
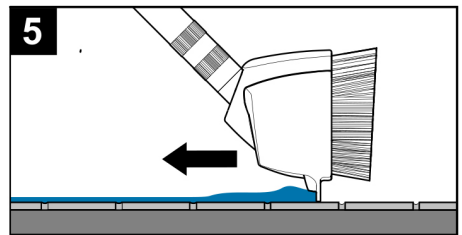
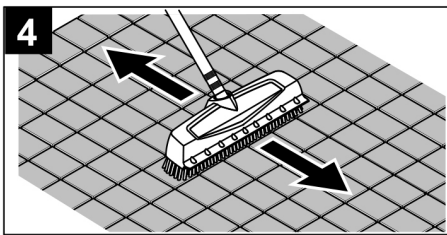
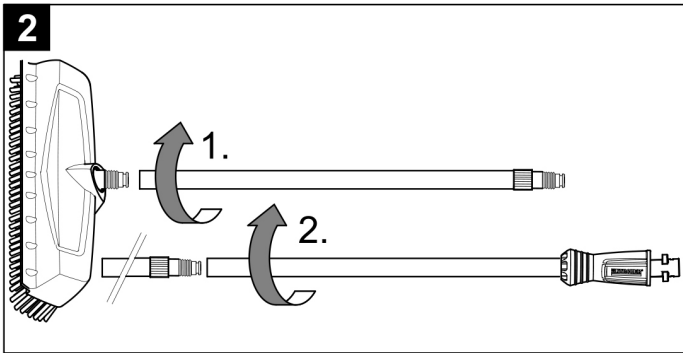
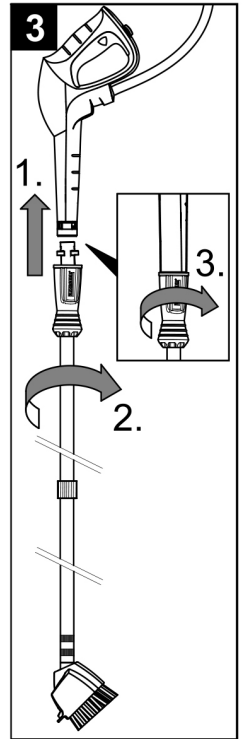
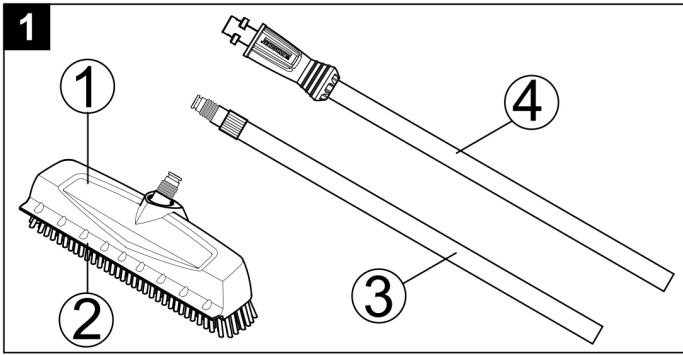
PS 40



Register and win!
www.kärcher.com/register-and-win



59674800 09/16





Please read and comply with these original operating instructions prior to the initial operation and store them for later use or subsequent owners.

General information on the operation

Proper use

The PS 40 Power Scrubber can be used with all KÄRCHER high-pressure cleaners (starting with year of manufacture 1992) up to a pressure of 18 Mpa (180 bar / 2300 psi).

The PS 40 is ideally suited for the high-pressure cleaning and scrubbing of stairs and smooth floor surfaces outside (e.g. wooden or stone floors, clinker, tiles, concrete) as well as of floor surfaces with a water discharge inside (e.g. wash-room, garage).

This attachment has been designed for use in private households and is not intended for commercial use.

Safety instructions

- Please observe the safety instructions of your high pressure cleaner.
- Only trigger the high-pressure jet at the high-pressure gun if the PS 40 is located on the surface to be cleaned.
- There must be no persons in the immediate vicinity of the cleaning head.
- Beware of the recoil force! Ensure a stable position and firmly hold on to the high pressure gun with the extension tube.
- Switch off the high-pressure cleaner when you finish cleaning. If you are using the PS 40, then disconnect the same from the high-pressure gun.
- Maximum water temperature 60 °C (please observe the instructions of your high pressure cleaner).

Environmental protection



The packaging material can be recycled. Please do not place the packaging into the ordinary refuse for disposal, but arrange for the proper recycling.



Old accessories contain valuable materials that can be recycled. Please arrange for the proper recycling of old appliances. Please dispose of your old accessories using appropriate collection systems.

Notes about the ingredients (REACH)

Description of the Appliance

When unpacking the product, make sure that no accessories are missing and that none of the package contents have been damaged. If you detect any transport damages please contact your dealer.

Illustrations on Page 2

Illustration **1**

- 1 PS 40 Power Scrubber
- 2 Pull-off lip
- 3 Extension tube
- 4 Extension tube with safety sleeve/handle

Application

Attaching the extension tubes

Fasten the PS 40 to the high-pressure gun using the extension pipes.

→ Illustration **2**

- 1 Screw the extension pipe (3) all the way onto the thread of the PS 40 screws.
- 2 Connect the extension pipe (4) to the extension pipe (3).

→ Illustration **3**

- 1 Press the extension pipe (4) into the bayonet catch of the high pressure gun.
- 2 Turn it by 90° until it locks into place.
- 3 Firmly turn the safety sleeve onto the high pressure gun.

Note: In the unpressurised state, the extension tube can be aligned to the PS 40. In the high-pressure mode the extension tube is fixed.

Cleaning floor surfaces

Illustration **4**

- Place the PS 40 onto the surface to be cleaned.
- Switch on the high-pressure cleaner and pull the lever of the high-pressure gun.

Illustration **5**

- Wet, smooth surfaces can be dried using the built-in pull-off lip.

Troubleshooting

⚠ DANGER

Risk of injury! Always switch off the appliance and pull out the mains plug before care and maintenance work.

High pressure cleaner does not build up the pressure or is vibrating

Check the built-in high-pressure nozzles and filters of the PS 40.

Illustration **6**

- Remove the high-pressure nozzles and filters.
 - 1 Remove the clip.
 - 2 Pull out the high pressure nozzle and filter.
- Clean the filters and high-pressure nozzles under running water.
- Rinse the PS 40 with clear water.

Illustration **7**

- Reinstall the high-pressure nozzles and filters.
 - 1 Insert the high pressure nozzles with the filter.
 - 2 Reinsert the clip.

Care and maintenance

Care

Use a moist cloth and clean the PS 40 after use.

Maintenance

The PS 40 is maintenance-free.