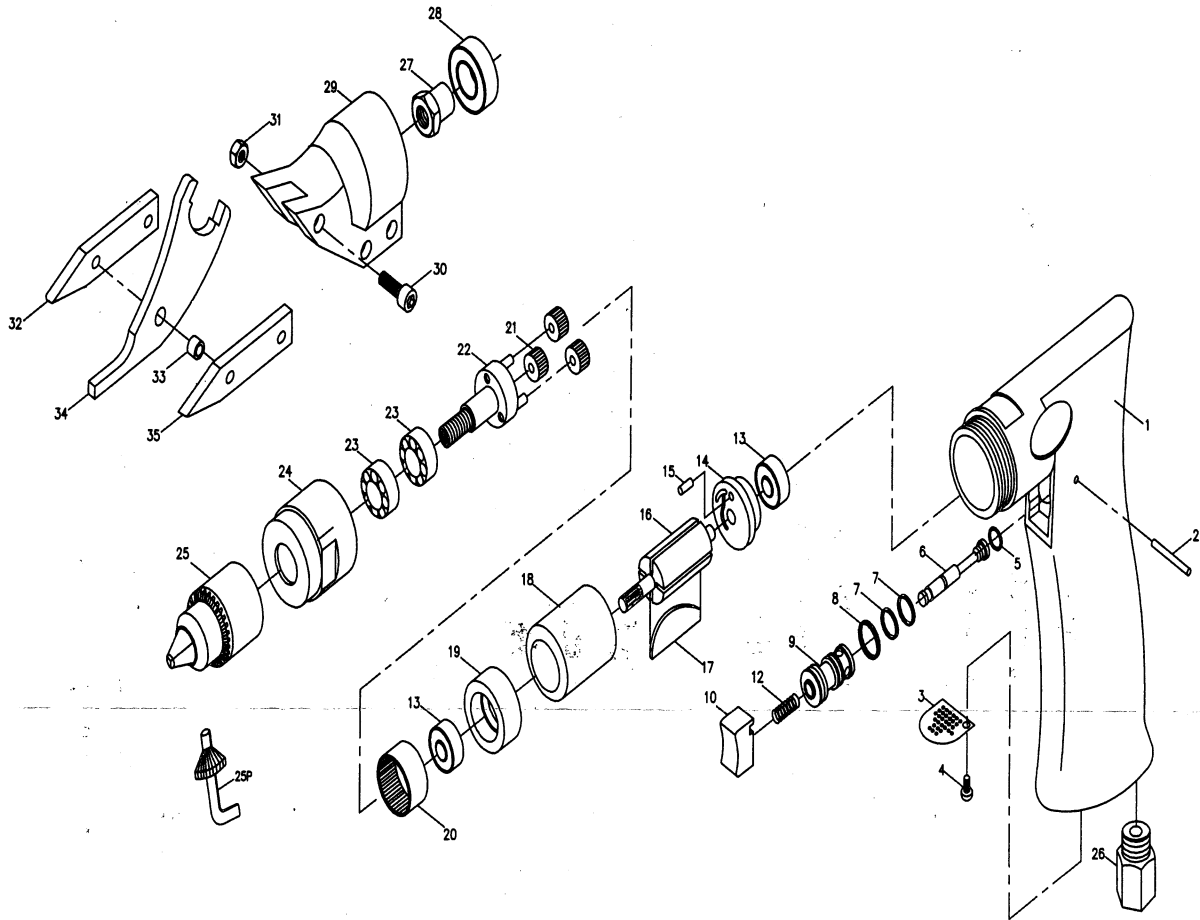




KTI-89218

3/8" AIR DRILL AND METAL SHEAR



Index No.	Part No.	Description	No. Req'd	Index No.	Part No.	Description	No. Req'd
1	127701	Motor Housing	1	20	103327-1GR0	Ring Gear	10
1P	117701-BAA0	Set Screw	1	21A	103323-1GV0	Idler Gear	3
2	P-0025-190	Pin	1	21B	117721-1TT0	Idler Gear	3
3	117703-1AA0	Exhaust Deflector	1	22	103324-2GR0	Idler Gear Plate	1
4	117704-1EA0	Screw	1	23	6201-ZZ0A	Ball Bearing	2
5	O-0380-190	O-Ring	1	24	127724	Lock Nut	1
6	117706-1JB0	Valve Stem	1	24P	103328-AJB0	Washer	1
6P	O-0400-100	O-Ring	1	25	103229	3/8" Drill Chuck	1
7	O-1000-190	O-Ring	2	25P	103329-AAA0	3/8" Chuck Key	1
8	O-1077-262	O-Ring	1	26	107712	Air Inlet	1
9	117709-1AA0	Valve Bushing	1	27	103832-1GR0	Excentric Nut	1
10	117710-1AA0	Trigger	1	28	77R8-ZZ0A	Ball Bearing	1
11	106311-1AA0	Bearing Cap	1	29	103833-1PC0	Cutter Housing	1
12	117711-1AA0	Spring	1	30	116007-1JB0	Lock Screw	3
13	0626-ZZ0A	Ball Bearing	2	31	103834-1AA0	Lock Nut	3
14	107716-1LL0	Rear End Plate	1	32	103836-1AA0	Left Blade	1
15	P-0020-060	Pin	1	33	103837-1AA0	Spacer	2
16	127716-1GR0	Rotor	1	34	103838-1AA0	Center Blade	1
17	106316-1GR0	Rotor Blade	4	35	103839-1AA0	Right Blade	1
18	105317	Cylinder	1	36	103833-1AA0	Cutter Housing Assy. (Inc.27,29-35)	1
19	127719-1LL0	Front End Plate	1				

Learn more about air cutting tools we have.