

Addendum to K-Tool 4-Drawer Utility Cart Assembly Instructions

p/n's: KTI-75140
KTI-75141
KTI-75142
KTI-75143
KTI-75145

Required tools:

- 3/8" or 1/2" ratchet with 13mm socket
- Phillips screwdriver

It is recommended the following tools also be utilized:

- Rubber mallet
- 12mm wrench
- 13mm wrench
- Ratchet extension
- Ratchet universal joint



Notes of Emphasis:

- Carefully read all assembly instructions before beginning.
- Keep different carriage bolts (M8x16 and M8x20) with matching nuts separated.
- Two of the eighteen carriage bolts packaged for the casters (M8x20) will be used in step 5 to attach the cart handle. These bolts are 4mm longer than the bolts (M8x16) used to assemble the rest of the cart.
- When tightening carriage bolts, make sure the square portion at the base of the threads fits fully into the bolt opening.
- The handle should be installed on the same side of the cart as the casters with the brake.
- Except for the casters, DO NOT TIGHTEN nuts until all components are attached and properly aligned, then tighten fully (after step 5).

Step 2

Pay attention to the assembly of the four corner frames. When attaching to the bottom shelf, the middle hole of the corner frame should be closer to the lower side of the assembly.



Step 5

Use (2) of the longer carriage bolts (M8 x 20) to secure the cart handle. These are the same bolts as used to secure the casters.

Step 6

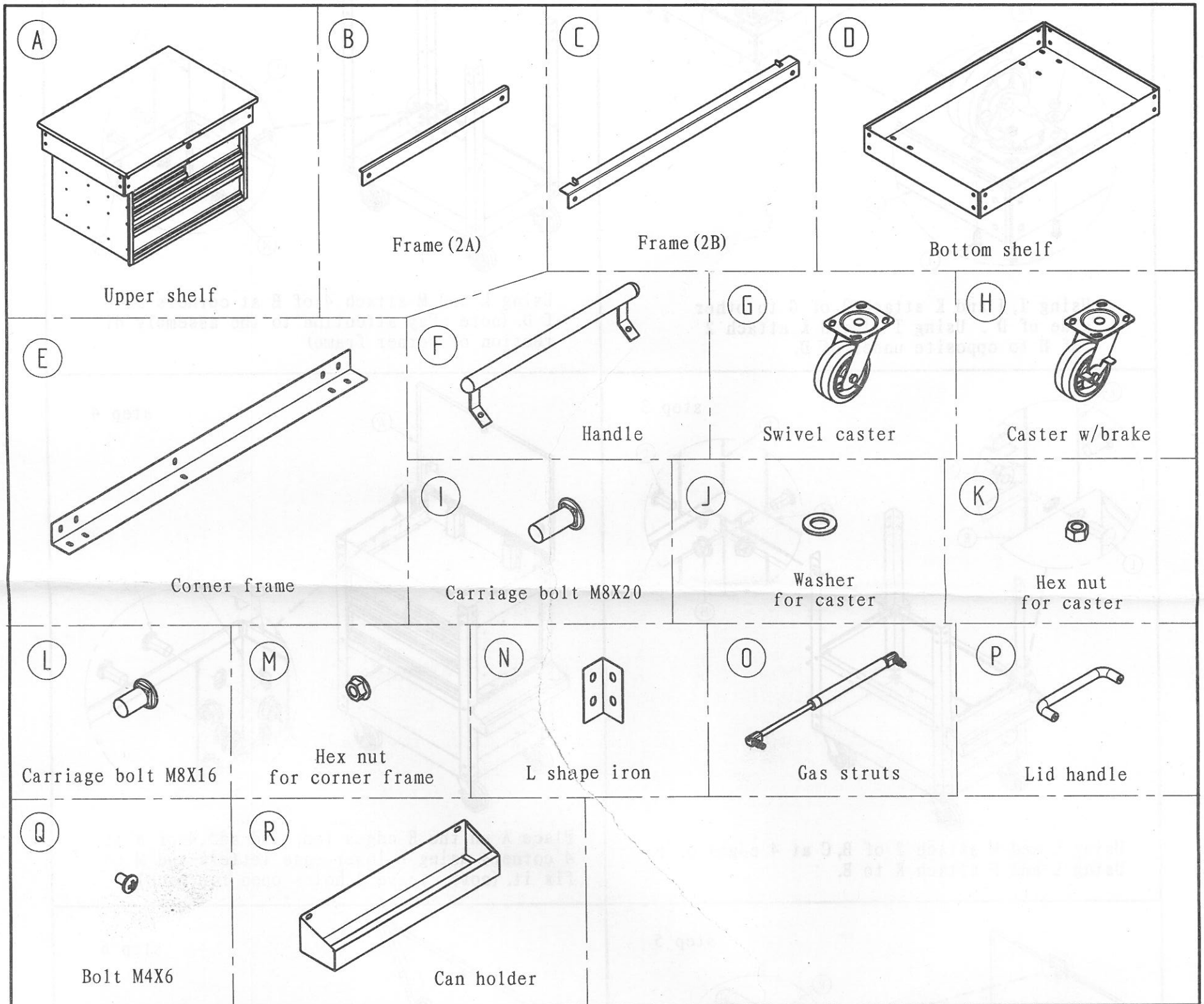
A 12mm wrench is useful in this step to hold the inside nut on the gas strut while tightening the outside 13mm nut.



5-DRAWER TOOL CART ASSEMBLY INSTRUCTIONS

Carefully unpack and spread out all parts in a large uncluttered area. Familiarize yourself with all parts and compare them with the drawing below to make sure none are missing. Read all assembly instructions before beginning

PARTS LIST :



Item	Description	Q' ty	Item	Description	Q' ty	Item	Description	Q' ty
A	Upper shelf	1	G	Swivel caster	2	M	Hex nut	40+2
B	Frame (2A)	2	H	Caster w/brake	2	N	L shape iron	4
C	Frame (2B)	2	I	Carriage bolt M8X20	18+1	O	Gas struts	2
D	Bottom shelf	1	J	Washer for caster	16+1	P	Lid handle	1
E	Corner frame	4	K	Hex nut for caster	20+1	Q	Bolt M4X6	2
F	Handle	1	L	Carriage bolt M8X16	38+2	R	Can holder	1

TOOLS REQUIRED : #2 and #3 phillips screwdrivers
13mm wrench or socket for caster nuts and corner frame nuts

During assembly do not tighten bolts until all components are aligned properly, then tighten fully.

step 1

Using I, J and K attach 2 of G to other side of D. Using I, J and K attach 2 of H to opposite under of D.

step 2

upside downside

1.38" corner frame 1.02"

Using L and M attach 4 of E at corners as of D. (note: Pay attention to the assembly direction of corner frame)

step 3

Using L and M attach 2 of B, C at 4 edges of E. Using L and M attach R to E.

step 4

Place A on the E edges top, and add 4 of N at 4 corners, using L lower case letters and M to fix it. (note: leave 2 holes open for handle)

step 5

Using I and M attach F at the 2 open holes. Using Q attach P at the lid of A. Now you can tighten nuts/bolts fully starting from the bottom to the top.

step 6

Using K attach 2 of O to A.