

Notice

90% of all Air Tool problems are caused by
moisture in air lines

This problem can be avoided by using Air Tool Lubricant
(See "Lubrication" & "Air Supply" sections of this manual)

FAILURE TO OIL can void your warranty



REAR EXHAUST SMALL DIE GRINDER KTI-87125

Operating Instructions, Parts List,
Warranty, & Warranty Repair Center

IMPORTANT! Read carefully before operating this tool. Failure to operate any power tool properly can result in personal injury and/or property damage!

SPECIFICATIONS

Free Speed (RPM)	25,000	Collet Size	1/4"
Air Pressure (PSI)	9.0	Avg. Air Consump.(cfm)	9.6
Hose Size (ID)	3/8"	Length	6 1/8"
Air Inlet (NPT)	1/4"	Shipping Wt. (LBS)	0.8

Safety

1. Make sure the RPM rating of the grinding stones correspond with the manufacturer's recommended speed of the tool. Over-speeding an accessory is dangerous and can cause personal injury.
2. Never take any risks with your eyes. Always wear approved eye protection.
3. Use dust mask. It is advisable, when sanding for extended periods of time, to wear a protective mask. This will help prevent breathing in the fine dust created while cutting.
4. Have throttle in "off" position when connecting to air supply.
5. Disconnect tool before performing service, changing accessories and when not in use.
6. Always use tool a safe distance from other people in work area.
7. Keep tool away from body when it is running. Do not wear loose or ill fitting clothing; remove watches and rings.
8. Secure work with clamps or vise so both hands are free to operate tool. Don't overreach. Keep proper footing and balance at all times.
9. Use proper hose and fitting. Never use quick change couplings attached at tool. They add weight and could fail due to vibration. Instead, add a hose whip and connect coupling between air supply and hose whip, or between hose whip and leader hose.
10. Maintain tools with care. Keep tools clean and oiled for best and safest performance. Follow instructions for lubricating and changing accessories. Wiping or cleaning rags and other flammable waste materials must be placed in a tightly closed metal container and disposed of later in the proper fashion.

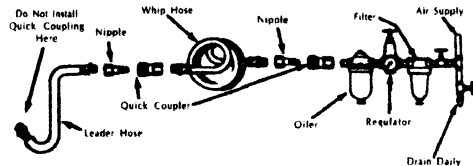
Lubrication

Lubricate the tool daily with a good grade of air tool oil. If no air line oiler is used, run a teaspoon of oil through the tool. The oil can be squirted into the tool air inlet or into the hose at the nearest connection to the air supply, then run the tool. A rust inhibitive oil such as "Marvel Mystery" oil is acceptable for air tools.

Air Supply

Tools of this class operate on a wide range of air pressure. It is recommended that air pressure of these tools measures 90 PSI at the tool while running free. Higher pressure and unclean air will shorten the tool's life because of faster wear and may create a hazardous condition.

Water in the air line will cause damage to the tool. Drain the air tank daily. Clean the air inlet filter screen on at least a weekly schedule. The recommended hookup procedure can be viewed in the illustration below.



The air inlet, used for connecting air supply, has standard 1/4" NPT American Thread.

Line pressure should be increased to compensate for unusually long air hoses (over 25 feet). Minimum hose diameter should be 1/4" I.D. and fittings should have the same inside dimensions.

Operating Instructions

The air regulator (#4) can be used as an air throttle and can be used for setting positive speed control. Turn the air regulator lever up for maximum speed.

The air inlet used for connecting air supply has standard 1/4" NPT thread. Have throttle in "off" position when connecting to air supply. Disconnect tool before performing service, changing accessories and when not in use. Always use tool a safe distance from other people in work area. Secure work with clamps or vise so both hands are free to operate tool. Don't overreach. Keep proper footing and balance at all times.

Warning: Make sure the RPM rating of the grinding stones correspond with the manufacturer's recommended speed of the tool. Over-speeding an accessory is dangerous. This could cause personal injury. **NEVER** use a grinding stone larger than recommended for this size tool.

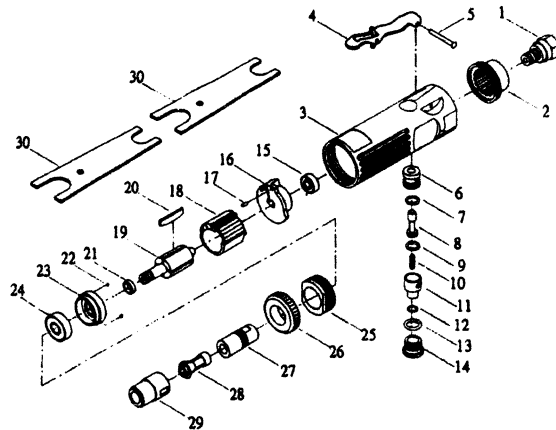
Maintenance

Other factors outside the tool may cause loss of power or erratic action. Reduced compressor output, excessive drain on the air line, moisture or restriction in air pipes or the use of hose connections of improper size or poor condition may reduce air supply. Grit or gum deposits in the tool may cut power and may be corrected by cleaning the air strainer and flushing out the tool with gum solvent oil or an equal mixture of SAE#10 oil and kerosene. If outside conditions are in order and tool is out-of-warranty, disconnect tool from hose, disassemble tool, replace worn or damaged parts, clean, reassemble, and re-lubricate, or take tool to any air tool service center. For tools in warranty period, send tool direct to Warranty Center.

K TOOL[®]

INTERNATIONAL

REAR EXHAUST SMALL DIE GRINDER KTI-87125



No.	Part No.	Description	QTY.	No.	Part No.	Description	QTY.
01	KL-20401	Inlet Bushing	1	16	KL-20416	Rear End Plate	1
02	KL-20402	Exhaust Deflector	1	17	KL-20417	Pin	1
03	KL-20403	Motor Housing	1	18	KL-20418	Cylinder	1
04	KL-20404	Throttle Lever	1	19	KL-20419	Rotor	1
05	KL-20405	Pin	1	20	KL-20420	Rotor Blades	4
06	KL-20406	Valve	1	21	KL-20421	Washer	1
07	KL-20407	O'Ring	1	22	KL-20422	Ball	2
08	KL-20408	Throttle Valve	1	23	KL-20423	Front End Plate	1
09	KL-20409	O'Ring	1	24	KL-20424	Ball Bearing	1
10	KL-20410	Spring	1	25	KL-20425	Retainer	1
11	KL-20411	Air Regulator	1	26	KL-20426	Housing Cap	1
12	KL-20412	O'Ring	1	27	KL-20427	Spindle	1
13	KL-20413	O'Ring	1	28	KL-20428	Collet	1
14	KL-20414	Valve Screw	1	29	KL-20429	Collet Nut	1
15	KL-20415	Ball Bearing	1	30	KL-20430	Wrench	2

Learn more about air tools and compressors we have.