



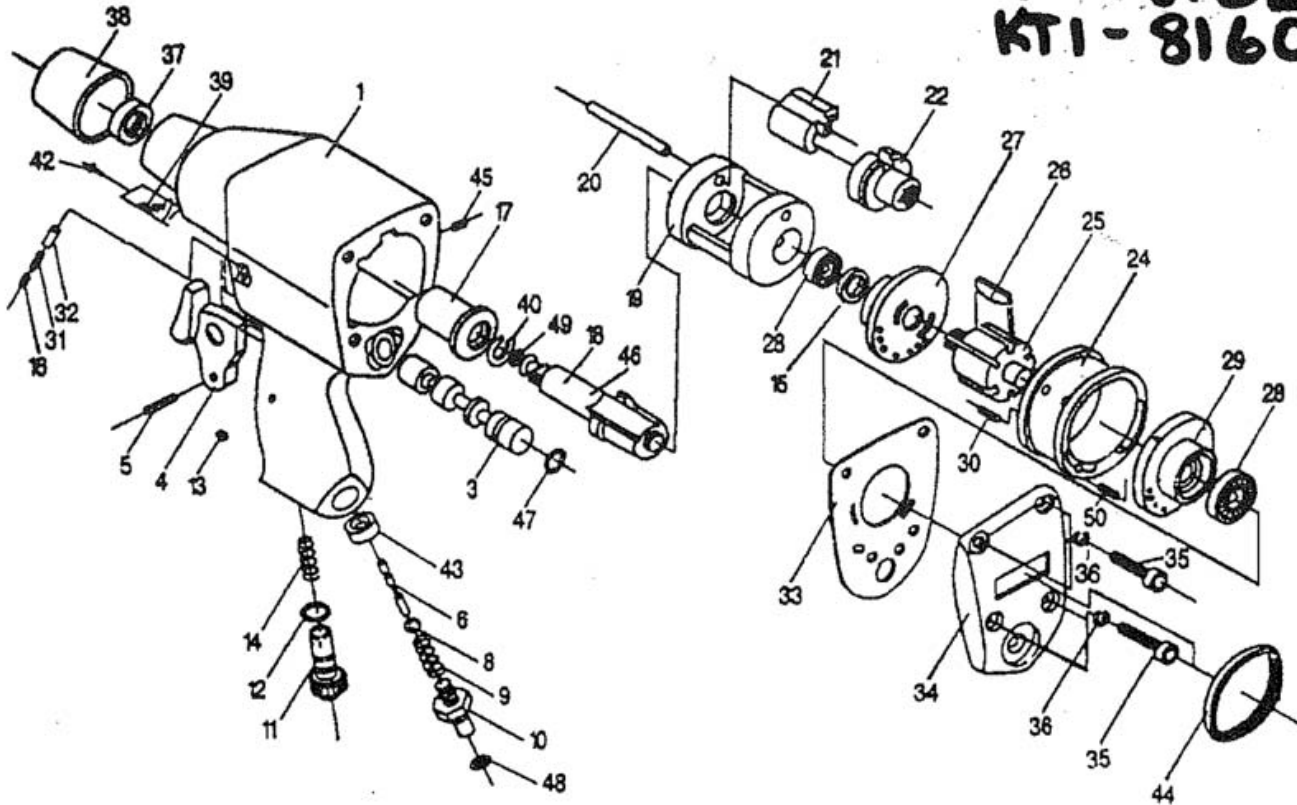
KTI-81626

1/2" IMPACT WRENCH

KTI-81622

KTI-81620

KTI-81606



REF #	PART#	DESCRIPTION
1	811001	Housing
3	811003	Reverse Valve
4	729439	Trigger
5	729006	Pin
6	811006	Valve Stem
7	729448	Seal
8	811008	Steel Ball
9	811009	Spring
10	811010	Hose Adapter\
11	811011	Air regulator
12	811012	Seal
13	811013	Screw
14	811014	Spring
15	811015	Seal
16	811016	Screw
17	811017	Anvil Bushing
18	811018	Anvil (1/2" Sq.)
19	811019	Hammer Cage
20	811020	Hammer Pin
21	811021	Hammer Dog
22	811022	Drive Cam

REF #	PART#	DESCRIPTION
23	811023	Pin
24	811024	Cylinder
25	811025	Rotor
26	811026	Rotor Blade (6)
27	811027	Front End Plate
28	811028	Ball Bearing (2)
29	811029	Rear End Plate
30	811030	Pin (2)
31	729434	Spring
32	811032	Pin
33	811033	Rear Gasket
34	811034	Rear Cover
35	811035	Screw (4)
36	811036	Washer (4)
37	811037	Seal
39	811039	Exhaust Deflector
40	1013129	Anvil Collar and Seal
42	811042	Screw (2)
43	811043	Bushing
45	811045	Screw
46	811046	2" Ext. 1/2" Anvil

38 811038 Rubber Nose Guard

WARNING!
90% of all Air Tool Returns are caused by FAILURE TO OIL. This can be avoided by using Air Tool Lubricant. FAILURE TO OIL will Void all Warranties.